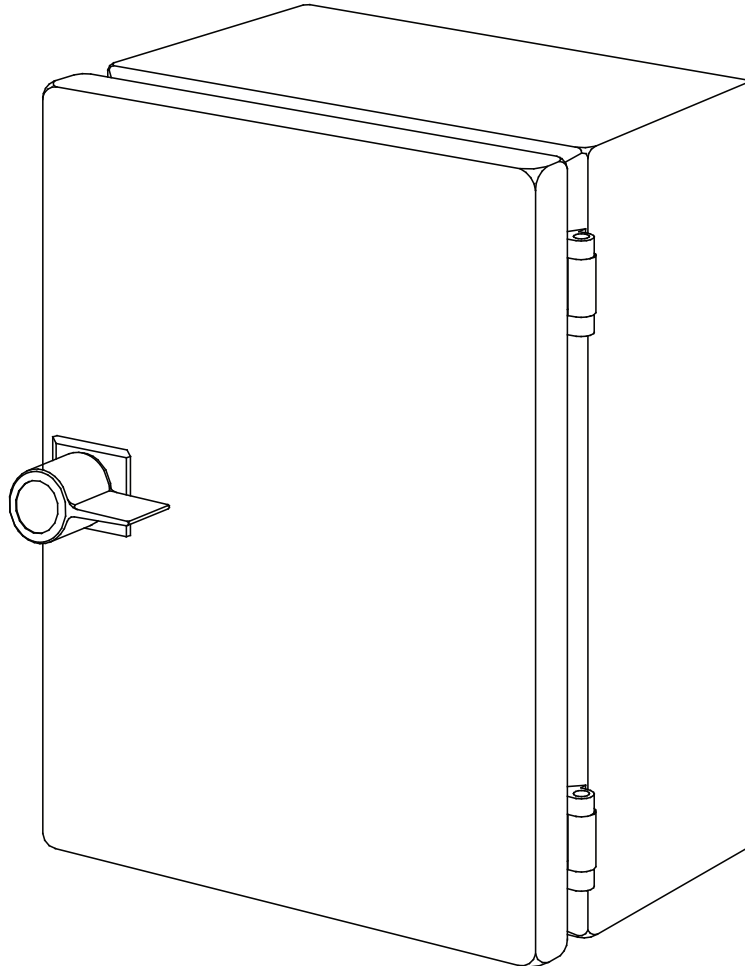
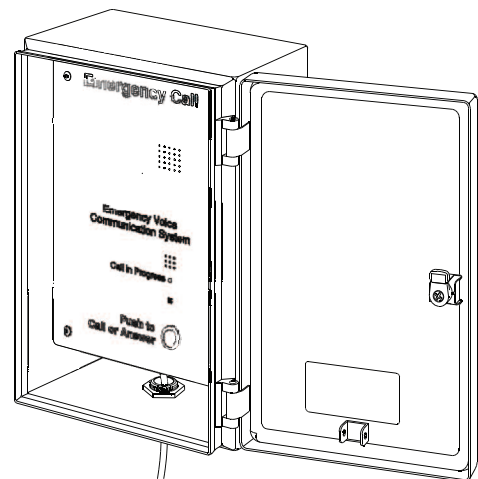


BF359/1 IP66 Enclosure

Installation Instructions



Typical application showing a unit fitted inside the BF359/1 IP66 enclosure.



IMPORTANT

THIS SECTION MUST BE READ PRIOR TO THE INSTALLATION OF THIS PRODUCT

This equipment must only be installed by a suitably skilled and technically competent person. No responsibility can be accepted by the manufacturer or distributors of this product for any misinterpretation of an instruction, or guidance note, or for the compliance of the system as a whole.

Overview

The BF359/1 IP66 Enclosure may be used to house various units requiring accessibility and IP66 protection. Example units include (but are not limited to) the EVC302 Type B Outstation and the EP210 Remote Status Unit.

Please note the BF359/1 is only protected to IP66 if it is correctly installed in accordance with these instructions and the enclosure manufacturer's recommendations.

The BF359/1 must be sited indoors and **MUST NOT** be subjected to conditions likely to affect its performance, such as damp, salt air, water, extreme temperatures, physical abuse, etc.

Accessories supplied with the BF359/1

- Handle (Type SZ 2533)
- Mounting plate (stainless steel)
- Four M4 screw sets (for fixing the internal unit's base to the mounting plate)
- Four M6 x 10 head screws and washers (for fixing the mounting plate in the base of the BF359/1)
- Plastic plug (for insertion into the breather hole)

Fit the handle (Type SZ 2533)

Disassemble the existing locking mechanism on the front door of the BF359/1. See Figure 1 below.

Fit the SZ 2533 handle (supplied with accessories) to the front door of the BF359/1 and reassemble. See Figure 2 below.

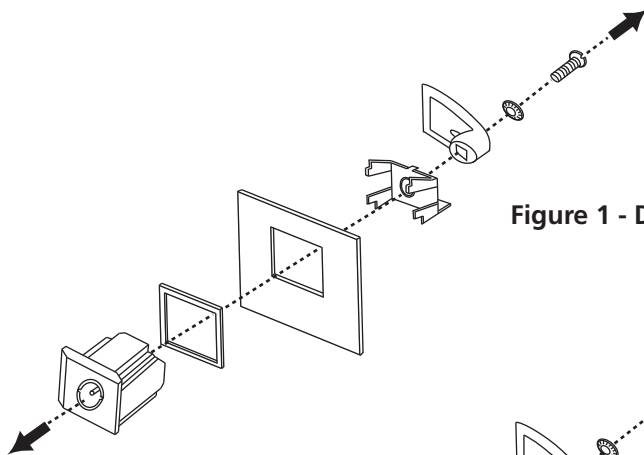


Figure 1 - Disassembly of existing locking mechanism

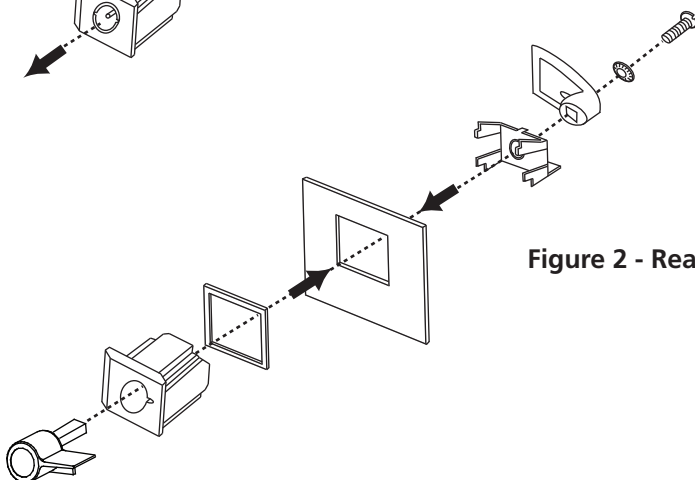


Figure 2 - Reassembly of new handle

Cut hole in bottom of the BF359/1

Cut a 20mm hole in a central position in the bottom of the BF359/1. See Figure 3 below.

Note: Do not cut holes in the top or sides of the box, otherwise water will collect around the holes and eventually seep through and cause corrosion.

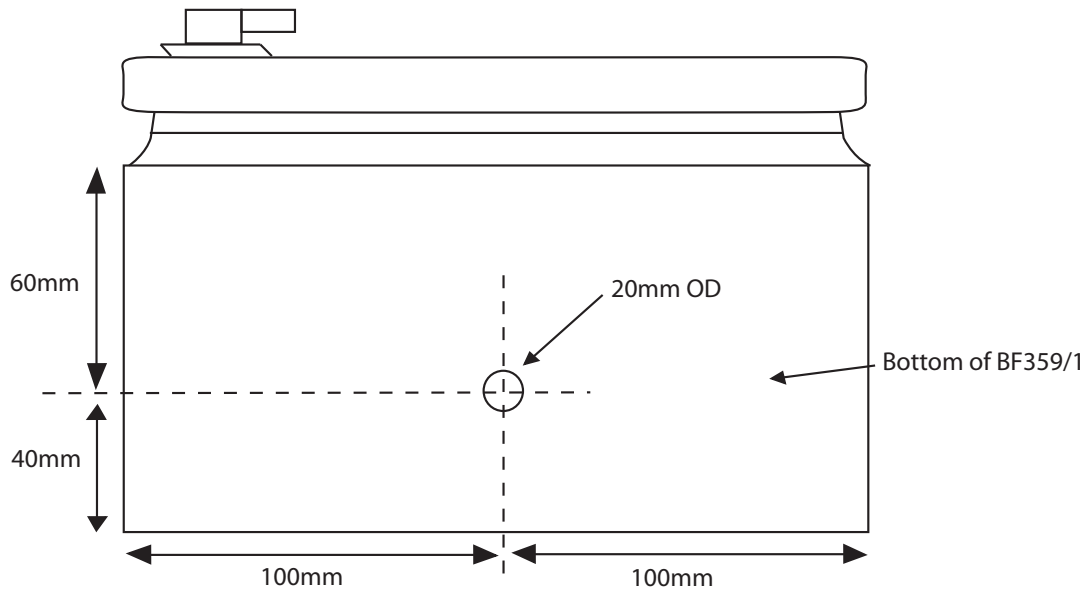


Figure 3 - Bottom hole

Location and fixing

The BF359/1 is a surface-mounted enclosure with four mounting holes provided. It should normally be wall-mounted on a flat surface, 0.9 to 1.2 metres above the floor, where it is easily accessible and free from obstruction.

Fix the BF359/1 to a wall using four No.8 screws and wall plugs (or similar). Use silicone sealant and penny washers to exclude moisture ingress. See Figure 4 right.

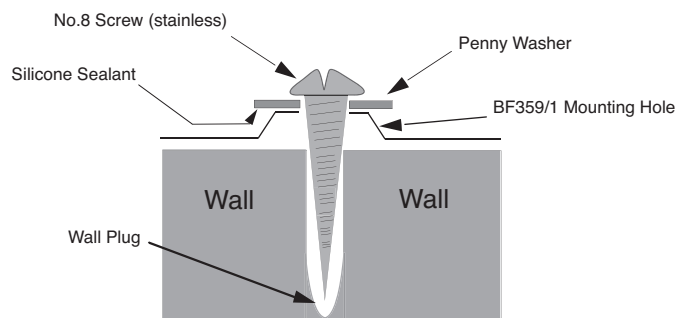


Figure 4 - Fixing screw

Fit conduit

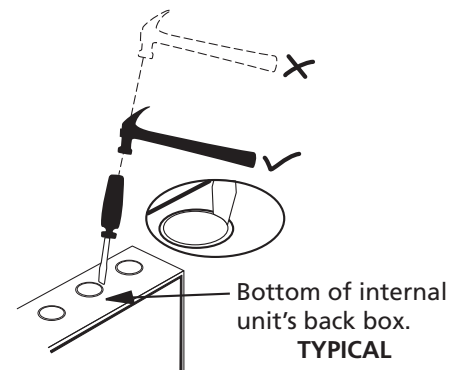
Fit conduit to the hole in the bottom of the BF359/1. See Figure 5, page 4.

Cable entry

Typically, all cables should be fed into the bottom of the internal unit's back box via knockouts provided on the back box. Remove one knockout from the centre, bottom of the back box.

Note: Knockouts should be removed with a sharp, light tap using a flat 6mm broadsided screwdriver, typical example shown right.

Fit a good quality 20mm blind grommet in the knockout removed. Make a small incision in the grommet for the cable to enter. The incision should be smaller than the cable so there is no ingress.



Fixing the back box to the mounting plate

Drill holes in the stainless steel mounting plate (supplied with accessories) to suit the internal unit's back box. Bolt the internal unit's back box onto the mounting plate using M4 screw sets (supplied with accessories). See typical example Figure 5, page 4.

Be aware, when mounting the back box onto the mounting plate allow adequate clearance for connection to the BF359/1's earth stud. This is especially relevant when fitting surface mount units into the BF359/1.

Fit the mounting plate

Fit the stainless steel mounting plate (complete with the mounted internal unit) into the base of the BF359/1 using the four threaded mounting holes provided. Secure the plate in position using four M6 x 10 head screws and plain washers (supplied with accessories). See Figure 5 below.

Cable termination

Terminate the wiring as per the internal unit's installation instructions.

Please note we recommend that field wiring tails of sufficient length are left inside the internal unit's back box to ensure adequate connection to its terminals.

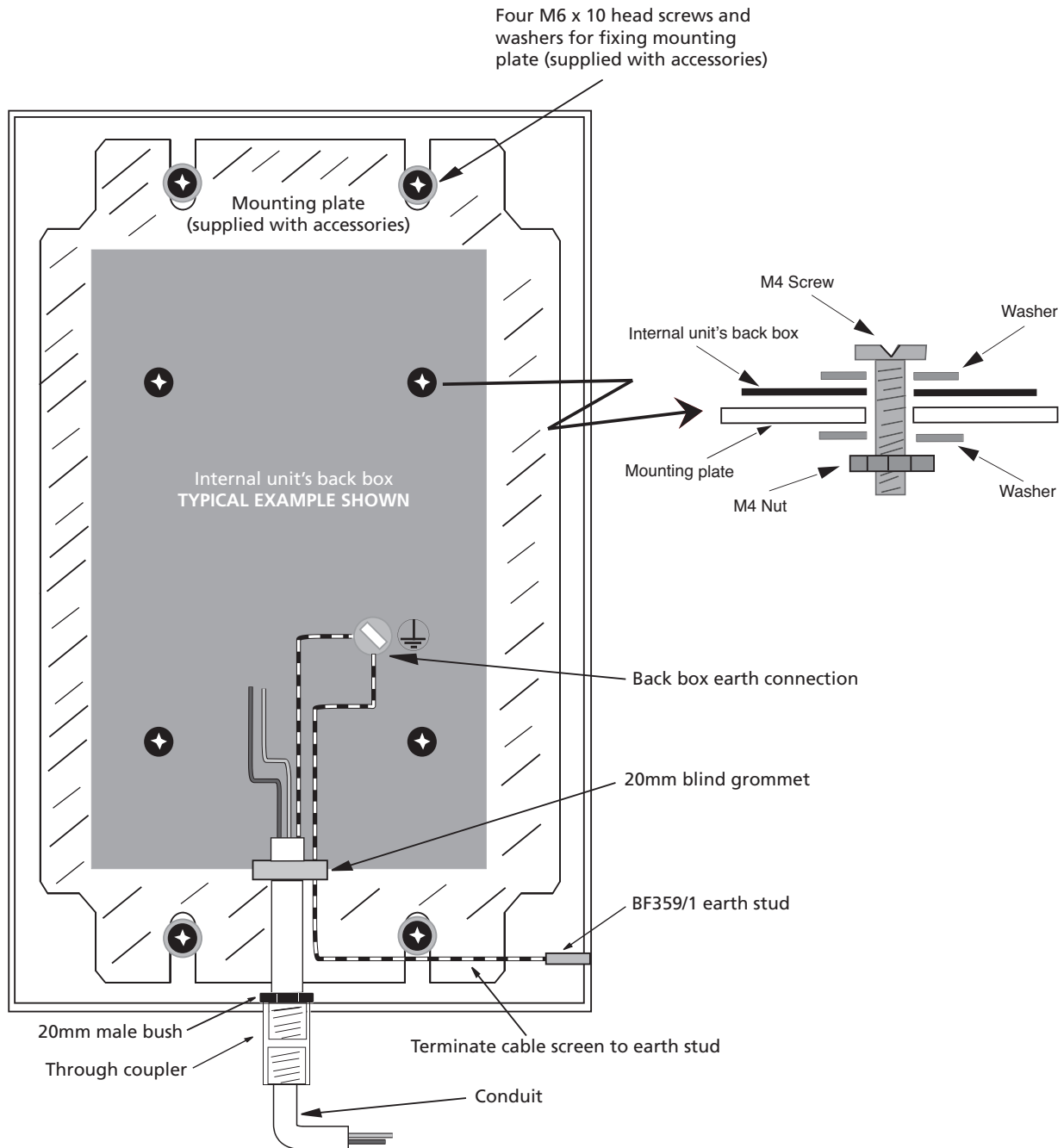


Figure 5 - Example Final Assembly

Errors and omissions excepted. The manufacturer's policy is one of continuous improvement and we reserve the right to alter product specifications at our discretion and without prior notice.