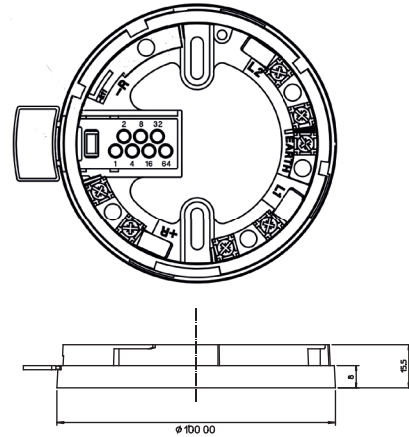


XP95 I.S. Mounting Base



XP95 I.S. Mounting Base dimensional drawing



Product overview

Product	XP95 I.S. Mounting Base
Part No.	45681-215

Approvals

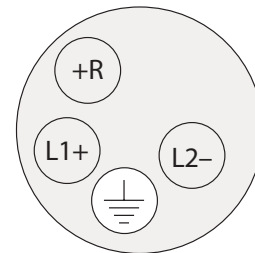


Product information

The XP95 Intrinsically Safe (I.S.) Mounting Base is designed to accept only I.S. products. This makes sure that standard detectors cannot be inadvertently fitted to an I.S. System. XPERT address cards are supplied with all bases.

- XPERT card addressing
- One way fit
- Only accepts I.S. detectors

XP95 I.S. Mounting Base terminal connections



TERMINAL	FUNCTION
-R	NEGATIVE LINE TO REMOTE INDICATOR (LED)
+R	POSITIVE LINE TO REMOTE INDICATOR (LED)
L2	SUPPLY 17 TO 28V dc NOT POLARIZED
L1 OUT	SUPPLY S90/XP95 PROTOCOL
⏏	EARTH CONNECTION

Addressing

Universal address cards, known as XPERT cards, are supplied with all bases. Consult the coding guide in the installation instructions to determine which pips are to be removed from the card to give the correct address.

Lay the card on a flat surface, pips down, insert a screwdriver into the slot on the reverse of the pip to be removed and give a firm twist.

When the card is coded insert it into the slot in the side of the appropriate base making sure that the card locks itself into place. As a detector is inserted into the base the remaining pips operate the address buttons on the detector and the detector electronics read the address. An anti-tamper screw in the lid locks the detector to the mounting base.

This page has intentionally been left blank