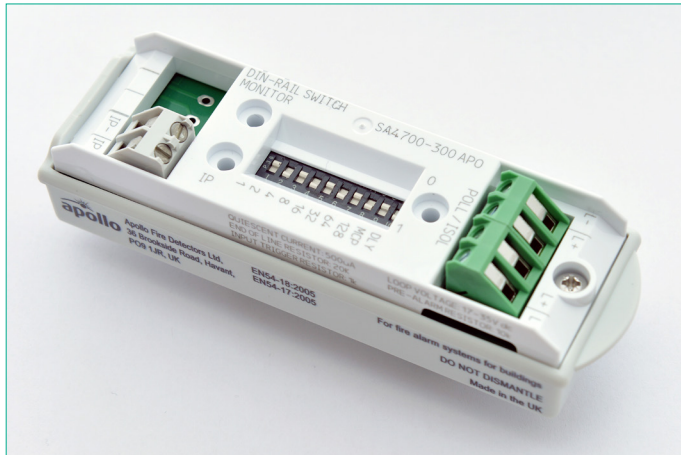


Intelligent DIN-Rail Switch Monitor



Product overview

Product Type	Switch Monitor
Part No.	SA4700-300APO
Digital Communication Protocol	XP95®/Discovery® and CoreProtocol® compatible

Product information

The Intelligent DIN-Rail Switch Monitor is designed to monitor the state of one or more single pole, volt-free contacts connected on a single pair of cables and to report the status. It has a selectable status reporting delay making it suitable for monitoring flow switches.

Refer to Table 1 for digital communications protocol compatibility and Table 2 for the Intelligent DIN-Rail Switch Monitor operating modes.

- Improved design for ease of wiring meaning faster installation
- Contains controllable isolator *
- Address range 1 - 254 *
- Five pre-configured modes, including compatibility mode from XP95/Discovery to CoreProtocol systems *
- Priority mode for first response *
- Configurable input styles *
- Earth fault monitoring *

* Note: CoreProtocol enabled systems feature only, please check with your system partner for availability.

Technical data

All data is supplied subject to change without notice. Specifications are typical at 24 V, +25°C and 50% RH unless otherwise stated.

Supply voltage (Vmin-Vmax)	17-35 V dc
Protocol	5-13 V peak to peak
Power-up surge current	900 µA
Quiescent current	500 µA
Max current LEDs On	2 mA
Max current LEDs disabled	500 µA
Isolator data	Refer to the Short-Circuit Isolation datasheet PP2090
Operating temperature	- 40°C to + 70°C
Humidity	0% to 95% RH (no condensation or icing)
Vibration, impact and shock	EN 54-17 & EN 54-18
Standards & approvals	EN 54-17, EN 54-18, CPR, LPCB, VdS and BOSEC
Dimensions	33 mm height x 102 mm width x 33 mm depth
Weight	46 g

Table 1: Digital communications protocol compatibility

Protocol	Device Behaviour
XP95†/Discovery†	XP95
CoreProtocol†	Soteria

† Fire control panel dependant

Intelligent DIN-Rail Switch Monitor

Table 2: Intelligent DIN-Rail Switch Monitor operating modes*

Mode	Description
1	DIL Switch XP Mode
2	Switch monitor - normal resistance bands with alarm delays
3	Priority switch monitor - normal resistance bands
4	Switch monitor - NC input with alarm delays
5	Priority switch monitor - NC input

* CoreProtocol enabled systems only

Mechanical Construction

The Intelligent DIN-Rail Switch Monitor (see Figure 1) is designed to be mounted on a 35 mm width DIN-Rail inside an enclosure.

CAUTION

Unit Damage. This unit is not designed for outdoor use unless it is mounted in a suitable weatherproof enclosure.

EMC Directive 2014/30/EU

The Intelligent DIN-Rail Switch Monitor complies with the essential requirements of the EMC Directive 2014/30/EU, provided that it is used as described in this datasheet.

A copy of the Declaration of Conformity is available from Apollo on request.

Conformity of the Intelligent DIN-Rail Switch Monitor with the EMC Directive, does not confer compliance with the directive on any apparatus or systems connected to them.

Construction Products Regulation 305/2011/EU

The Intelligent DIN-Rail Switch Monitor complies with the essential requirements of the Construction Products Regulation 305/2011/EU.

A copy of the Declaration of Performance is available from Apollo on request.

Connectivity

Refer to Figures 2, 3 & 4 for unit connection information. Refer to the Installation Guide 39215-164 for the installation instructions on this product. Table 3 details the status indications of this unit, from normal operation through to fault conditions.

Figure 1: Intelligent DIN-Rail Switch Monitor dimensional drawing

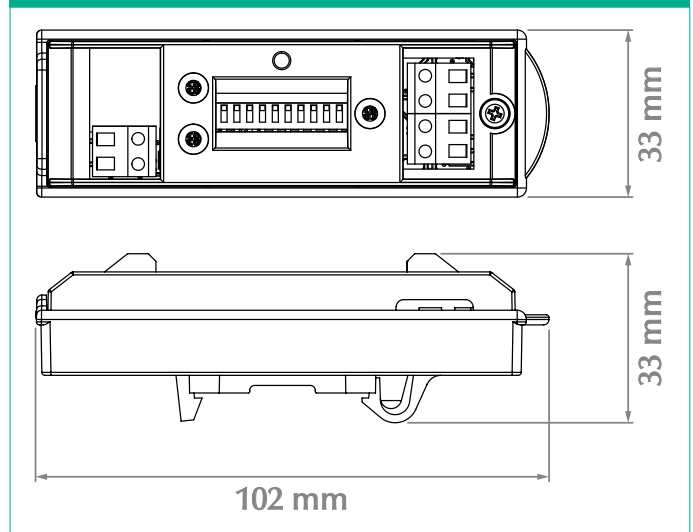


Table 3: Status Indications

Legend	LED Status	Description
Poll/ISOL	Flashing Green	Polling LED
Poll/ISOL	Continuous Yellow	Isolator LED
I/P	Continuous Yellow	Input Fault
I/P	Continuous Red	Input Active

Intelligent DIN-Rail Switch Monitor

Figure 2: Intelligent DIN-Rail Switch Monitor standard resistive monitoring mode connectivity diagram

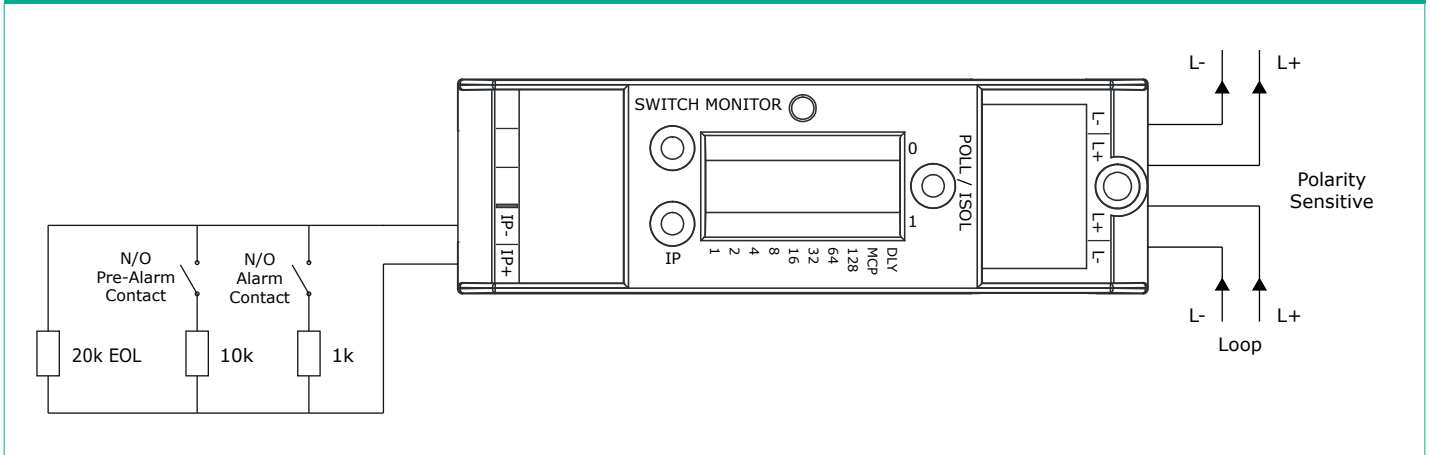


Figure 3: Intelligent DIN-Rail Switch Monitor normally open monitoring mode connectivity diagram (compatible with CoreProtocol only)

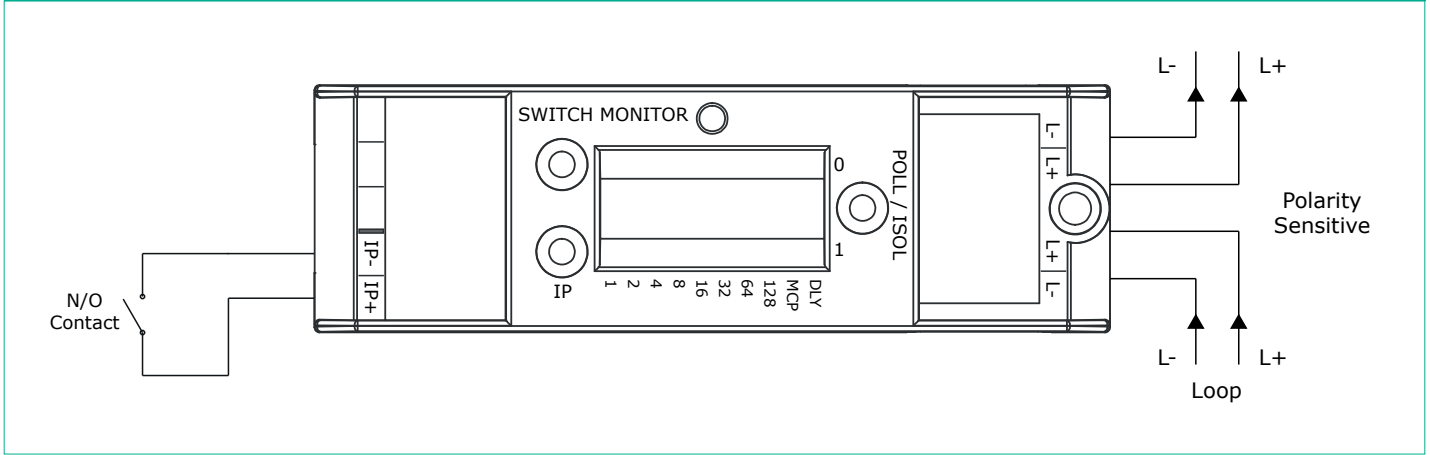


Figure 4: Intelligent DIN-Rail Switch Monitor normally closed monitoring mode connectivity diagram (compatible with CoreProtocol only)

