

Datasheet

RTE-85 Series - All-Active Exit Buttons

Product Description

The RTE-85 range are “all-active” exit buttons manufactured in brushed stainless steel faceplates and are available as flush or surface. They fit on a standard UK back-box.

“All-active” means the complete surface area of the face activates the switch. This is ideal for those who have difficulty targeting a smaller button and is particularly suited for DDA compliance and general high traffic areas.

All models include a heavy-duty microswitch with a common, normally open & normally closed contact. The switches allow the connection of a universal transmitter, integrating it as a wireless device. The exit buttons fit straight into the [RPSS-CUT](#) post.



RTE-85E



RTE-85DL

Key Features

- Large all-active target area to make activation easier
- High quality brushed stainless steel finish
- UK back-box format
- Surface or flush mount
- High impact and high traffic use

 Certification

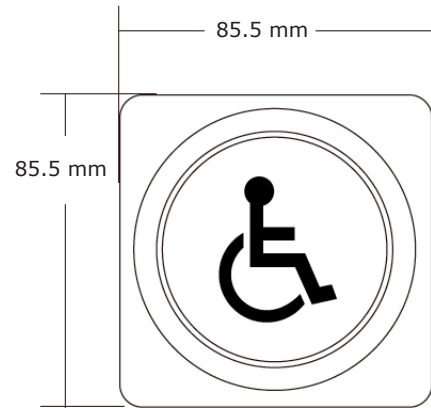
 DEEE

RoHS Certification

 -20°C to 55°C

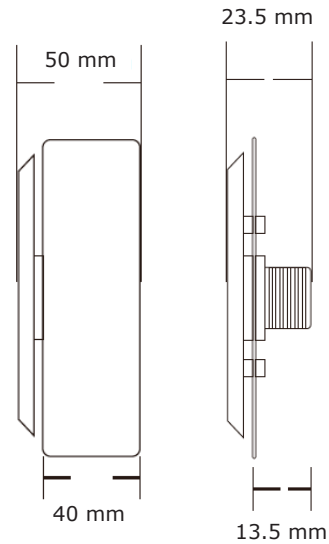
Product Specifications

Material:	304 stainless steel (faceplate)
Mounting:	Flush or surface
Type:	All-active, DDA application
Cycles tested:	1,000,000
Relays:	2 x single-pole double throw
Contacts:	NO/COM, NC/COM
Weight:	Flush: 0.33 kg Surface: 0.43 kg



Electrical Specifications

Power input:	24Vdc
Consumption:	2A (max load)



Range References

RTE-85E	E0901D000068	All-active EXIT logo exit button, surface mount
RTE-85EF	E0901D000065	All-active EXIT logo exit button, flush mount
RTE-85DL	E0901D000069	All-active wheelchair logo exit button, surface mount
RTE-85DLF	E0901D000066	All-active wheelchair logo exit button, flush mount