

Datasheet

RECEIVERS/ RX26-XPL2V - 2-Relay Receiver

Product description

The RX26-XPL2V allows the easy operation and programming of the RX26-XPL whilst increasing the memory to 500 transmitters and adding an IP55 enclosure.

Each relay can be separately configured for pulse, timed or latch modes, with a maximum contact rating of 24VA at 60V. Security is upheld by the use of Keeloq rolling code decryption.

The RX26-XPL2V also comes in 12/24 Vac/dc version (RX26-XPL2P). An input is available for the [SEA433](#) tuned aerial.



Key features


- 2 relays
- Up to 500 transmitter memory capacity
- White housing, black lid
- Keeloq® Hopping Code

 *Certification*

 *DEEE*

 *Certification*

 *IP55*

 *-20°C to 70°C*

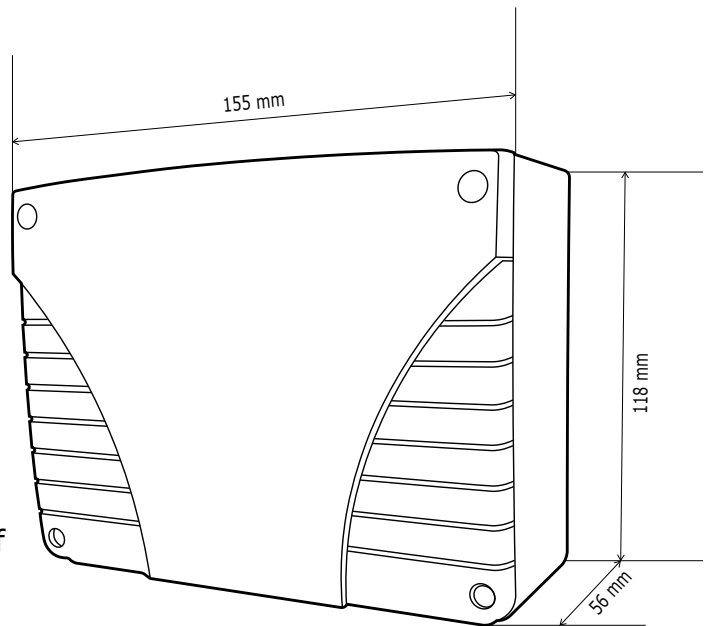
All the information contained within this document (pictures, drawing, features, dimensions, specifications), could be perceptibly different and can be changed without prior notice. - March 2020 - CDVI_RX26-XPL2V_DS_01_EN_A4_C

Product Information

Receiver type: Superheterodyne
Material: Polycarbonate housing
Frequency: 433.92MHz
Modulation: AM/ASK
Encoding: Keeloq® Hopping code
Number of code combinations: 2exp64
Memory capacity: 500 transmitters

Relays

Number of relays: 2
Contacts: 2 x NO/NC
Operating mode: Pulse, step, timed, on-off
Delay: 1sec. to 23h59min



Electrical specifications

Power supply: 230 Vac - 50 Hz
Max power on relay output: 16 A
Consumption: 15 mA @ 230 Vac