

## Datasheet

### RX26-NANO - 1-relay mini receiver

#### Product Description

The RX26-NANO is a small, economical, single channel receiver for standard applications.

The receiver is part of a complete range of radio control and switching products to provide wire-free control of gates, barriers, doors, lights etc.

Standard read range is up to 200 metres. The output relay can be set for PULSE or TIMED mode. The default pulse is 1 second whilst the timed mode can be set from 1 to 30 seconds.



#### Key Features

- Compact miniature receiver
- Momentary operation
- 1 normally open output relay
- Timed and pulse relay operation modes
- Memory for up to 85 transmitters
- Up to 200m read range
- Ideal for wireless control of automatic doors, gates, lights

 Certification

 DEEE

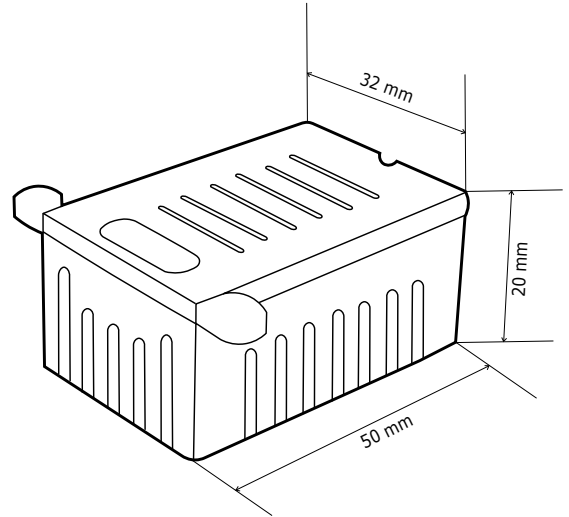
 Certification

 IP2X

 -20°C to 70°C

## Product Specifications

<b>Material:</b>	Polycarbonate housing
<b>Type:</b>	Superheterodyne
<b>Operating mode:</b>	Timed, pulse
<b>Encoding:</b>	KeeLoq® Hopping Code
<b>Frequency:</b>	433.92 MHz
<b>Modulation:</b>	AM/ASK
<b>User limit:</b>	85 transmitter memory
<b>Delay:</b>	1-30 seconds
<b>Code combinations:</b>	2 <sup>64</sup>
<b>Relays:</b>	1
<b>Contacts:</b>	COM/NO
<b>Weight:</b>	0.03kg



## Electrical Specifications

<b>Power supply:</b>	12/24 Vac/dc
<b>Max power on output:</b>	24Vac
<b>Consumption:</b>	30mA