

Datasheet

S4TR2641E - Hand-Held Radio Transmitters

Product Description

The S4 series of transmitters are ideal for automated systems (doors, gates, barriers etc.) and anti-burglar systems, thanks to their high security encoding (KeeLoq® hopping code).

The code sent by the transmitter changes every time it is triggered, making it extremely difficult to intercept. Each product is powered with a changeable battery.

The S4 series offers an ergonomic enclosure with rubber buttons. The handy keyring support is in stylish Zamak® polished chrome.




Key Features

- Hand-held radio transmitters
- Available in 1, 2 or 4 channels
- KeeLoq® Hopping code
- Up to 250m in open field
- Wire-free application

 Certification

 DEEE

RoHS Certification

 RED certification

All the information contained within this document (pictures, drawings, features, dimensions, specifications), could be perceptibly different and can be changed without prior notice. Published: 01 September 2021. CDVI_S4TR2641E_DS_01_EN_A4_C

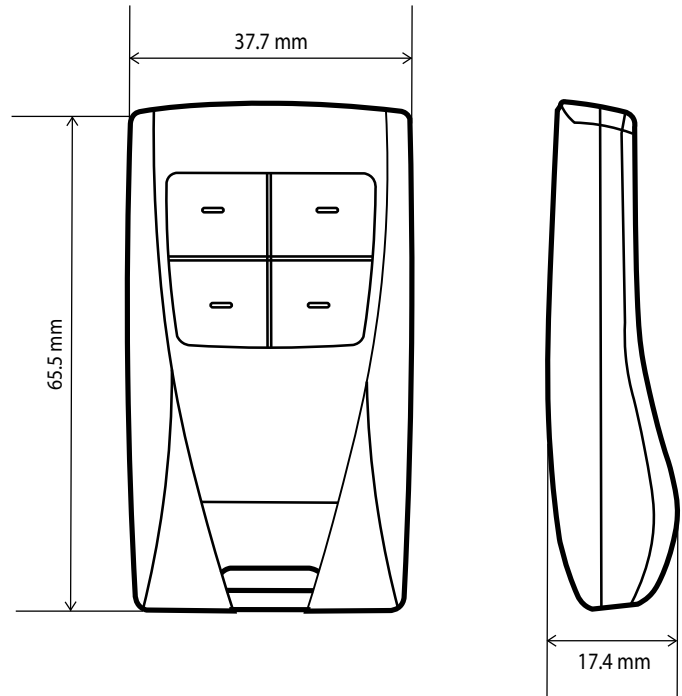
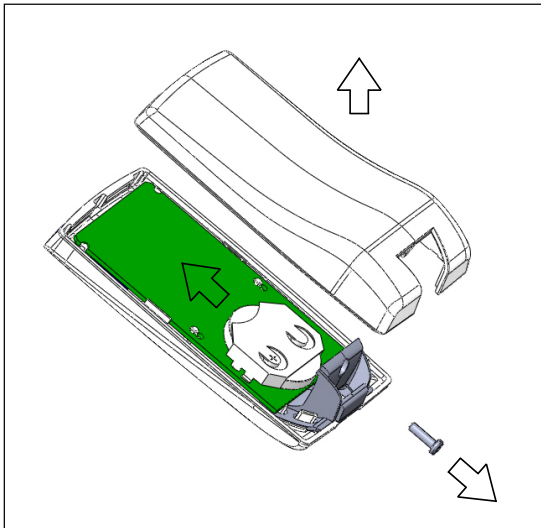
Product Specifications

Material: Bayblend, Rubber, & Zamak
 Frequency: 433.92MHz
 Modulation: AM/ASK
 Technology: Radio
 Protocol: KeeLoq® hopping code
 Weight: 35g
 Timeout: 25 sec.
 Read range: 100-250m

Electrical Specifications

Power input: 3Vdc (CR2032 lithium battery)
 Consumption: 11mA

Battery replacement



Range References

Part-name	Part-number	Description
S4TR2641E1	F1002000101	1-channel S4 Erone Transmitter
S4TR2641E2	F1002000102	2-channel S4 Erone Transmitter
S4TR2641E4	F1002000103	4-channel S4 Erone Transmitter