

Datasheet

DW-4SAFE - Infrared Safety Sensor for Swing Doors

Product Description

The DW-4SAFE sensor is an addition to CDVI's range of sturdy sensors safety sensors for automatic door installations. They are designed to protect users when the door is in the operating cycle.

This infrared door sensor is installed directly on the door and protects users whilst the door is in motion, allowing compliance with the EN16005 standard.

The DW-4SAFE features an intuitive configuration process with time tested infrared feedback that enables the device to detect users who interrupt the door's movement. This creates a safe and efficient automatic entrance.



Key Features

- Infrared door safety detection sensor for swing doors
- 4 infrared detection spots
- Adjustable angle
- Strong and robust ABS construction
- Suitable for internal & external use (weathershield available)
- Ideal for DIGIWAY door operators

 Certification

 DEEE

RoHS Certification

 IP54

 -25°C to 55°C

Product Specifications

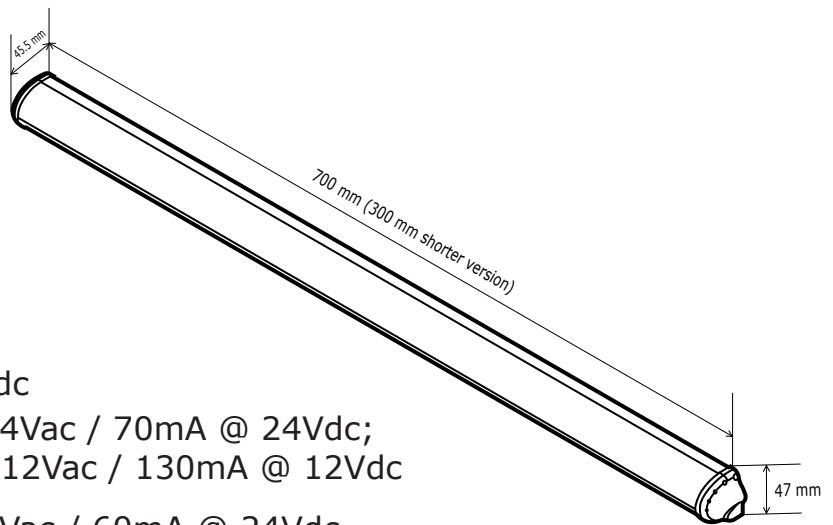
- Material:** ABS, aluminium
Mounting: On door leaf: 1.3m to 3.5m height
Emission range: 400mm (W) x 700mm (D) at 2m mounting height
Technology: Active infrared with background suppression

Output

- Relays:** 2 x NO/COM/NC
Max voltage: 24 Vac/dc
Max current: 1A

Electrical Specifications

- Power input:** 12-24Vac; 12-30Vdc
Consumption: Master: 95mA @ 24Vac / 70mA @ 24Vdc;
 170mA @ 12Vac / 130mA @ 12Vdc
 Slave: 85mA @ 24Vac / 60mA @ 24Vdc
 180mA 12Vac / 113mA @ 12Vdc



Accessories



DW-4SAFE-SRA

Weathershield for DW-4SAFE-S safety sensor



DW-4SAFE-LRA

Weathershield for DW-4SAFE-L safety sensor

Range references

- | | | |
|--------------|------------|------------------------------------|
| E0901D000543 | DW-4SAFE-S | Infrared door safety sensor, 350mm |
| E0901D000544 | DW-4SAFE-L | Infrared door safety sensor, 700mm |