

PE-154BS

PENDANT SPEAKER

The PE-154BS is an EN 54 certified pendant loudspeaker for use in voice alarm systems. The two-way loudspeaker is suitable for announcement and music applications and convinces with a wide frequency range and stylish design. A directly attached, sturdy suspension cable can be extended up to 3 meters.



Article number: PE-154BS
Alternative products: PE-154EN, PJ-154BS

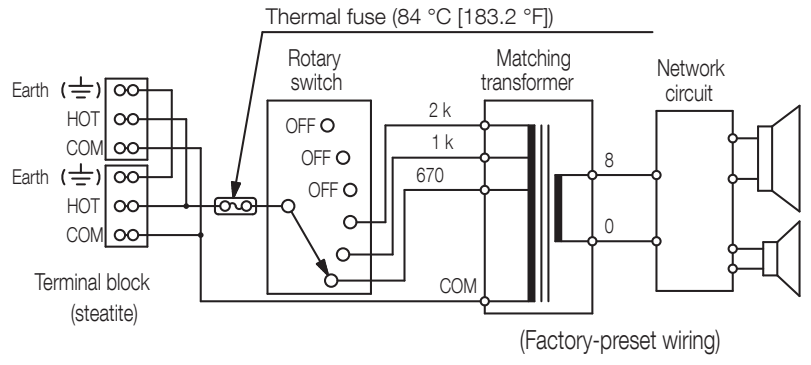
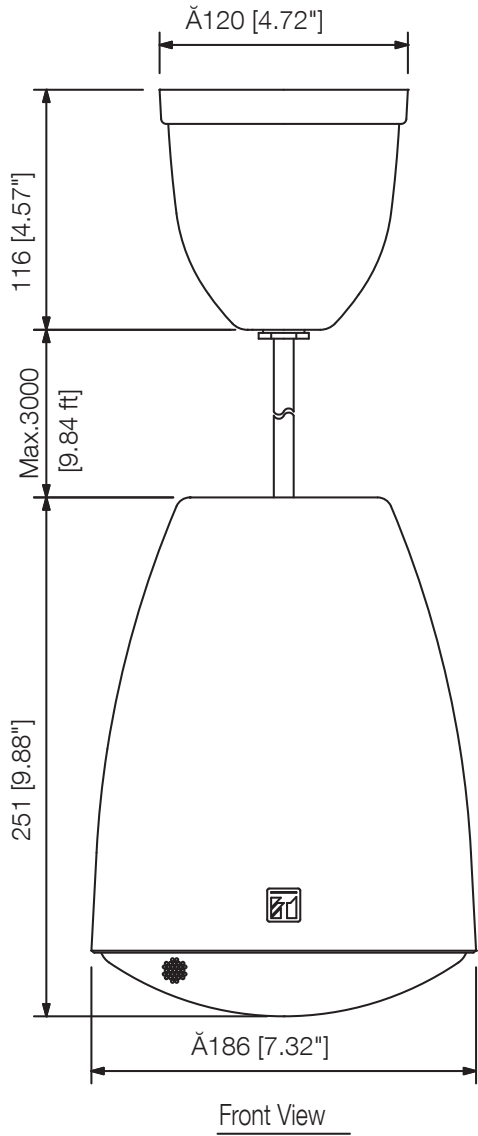
Specifications

Sensitivity (1#V, 1#m)	91 dB (500 Hz – 5 kHz, pink noise)
Frequency response	70 Hz - 20 kHz
Rated input (high impedance)	15 W
Tappings	15 / 10 / 5 W (100 V), 7.5 / 5 / 2.5 W (70 V)
Speaker component	Low: 5" cone-type, High: 1" balanced dome tweeter
Finish	HIPS resin, off-white (RAL 9010 or equivalent),

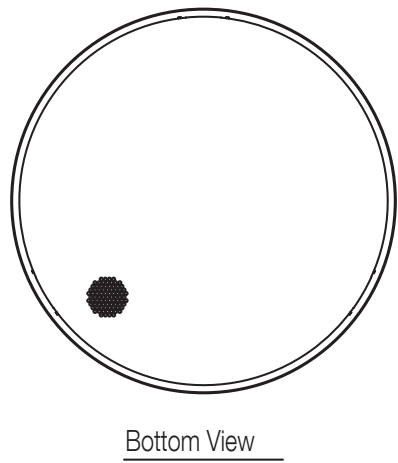
PE-154BS

PENDANT SPEAKER

Appearance



Wiring Diagram



UNIT:mm SCALE:1/4