

F-1300WTWP EB-Q

SPEAKER



Article number: F-1300WTWP EB-Q
 Alternative products: F-1300BTWP EB-Q, F-1300WTWP, F-2000WTWP EB-Q, F-1000BTWP EB-Q, F-1000WTWP EB-Q

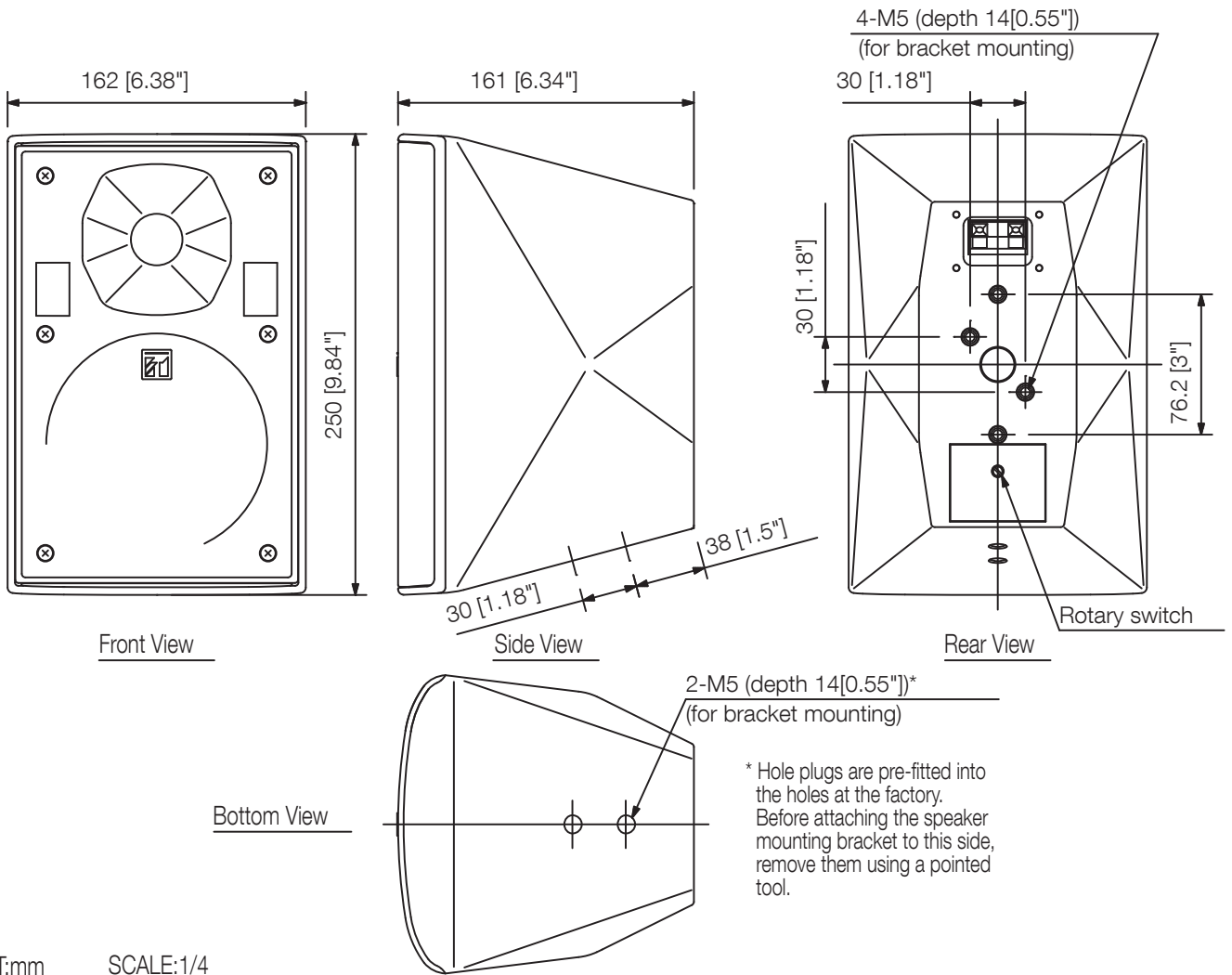
Specifications

Sensitivity (1#V, 1#m)	90 dB
Frequency response	80 Hz - 20 kHz (-10 dB)
Crossover frequency	2000 Hz
Rated input (high impedance)	30 W
Tappings	100 V : 330 Ω (30 W) / 1 kΩ (10 W) / 3.3 kΩ (3 W) / 10 kΩ (1 W) 70 V : 170 Ω (30 W) / 330 Ω (15 W) / 1 kΩ (5 W) / 3.3 kΩ (1.5 W) / 10 kΩ (0.5 W)
Speaker component	Woofer: 13 cm (5") cone-type Tweeter: 25 mm (1") dome tweeter
Finish	HIPS resin, Steel plate, off-white (RAL 9010 or equivalent),
Operating temperature	-10°C to + 50°C

F-1300WTWP EB-Q

SPEAKER

Appearance



UNIT:mm

SCALE:1/4