

VX-050DA

DIGITAL POWER AMPLIFIER MODULE 500W

The VX-050DA is an Digital power amplifier used for the VX-3000 systems which is compliant with the European Standard EN54 for fire alarm systems. It is a module type with 1 channel of class-D digital power amplifier, which contribute to energy-saving and light weight design. The VX-050DA also features standby mode to be set for reducing standby power consumption. It requires a dedicated control units VX-3004F, VX-3008F, VX-3016F and power supply unit VX-3000DS.



Article number: VX-050DA
Alternative products: VX-015DA, VX-030DA

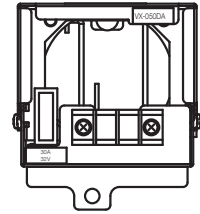
Specifications

Power source	31 V DC operating range: 20 – 33 V DC
Rated output	500 W 100 V
Frequency response	40 Hz - 16 kHz (±3 dB)
Distortion (value)	< 1 %
Power source	31 V DC operating range: 20 – 33 V DC
Rated output	500 W 100 V
Distortion	< 1 % (at 100 V line, A-weighted)
Power consumption	1.3 W (standby mode), 16 W (idle), 100 W (EN 62368-1: 1/8 rated output), 590 W (rated output)
Frequency response	40 Hz - 16 kHz (±3 dB)
Power consumption	1.3 W (standby mode), 16 W (idle), 100 W (EN 62368-1: 1/8 rated output), 590 W (rated output)
S/N ratio	100 dB (or more at 100 V, A-weighted)
Inputs	DA control link (15-pin connector)
Outputs	100 V/70 V/50 V selectable
Number of channels	1
S/N ratio	100 dB (or more at 100 V, A-weighted)
Distortion	< 1 % (at 100 V line, A-weighted)
Finish	Steel plate, surface-treated,

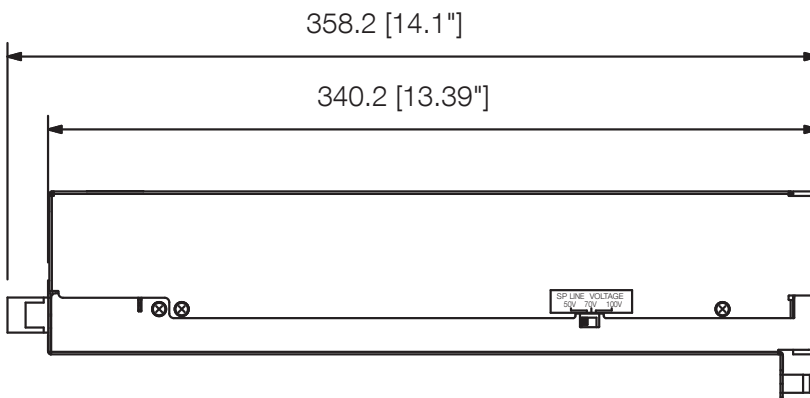
VX-050DA

DIGITAL POWER AMPLIFIER MODULE 500W

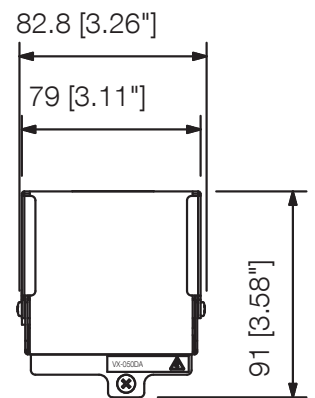
Appearance



Rear View



Side View



Front View

UNIT:mm

SCALE:1/4