

RM-200M

REMOTE MICROPHONE

The RM-200M Remote Microphone connects to the VM-3240VA, VM-3360VA, VM-2120 and VM-2240 for the purpose of making emergency(*3)/general broadcast announcements.



Article number:RM-200M S

Specifications

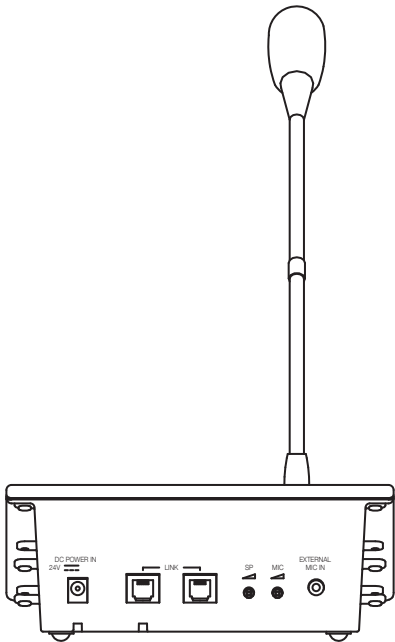
Controls	10 buttons for free assignable functions, microphone volume
Power source	24 V DC (operating range: 14 – 28 V DC)
Frequency response	100 Hz - 20 kHz
Audio output	0 dBV, 600 Ω, balanced
Power source	24 V DC (operating range: 14 – 28 V DC)
Distortion	< 1 %
Current consumption (value)	100,0 mA max.
Frequency response	100 Hz - 20 kHz
S/N ratio	60 dB
Audio output	0 dBV, 600 Ω, balanced
Controls	10 buttons for free assignable functions, microphone volume
Current consumption	100 mA max.
S/N ratio	60 dB
Distortion	< 1 %
Microphone type	Electret condenser microphone
Directivity	Unidirectional
Finish	ABS resin, bluish grey (PANTONE 538 or equivalent),

RM-200M

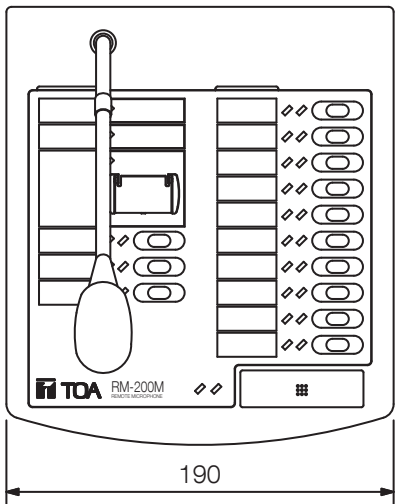
REMOTE MICROPHONE

Appearance

Rear View

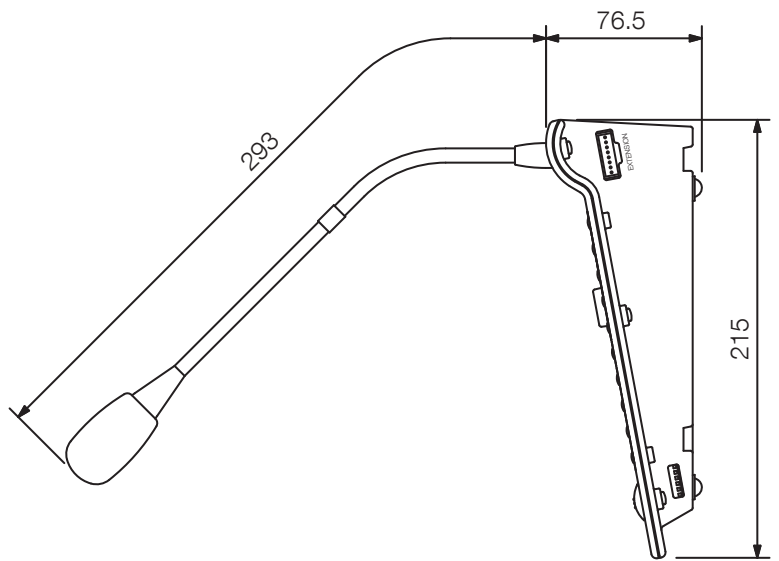


Top View



UNIT:mm

SCALE:1/4



Side View