

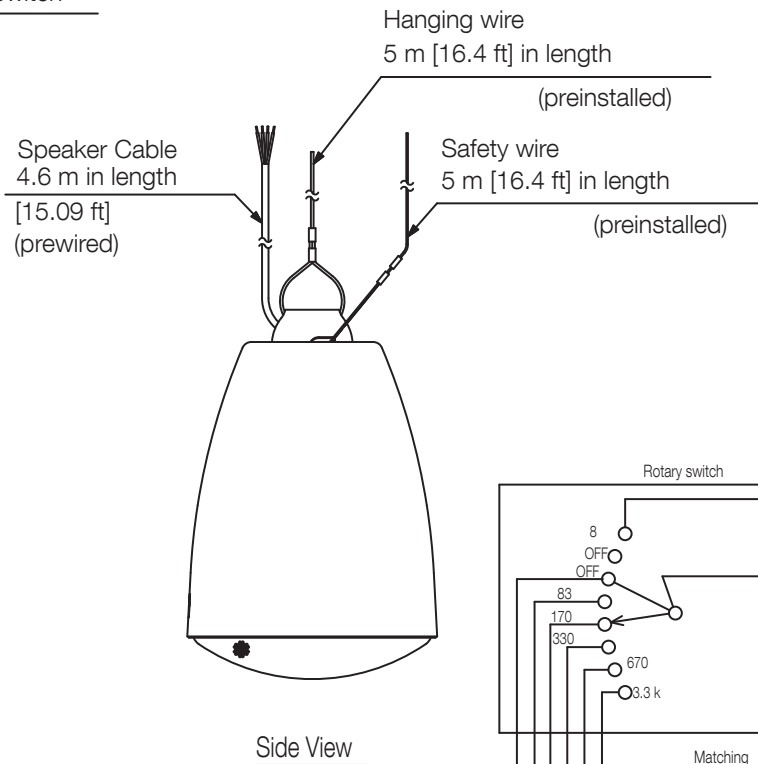
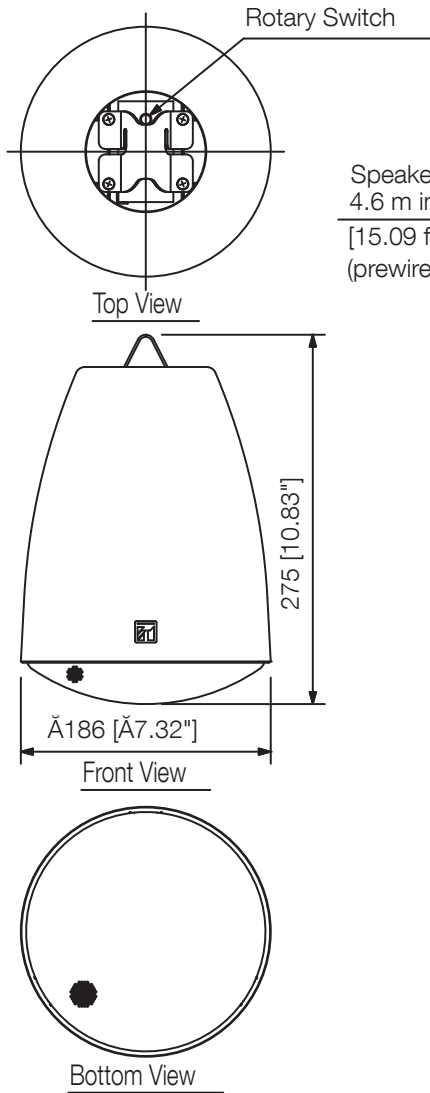


Article number: PE-604WU  
Alternative products: PE-304BU, PE-304WU,  
PE-604BU

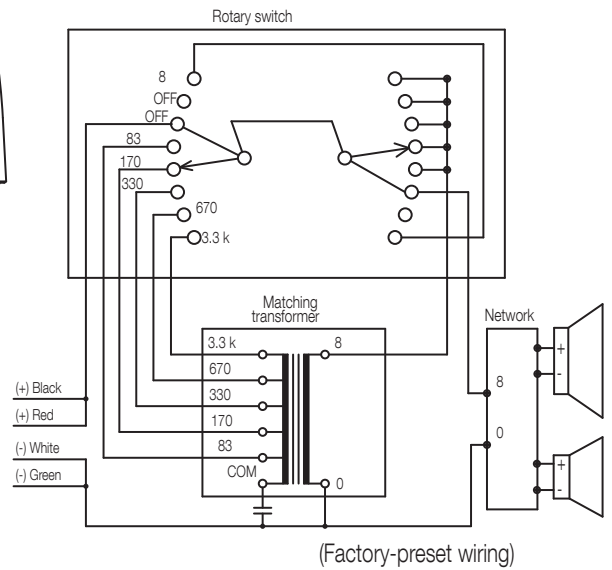
## Specifications

Sensitivity (1#V, 1#m)	90 dB (330 Hz – 3.3 kHz, pink noise)
Frequency response	110 Hz - 20 kHz (-10 dB from sensitivity)
Rated input (high impedance)	60 W
Tappings	100V line: 170Ω (60W), 330Ω (30W), 670Ω (15W), 3.3kΩ (3W) 70V line: 83Ω (60W), 170Ω (30W), 330Ω (15W), 670Ω (7.5W), 3.3kΩ (1.5W) 25V line: 83Ω (7.5W), 170Ω (3.7W), 330Ω (1.9W), 70Ω (0.9W), 3.3kΩ (0.2W) Low impedance: 8Ω
Rated impedance	8 Ω
Speaker component	12 cm cone-type + balanced-dome tweeter (coaxial)
Finish	HIPS resin, off-white (RAL 9010 or equivalent),

Appearance



Wiring Diagram



\* Never connect the 83 terminal to the 100 V line.  
 \* Never connect the 8 terminal to the 100 V or 70 V or 25 V line.

UNIT:mm SCALE:1/6