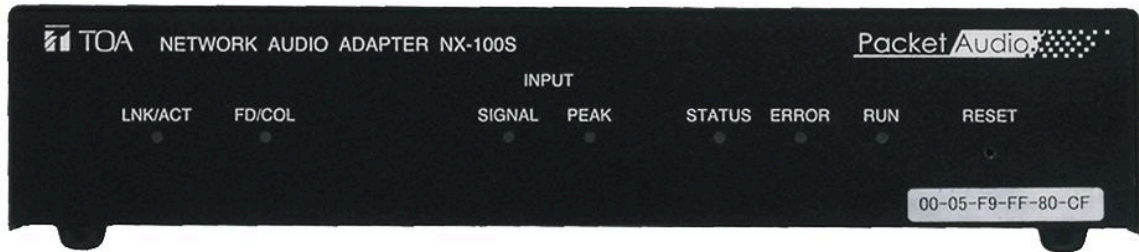




NX-100S

NETWORK AUDIO ADAPTOR

The NX-100S Network Audio Adapter can transmit high-quality audio signals and such control data as control input data over IP networks, such as LAN or Internet, in real time. It is especially useful when transmitting audio signals to remote locations, as Internet use keeps running costs lower than the use of dedicated lines. With the use of an optional rack mounting bracket, it can be mounted in an EIA Standard rack



Article number: NX-100S W



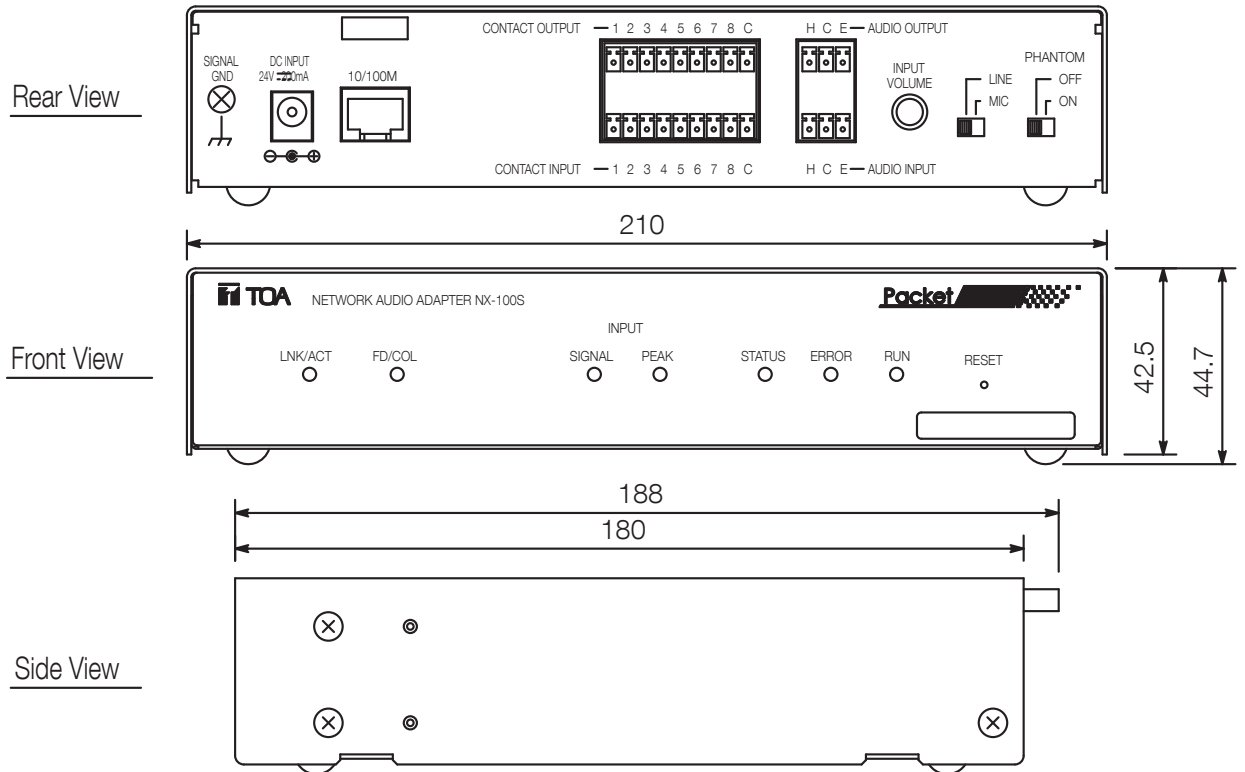
NX-100S

NETWORK AUDIO ADAPTOR

Specifications

Indicator	Link/Act, FD/COL, Status, Error, Run, Reset
Power source	24 V DC AC adapter AD-246 (optional) or equivalent
Audio input	1 channel, balanced, sensitivity -58/0 dBV selectable, phantom power selectable
Power consumption	7 W (when AD-246 (optional) is used)
Current consumption (value)	0,2 A
Control input	8 (no-voltage make contact) (12 V DC, 10 mA)
Control output	8 (open collector, 30 V DC, 50 mA)
Audio output	1 channel, balanced, 0 dBV, min. 600 Ω
Network	10BASE-T/100BASE-TX, Auto-negotiation
Power source	24 V DC AC adapter AD-246 (optional) or equivalent
Connection	Network: RJ45 jack, audio in/out: 2x 3-pin removable screw terminal, control in/out: 2x 9-pin removable screw terminal, power: DC power jack
Audio input	1 channel, balanced, sensitivity -58/0 dBV selectable, phantom power selectable
Audio output	1 channel, balanced, 0 dBV, min. 600 Ω
Control input	8 (no-voltage make contact) (12 V DC, 10 mA)
Power consumption	7 W (when AD-246 (optional) is used)
Cable length	100,00 m
Control output	8 (open collector, 30 V DC, 50 mA)
Indicator	Link/Act, FD/COL, Status, Error, Run, Reset
Current consumption	0.2 A
Finish	Steel plate, 30% gloss, black,
Operating humidity	Under 90 % RH (no dew condensation should be produced)
Operating temperature	0°C to +40°C

Appearance



UNIT:mm SCALE:1/2