

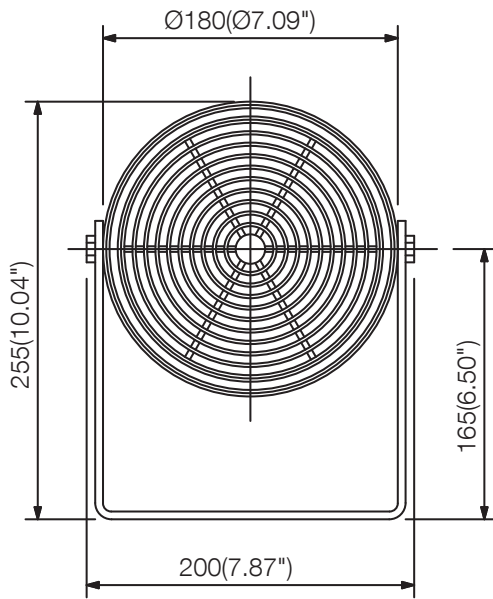


Article number: PJ-200W EU  
Alternative products: PJ-100W

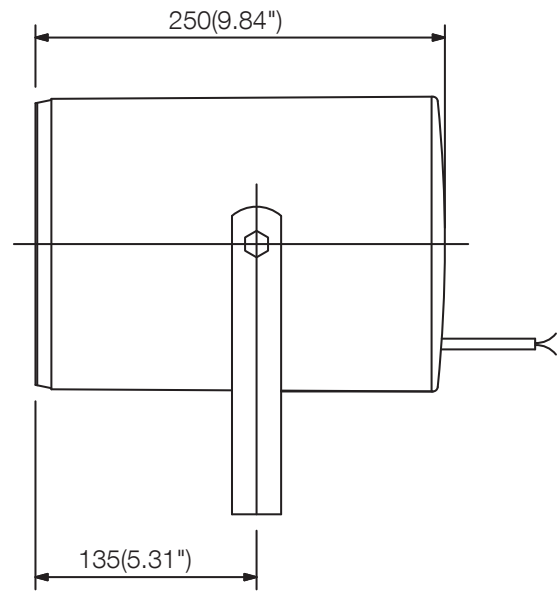
## Specifications

Sensitivity (1#V, 1#m)	95 dB at 1 kHz
Frequency response	50 Hz - 20 kHz
Rated input (high impedance)	20 W
Tappings	100 V : 500 Ω (20 W) / 1 kΩ (10 W) / 2 kΩ (5 W) 70 V : 250 Ω (20 W) / 500 Ω (10 W) / 1 kΩ (5 W) / 2 kΩ (2.5 W) 50 V : 125 Ω (20 W) / 250 Ω (10 W) / 500 Ω (5 W) / 1 kΩ (2.5 W) / 2 kΩ (1.25 W)
Speaker component	16 cm
Finish	ABS resin, off-white (RAL 9010 or equivalent),

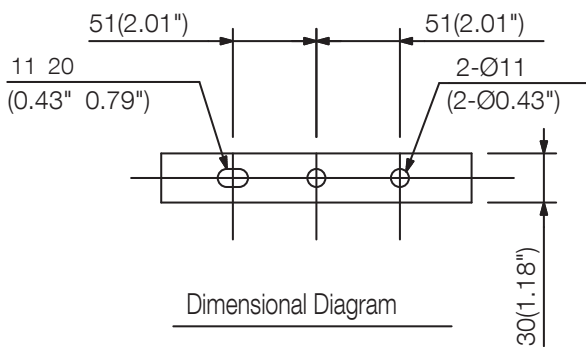
Appearance



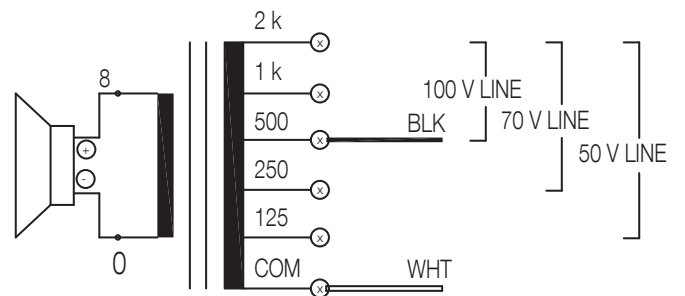
Front View



Side View



Dimensional Diagram



2-Wire-System

UNIT:mm

SCALE:1/5