

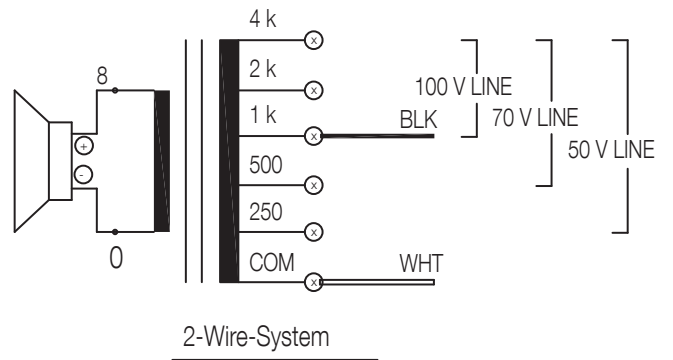
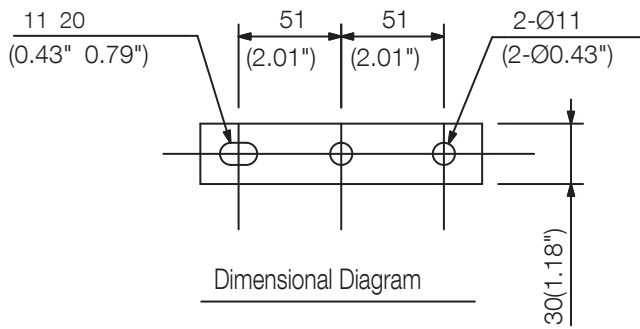
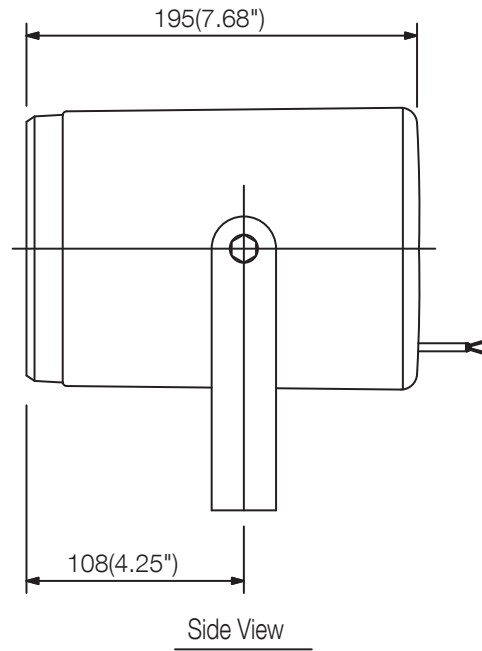
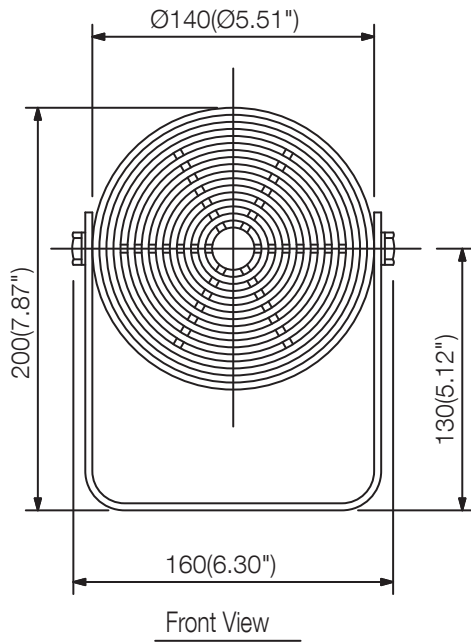


Article number: PJ-100W EU
Alternative products: PJ-200W

Specifications

Sensitivity (1#V, 1#m)	92 dB at 1 kHz
Frequency response	65 Hz - 15 kHz
Rated input (high impedance)	10 W
Tappings	100 V : 1 k Ω (10 W) / 2 k Ω (5 W) / 4 k Ω (2.5 W) 70 V : 500 Ω (10 W) / 1 k Ω (5 W) / 2 k Ω (2.5 W) / 4 k Ω (1.25 W) 50 V : 250 Ω (10 W) / 500 Ω (5 W) / 1 k Ω (2.5 W) / 2 k Ω (1.25 W) / 4 k Ω (0.63 W)
Speaker component	12 cm
Finish	ABS resin, off-white (RAL 9010 or equivalent),

Appearance



UNIT:mm

SCALE:1/4