

The TC-631M is a highly intelligible, general-purpose speaker suited to public address announcement applications. Its external speaker component finished with powder coating, and stainless steel screws ensure the unit's weatherproof capability.

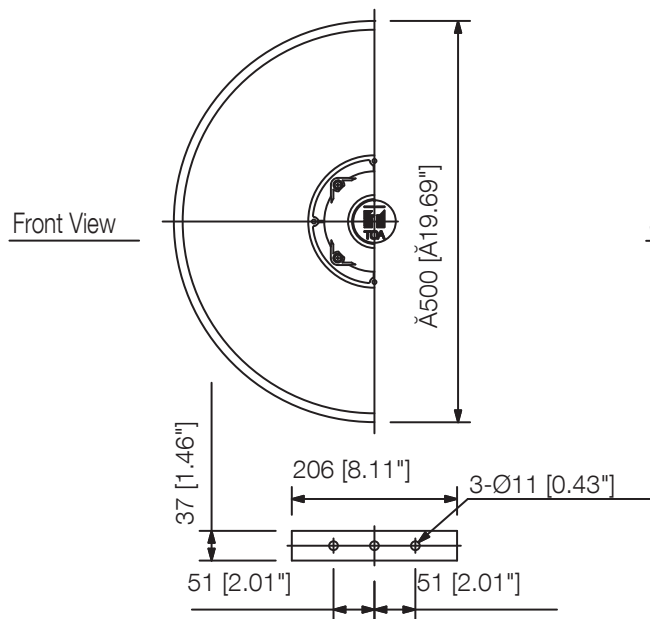
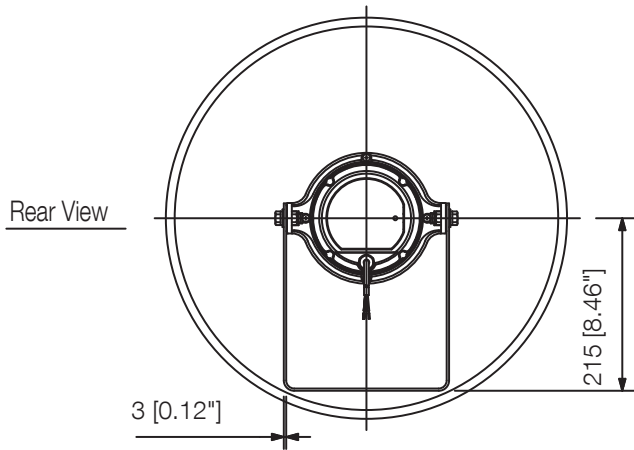


Article number:TC-631M  
Alternative products: TC-615, TC-615M,  
TC-631

## Specifications

Sensitivity (1#V, 1#m)	110 dB
Frequency response	200 Hz - 6 kHz
Rated input (high impedance)	30 W
Tappings	100V line: 330 Ω (30W), 670Ω (15W), 1kΩ (10W), 2kΩ (5W)70V line: 170Ω (30W), 330Ω (15W), 670Ω (7.5W), 1kΩ (5W), 2kΩ (2.5W)
Finish	Aluminium, powder coating, traffic white (RAL 9016 or equivalent),
Operating temperature	-20°C to +60°C

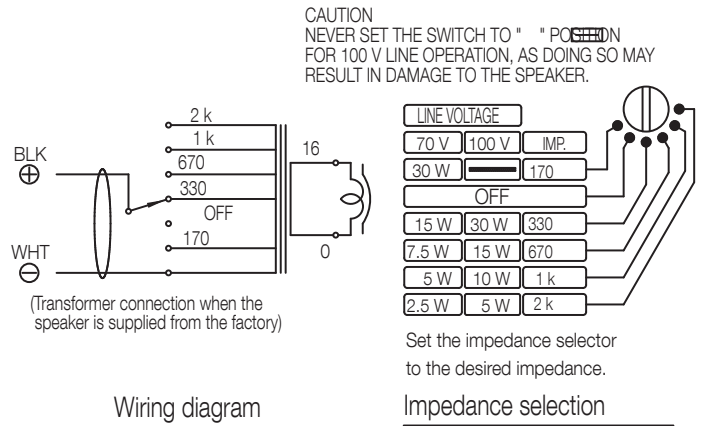
Appearance



Bracket dimensional diagram

UNIT:mm

SCALE:1/10



Side View

