

The TC-631 is a highly intelligible, general-purpose speaker suited to public address announcement applications. Its external speaker component finished with powder coating, and stainless steel screws ensure the unit's weatherproof capability.

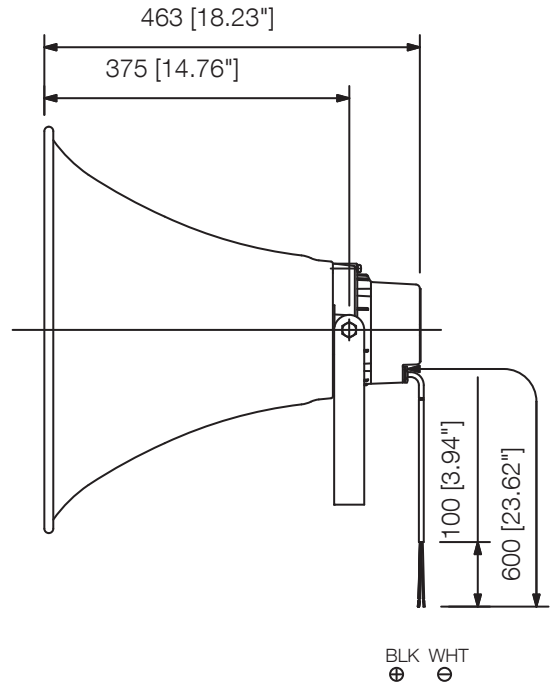
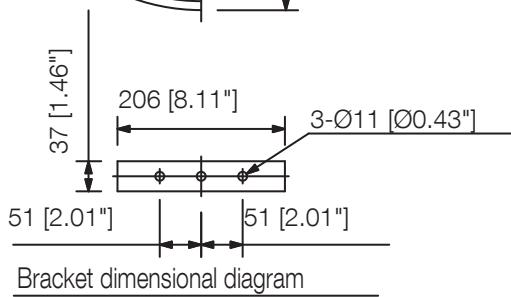
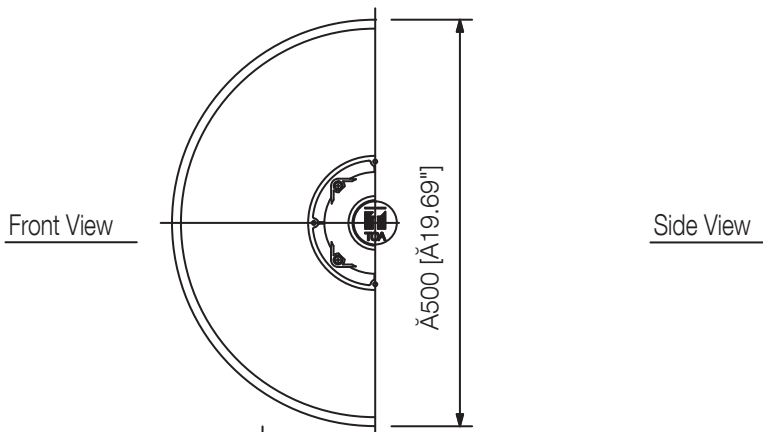
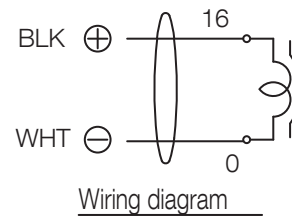
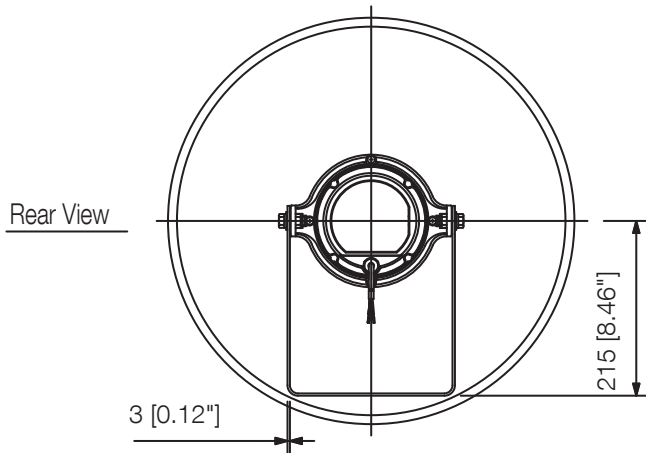


Article number:TC-631
Alternative products: TC-615, TC-615M,
TC-631M

Specifications

Sensitivity (1#V, 1#m)	110 dB
Frequency response	200 Hz - 6 kHz
Rated input (high impedance)	30 W
Rated impedance	16 Ω
Finish	Aluminium, powder coating, traffic white (RAL 9016 or equivalent),
Operating temperature	-20°C to +60°C

Appearance



UNIT:mm

SCALE:1/10