

The TC-651M is a highly intelligible, general-purpose speaker suited to public address announcement applications. Its external speaker component finished with powder coating, and stainless steel screws ensure the unit's weatherproof capability.



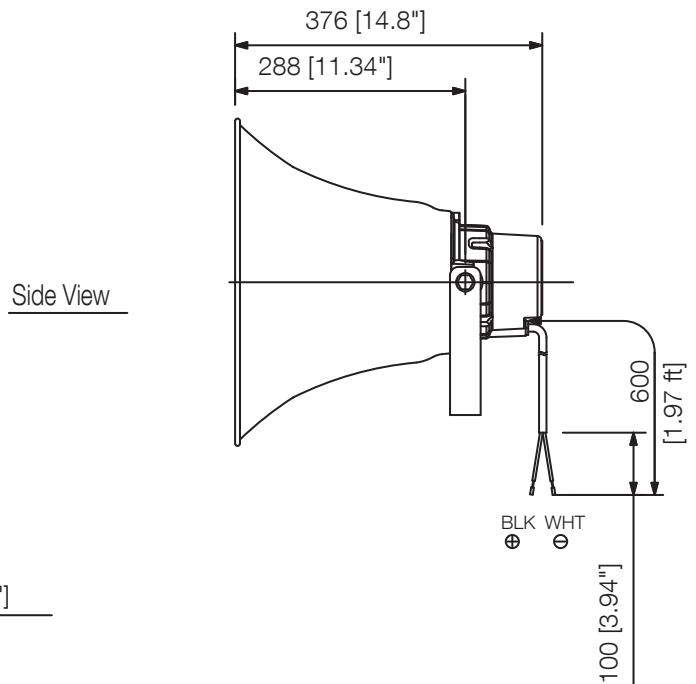
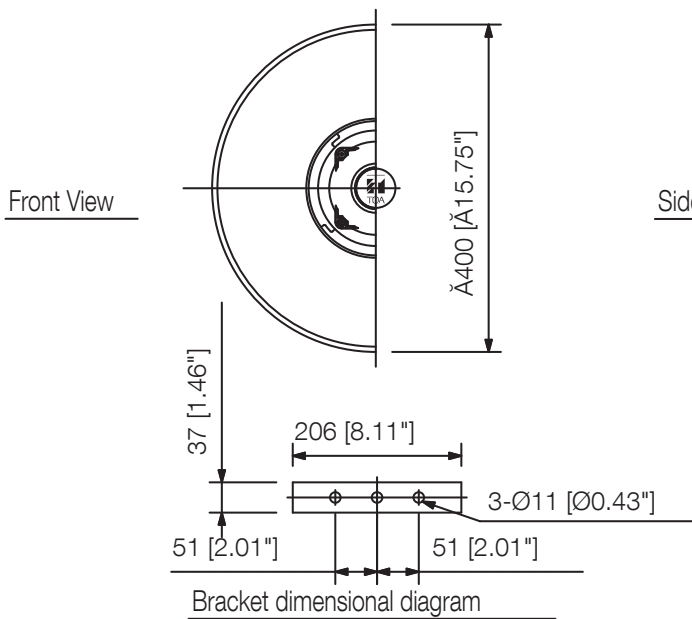
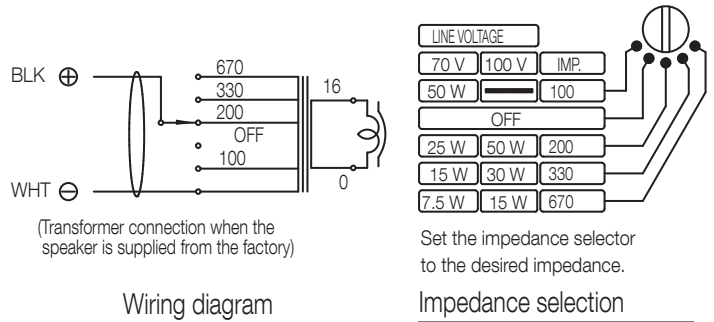
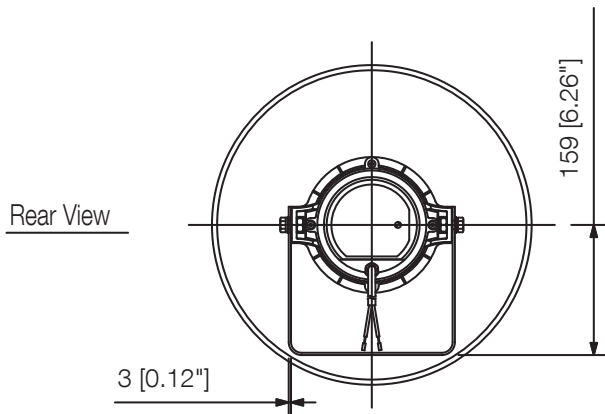
Article number:TC-651M

Specifications

Sensitivity (1#V, 1#m)	111 dB
Frequency response	200 Hz - 6 kHz
Rated input (high impedance)	50 W
Tappings	100V LINE: 200Ω (50W), 330Ω (30W), 670Ω (15W) 70V LINE: 100Ω (50W), 200Ω (25W), 330Ω (15W), 670Ω (7.5W)
Finish	Aluminium, powder coating, traffic white (RAL 9016 or equivalent),
Operating temperature	-20°C to +60°C

Appearance

CAUTION
NEVER SET THE SWITCH TO " " POSITION
FOR 100 V LINE OPERATION, AS DOING SO MAY
RESULT IN DAMAGE TO THE SPEAKER.



UNIT:mm

SCALE:1/10