

SC-630M EB-Q

PAGING HORN SPEAKER

The SC-630M EB-Q is a compact, highly intelligible speaker suited to public address announcement applications. Its external speaker component finished with powder coating, and stainless steel bracket and screws ensure the unit's weatherproof capability. The SC-630M EB-Q is certified to the European Standard EN 54-24.



Article number: SC-630M EB-Q
Alternative products: SC-615BS, SC-630M

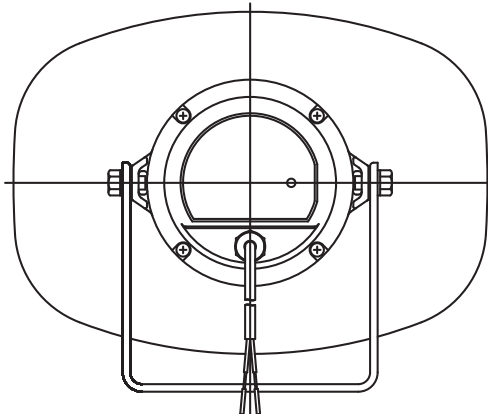
Specifications

Sensitivity (1#V, 1#m)	113 dB 500 Hz - 2.5 kHz, peak level
Frequency response	250 Hz - 10 kHz
Max. SPL (1 m)	111 dB 30 W, 100 Hz - 10 kHz, pink noise
Directivity Angle catalogue output	500 Hz: 360°/360° 1 kHz: 115°/86° 2 kHz: 73°/53° 4 kHz: 33°/32°
Rated input (high impedance)	30 W
Tappings	100 V: 330 Ω (30 W) / 670 Ω (15 W) / 1 kΩ (10 W) / 2 kΩ (5 W) 70 V: 170 Ω (30 W) / 330 Ω (15 W) / 670 Ω (10 W) / 1 kΩ (5 W) / 2 kΩ (2.5 W)
Finish	Aluminium, powder coating, off-white (RAL 9010 or equivalent), Reflector horn, trans case and terminal cover: ABS resin, off-white (RAL 9010 or equivalent) Bracket, screws and bolts: Stainless steel

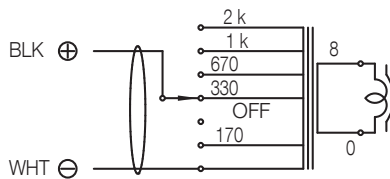
SC-630M EB-Q

PAGING HORN SPEAKER

Appearance



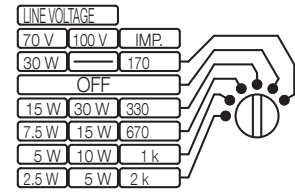
Rear View



(Transformer connection when the speaker is supplied from the factory)

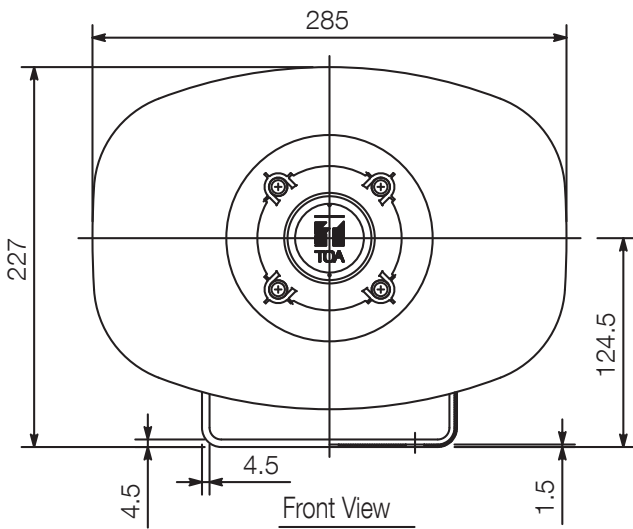
Wiring diagram

CAUTION
NEVER SET THE SWITCH TO " " POSITION FOR 100 V LINE OPERATION, AS DOING SO MAY RESULT IN DAMAGE TO THE SPEAKER.

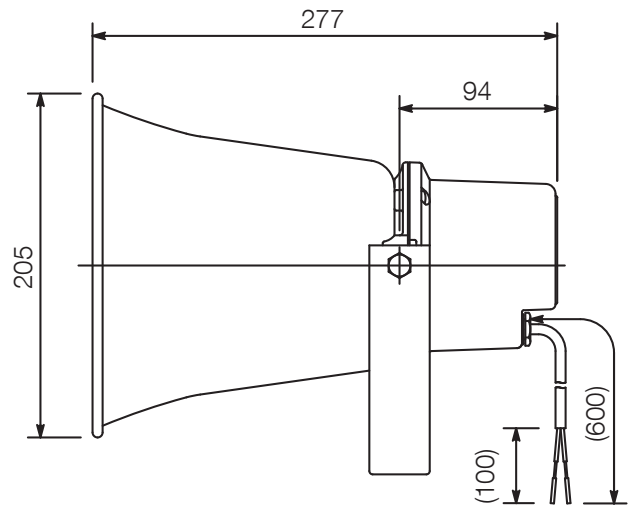


Set the impedance selector to the desired impedance.

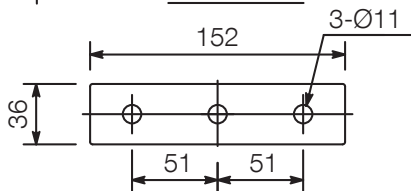
Impedance selection



Front View



Side View



Bracket dimensional diagram

UNIT:mm

SCALE:1/5

Note: Numerical values in parentheses are for reference only.