

The SC-630 is a compact, highly intelligible speaker suited to public address announcement applications. Its external speaker component finished with powder coating, and stainless steel bracket and screws ensure the unit's weatherproof capability.

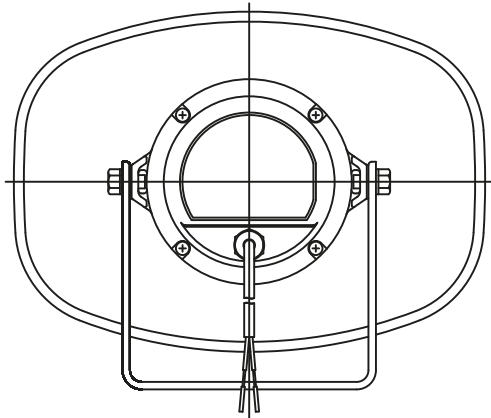


Article number: SC-630 EU  
Alternative products: SC-610, SC-615

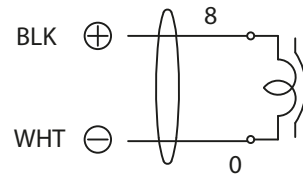
### Specifications

Sensitivity (1#W, 1#m)	113 dB
Frequency response	250 Hz - 10 kHz
Connection	Cable with two wires
Rated input (high impedance)	30 W
Rated impedance	8 Ω
Finish	Aluminium, powder coating, off-white (RAL 9010 or equivalent),
Operating temperature	-20 °C to +55 °C (must be free from dew condensation)

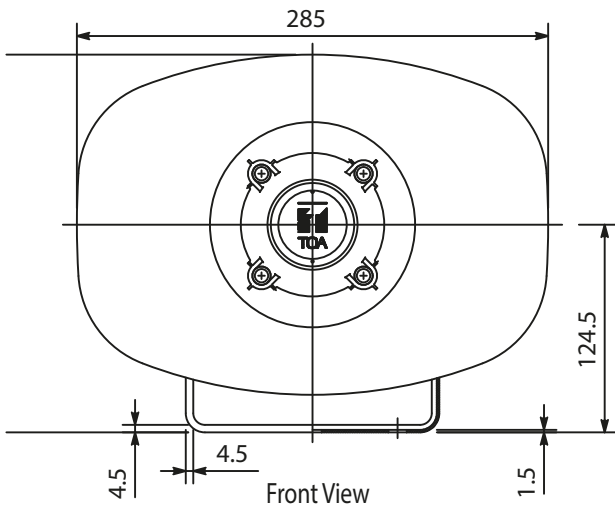
Appearance



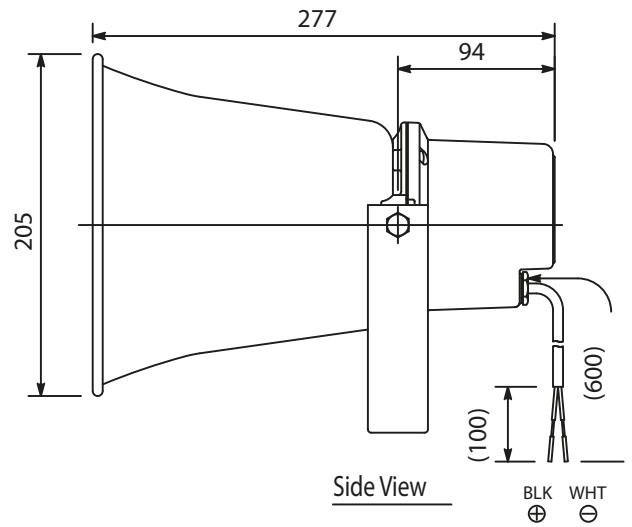
Rear View



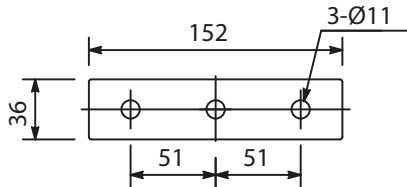
Wiring diagram



Front View



Side View



Bracket dimensional diagram

UNIT:mm

SCALE:1/5

Note: Numerical values in parentheses are for reference only.