

The SC-610M is a compact, highly intelligible speaker suited to public address announcement applications. Its external speaker component finished with powder coating, and stainless steel bracket and screws ensure the unit's weatherproof capability.

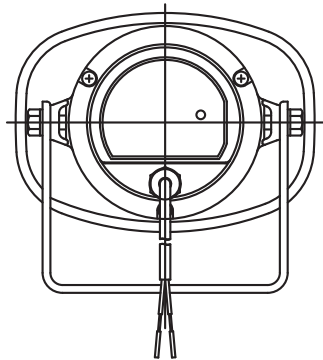


Article number: SC-610M EU  
Alternative products: SC-615M, SC-630M

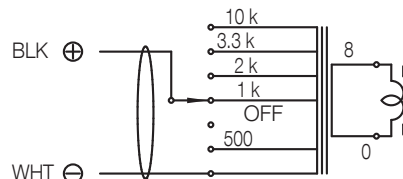
### Specifications

Sensitivity (1#W, 1#m)	110 dB
Frequency response	315 Hz - 12.5 kHz
Connection	Cable with two wires
Rated input (high impedance)	10 W
Tappings	100V line: 1k $\Omega$ (10W), 2k $\Omega$ (5W), 3.3k $\Omega$ (3W), 10k $\Omega$ (1W) 70V line: 500 $\Omega$ (10W), 1k $\Omega$ (5W), 2k $\Omega$ (2.5W), 3.3k $\Omega$ (1.5W), 10k $\Omega$ (0.5W)
Finish	Aluminium, powder coating, off-white (RAL 9010 or equivalent),
Operating temperature	-20 °C to +55 °C (must be free from dew condensation)

Appearance



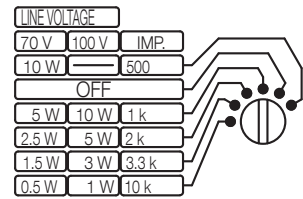
Rear View



(Transformer connection when the speaker is supplied from the factory)

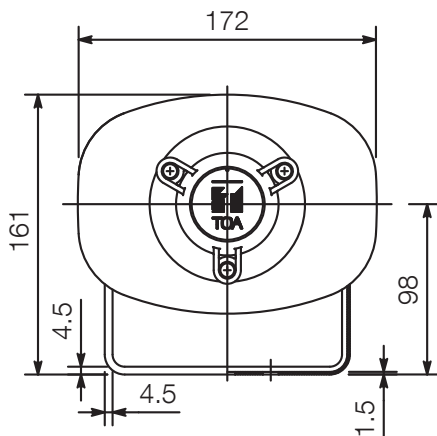
Wiring diagram

**CAUTION**  
NEVER SET THE SWITCH TO " " POSITION FOR 100 V LINE OPERATION, AS DOING SO MAY RESULT IN DAMAGE TO THE SPEAKER.

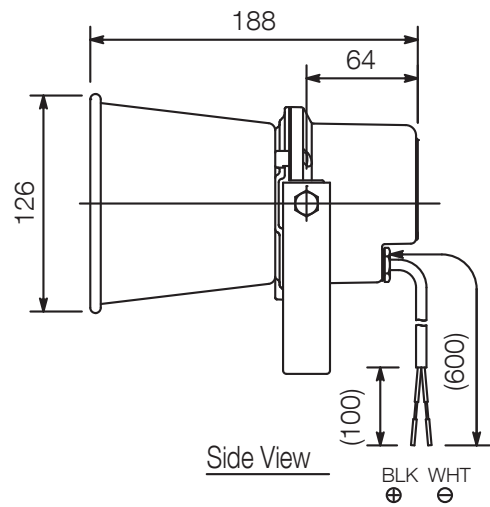


Set the impedance selector to the desired impedance.

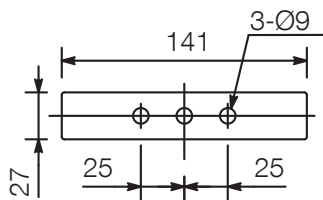
Impedance selection



Front View



Side View



Bracket dimensional diagram

UNIT:mm

SCALE:1/5

Note: Numerical values in parentheses are for reference only.