

# F-2000B

## SPEAKER SYSTEM

The F-2000 Series Speaker are compact two-way speaker systems designed for high efficiency, wide range, and high power input handling capability. These speaker systems can be installed in a manner ideal for the location and intended application.



Article number: F-2000B  
 Alternative products: F-2000BT, F-2000BTWP,  
 F-2000W, F-2000WT, F-2000WTWP

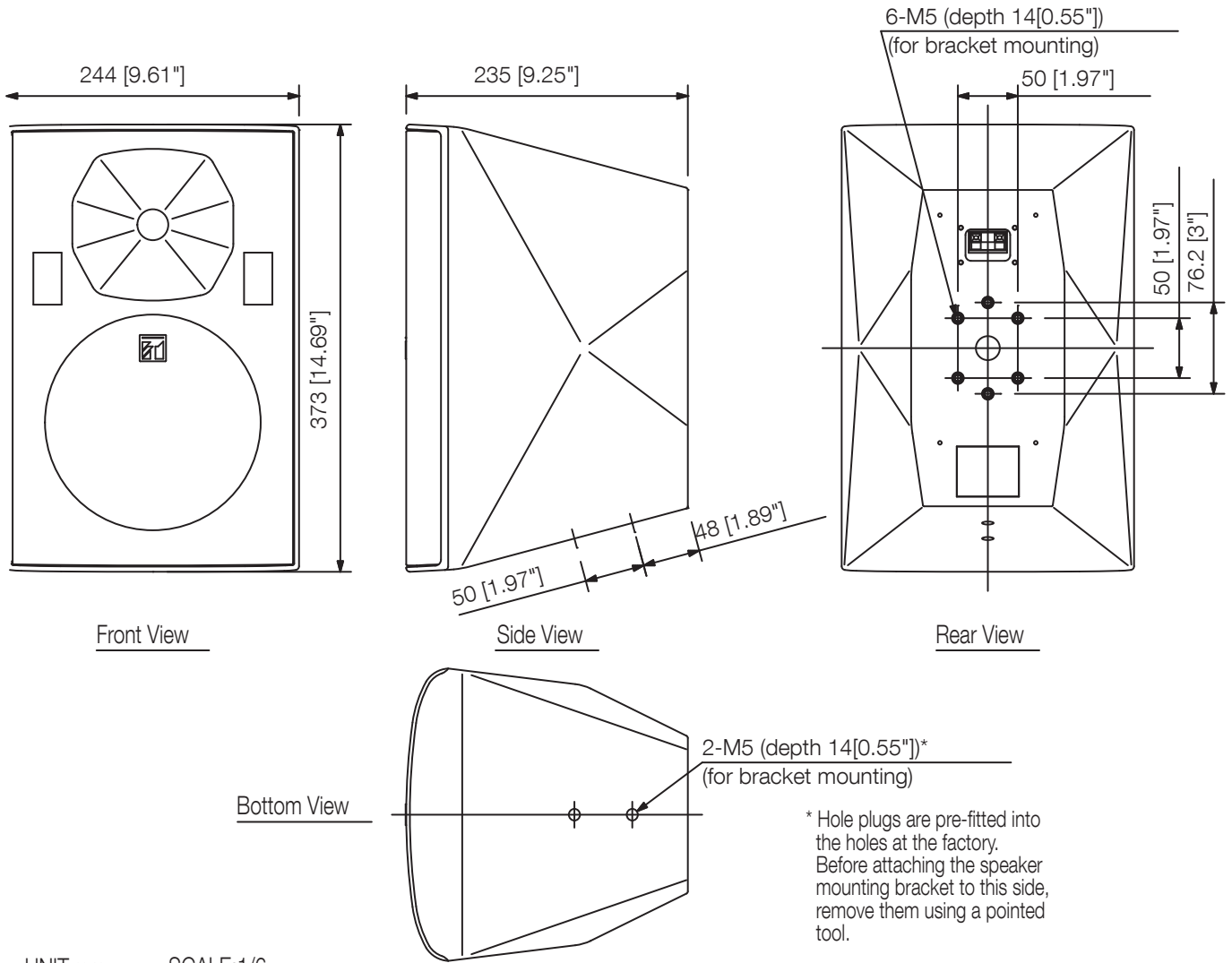
### Specifications

Sensitivity (1#V, 1#m)	92 dB at installation in 1/2 free sound field 93 dB at installation in 1/2 free sound field with horn adapter
Frequency response	65 Hz - 20 kHz (-10 dB)
Crossover frequency	2500 Hz
Rated input (low impedance)	60 W (continuous pink noise), 180 W (continuous program)
Rated impedance	8 Ω
Speaker component	Low: 20 cm cone-type, High: 2.5 cm balanced dome-type
Finish	HIPS resin, black (RAL 9011 or equivalent),

# F-2000B

SPEAKER SYSTEM

Appearance



UNIT:mm

SCALE:1/6