

F-1300WTWP

SPEAKER SYSTEM

The F-1300 Series Speaker are compact two-way speaker systems designed for high efficiency, wide range, and high power input handling capability. These speaker systems can be installed in a manner ideal for the location and intended application. The F-1300BTWP features a water-proof design (splash-proof type meeting IPX4 standard), so that it can be permanently installed outdoors.



Article number:F-1300WTWP
 Alternative products: F-1300B, F-1300BT,
 F-1300BTWP, F-1300W, F-1300WT

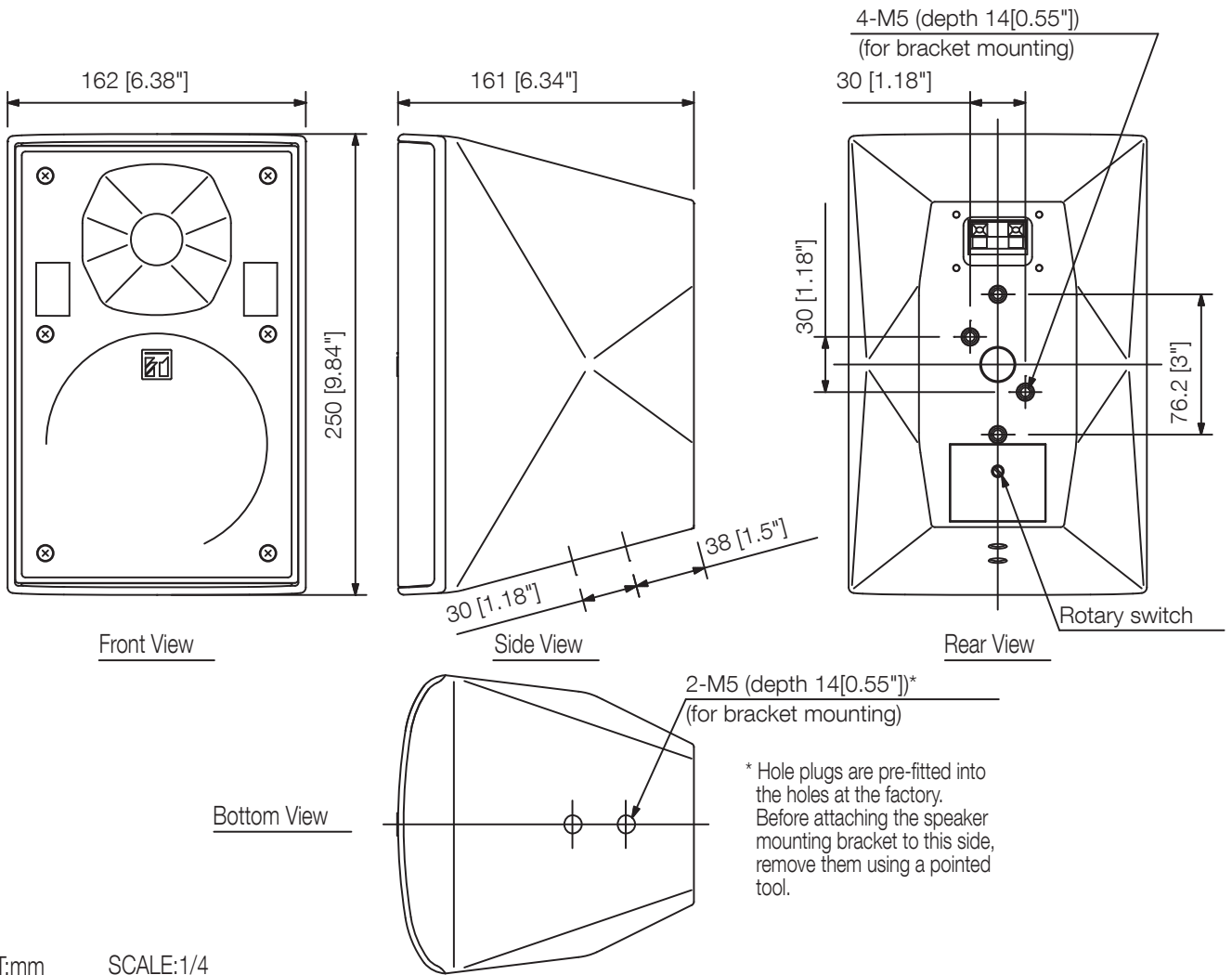
Specifications

Sensitivity (1#V, 1#m)	90 dB at installation in 1/2 free sound field
Frequency response	80 Hz - 20 kHz (-10 dB)
Crossover frequency	2 kHz
Rated input (high impedance)	30 W
Tappings	100 V : 330 Ω (30 W) / 1 kΩ (10 W) / 3.3 kΩ (3 W) / 10 kΩ (1 W) 70 V : 170 Ω (30 W) / 330 Ω (15 W) / 1 kΩ (5 W) / 3.3 kΩ (1.5 W) / 10 kΩ (0.5 W)
Speaker component	Low: 13 cm cone-type, High: 2.5 cm balanced dome-type
Finish	HIPS resin, off-white (RAL 9010 or equivalent),
Operating temperature	-10 °C to +50 °C (14 °F to 122 °F)

F-1300WTWP

SPEAKER SYSTEM

Appearance



UNIT:mm

SCALE:1/4