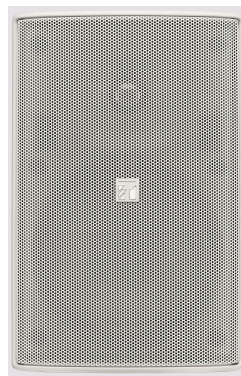


# F-1300WT

## SPEAKER SYSTEM

The F-1300 Series Speaker are compact two-way speaker systems designed for high efficiency, wide range, and high power input handling capability. These speaker systems can be installed in a manner ideal for the location and intended application.



Article number: F-1300WT  
 Alternative products: F-1300B, F-1300BT,  
 F-1300BTWP, F-1300W, F-1300WTWP

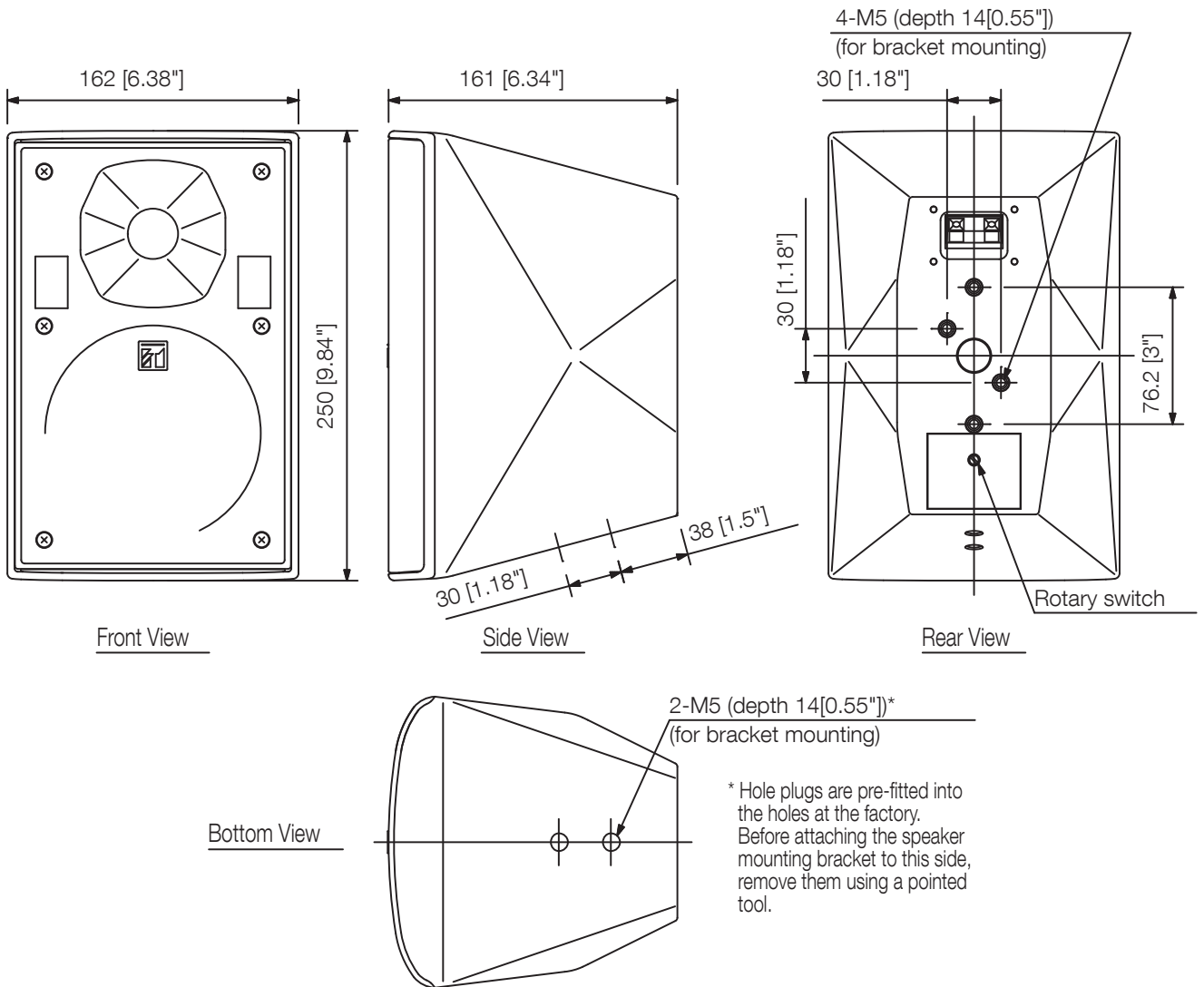
### Specifications

Sensitivity (1#W, 1#m)	90 dB at installation in 1/2 free sound field
Frequency response	80 Hz - 20 kHz (-10 dB)
Crossover frequency	2 kHz
Rated input (high impedance)	30 W
Tappings	100 V : 330 Ω (30 W) / 1 kΩ (10 W) / 3.3 kΩ (3 W) / 10 kΩ (1 W) 70 V : 170 Ω (30 W) / 330 Ω (15 W) / 1 kΩ (5 W) / 3.3 kΩ (1.5 W) / 10 kΩ (0.5 W)
Rated input (low impedance)	50 W (continuous pink noise), 150 W (continuous program) in 8Ω mode
Rated impedance	8 Ω
Speaker component	Low: 13 cm cone-type, High: 2.5 cm balanced dome-type
Finish	HIPS resin, off-white (RAL 9010 or equivalent),

# F-1300WT

SPEAKER SYSTEM

Appearance



UNIT:mm SCALE:1/4