

# WT-5810 G01

WIRELESS TUNER

The WT-5810 is a PLL-synthesizer controlled double superhetrodyne diversity tuner designed to be used with a UHF wireless system. It employs a compander noise reduction circuit to minimize the influence of ambient RF noise.

---



Article number: WT-5810 G01ER  
Alternative products: WT-5800 G01, WT-5805 G01

---



# WT-5810 G01

## WIRELESS TUNER

### Specifications




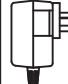
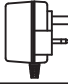
Indicator	ANT A/B, Audio (peak), Battery alarm, Channel number
Power source	AC mains (supplied AC adapter must be used)
Audio output	XLR balanced (mic), 1/4" jack unbalanced (line)
Power source	AC mains (supplied AC adapter must be used)
Power supply	12 V DC, 130 mA
Frequency response	100 Hz - 15 kHz
Diversity principle	Space diversity (antenna switching)
S/N ratio	104 dB (A)
Frequency response	100 Hz - 15 kHz
Receiving frequency	606 - 636 MHz
Automatic frequency scan	Yes
Receiver sensitivity	20 dB $\mu$ V (S/N >90 dB, 40 kHz deviation)
Antenna inputs	No (fixed rod antenna)
Nominal output level	Mic: -60 dBV, line: -20 dBV
Audio output	XLR balanced (mic), 1/4" jack unbalanced (line)
Audio mixing input	1/4" jack unbalanced
Indicator	ANT A/B, Audio (peak), Battery alarm, Channel number
Selectable frequencies (combined)	16
Simultaneous channels (combined)	16 (16)
Input sensitivity	Line (-20 dBV)
S/N ratio	104 dB (A)
Power supply	12 V DC, 130 mA
Finish	Resin, black,
Operating humidity	30 % - 85 % RH
Operating temperature	-10°C to +50°C (14°F to 122°F)

# WT-5810 G01

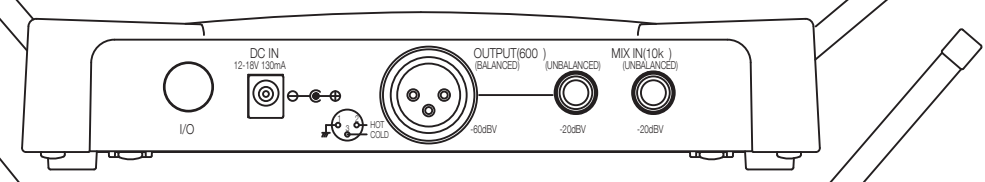
WIRELESS TUNER

Appearance

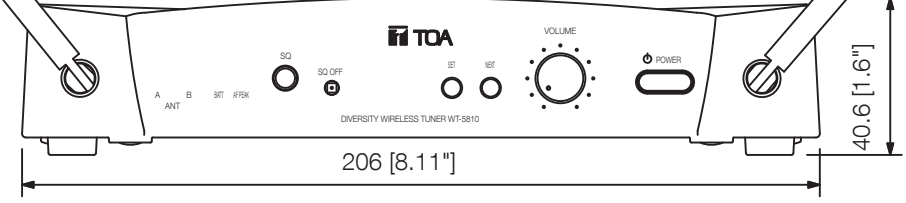
(\*3)

Version	AC Adapter	Image	Version	AC Adapter	Image
US	120 V AC, 60 Hz		ER	230 V AC, 50 Hz	
CN	220 V AC, 50 Hz		AS	240 V AC, 50 Hz	
UK	220 - 230 V AC, 50 Hz		Note: No AC adapter is supplied with the version B02ER.		

**Rear View**

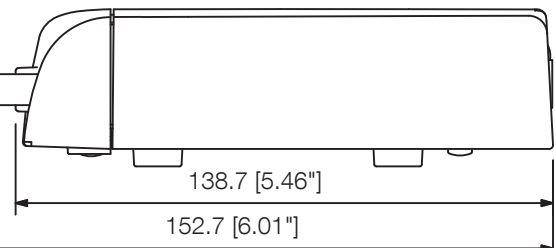


**Front View**



Dimensions: 206 [8.11"] (width), 40.6 [1.6"] (height)

**Side View**



Dimensions: 138.7 [5.46"] (depth), 152.7 [6.01"] (total length)

UNIT:mm SCALE:1/2

(\*2)

Version	Receiving Frequency
A01	692 - 722 MHz, UHF
B01, B02	722 - 752 MHz, UHF
C01 - C07	794 - 830 MHz, UHF
D01 - D05	830 - 865 MHz, UHF
E01	668 - 698 MHz, UHF
F01	636 - 666 MHz, UHF
G01, G02	606 - 636 MHz, UHF
H01	576 - 606 MHz, UHF