

Designed for paging calls and general announcements, the PM-660D desk-top microphone comes with a large talk switch and a lock lever for easy and convenient operation. Its robust anti-vibration construction and balanced output render the microphone resistive to noise. In addition, the PM-660U microphone is equipped with a remote control switch (interlocked with the talk switch) for amplifier power on/off operation or chime activation.

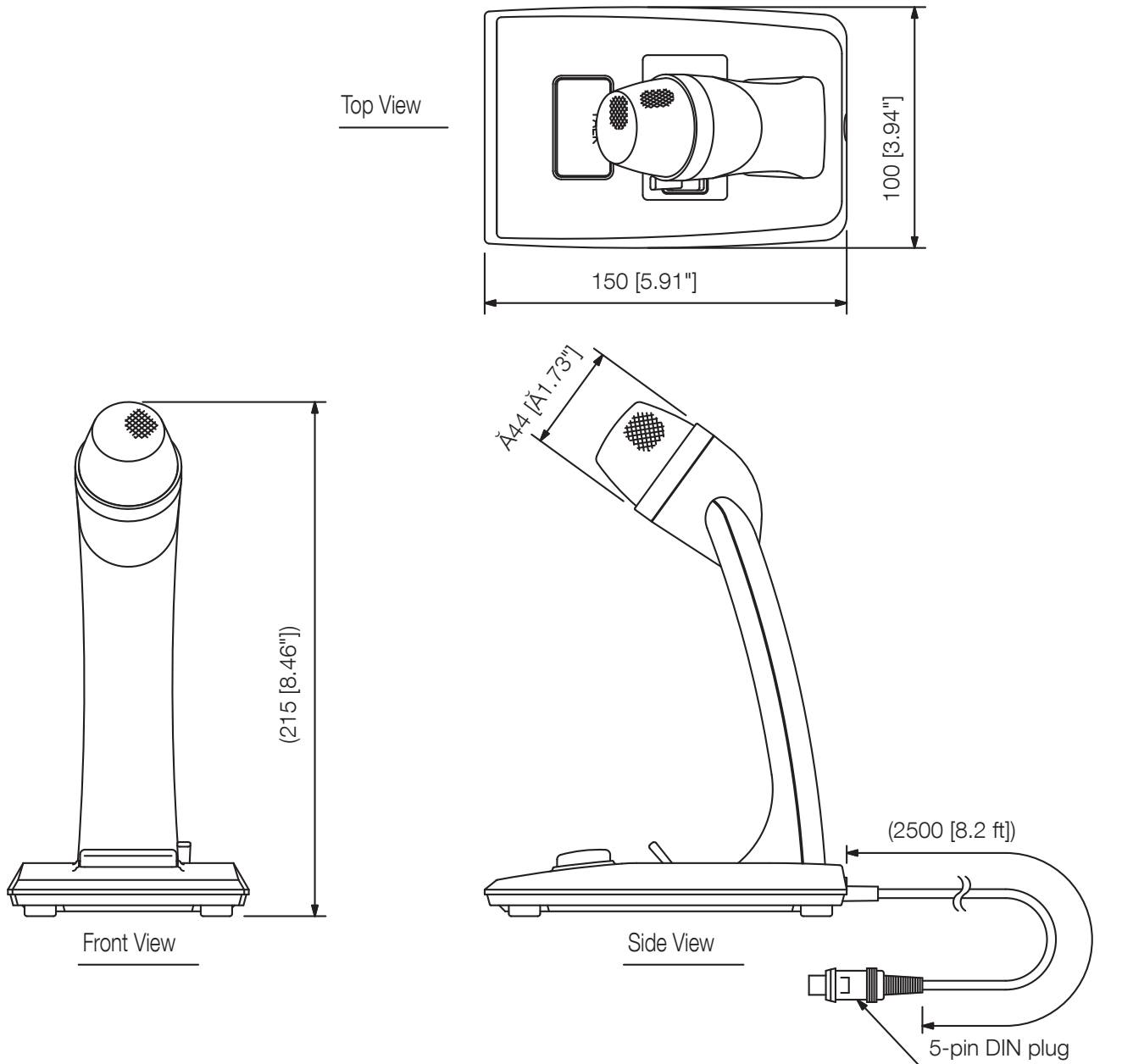


Article number:PM-660D

Specifications

Controls	Leaf spring contact (interlocked with talk switch, 30 V DC, under 500 mA)
Frequency response	100 Hz - 10 kHz
Rated impedance	600 Ω
Controls	Leaf spring contact (interlocked with talk switch, 30 V DC, under 500 mA)
Frequency response	100 Hz - 10 kHz
Directivity	Cardioid
Microphone sensitivity	-58 dB (1 kHz 0 dB = 1 V/Pa)
Rated impedance	600 Ω

Appearance



UNIT:mm SCALE:1/3

Note: Numerical values in parentheses are for reference only.