

The EM-700 is a low-profile, high-quality, cardioid condenser microphone suitable for installation on a lecture desk or table top in a conference room. It features optimum acoustic characteristics for sound pick-up applications when placed on a flat surface, realizing pure, natural sound quality.

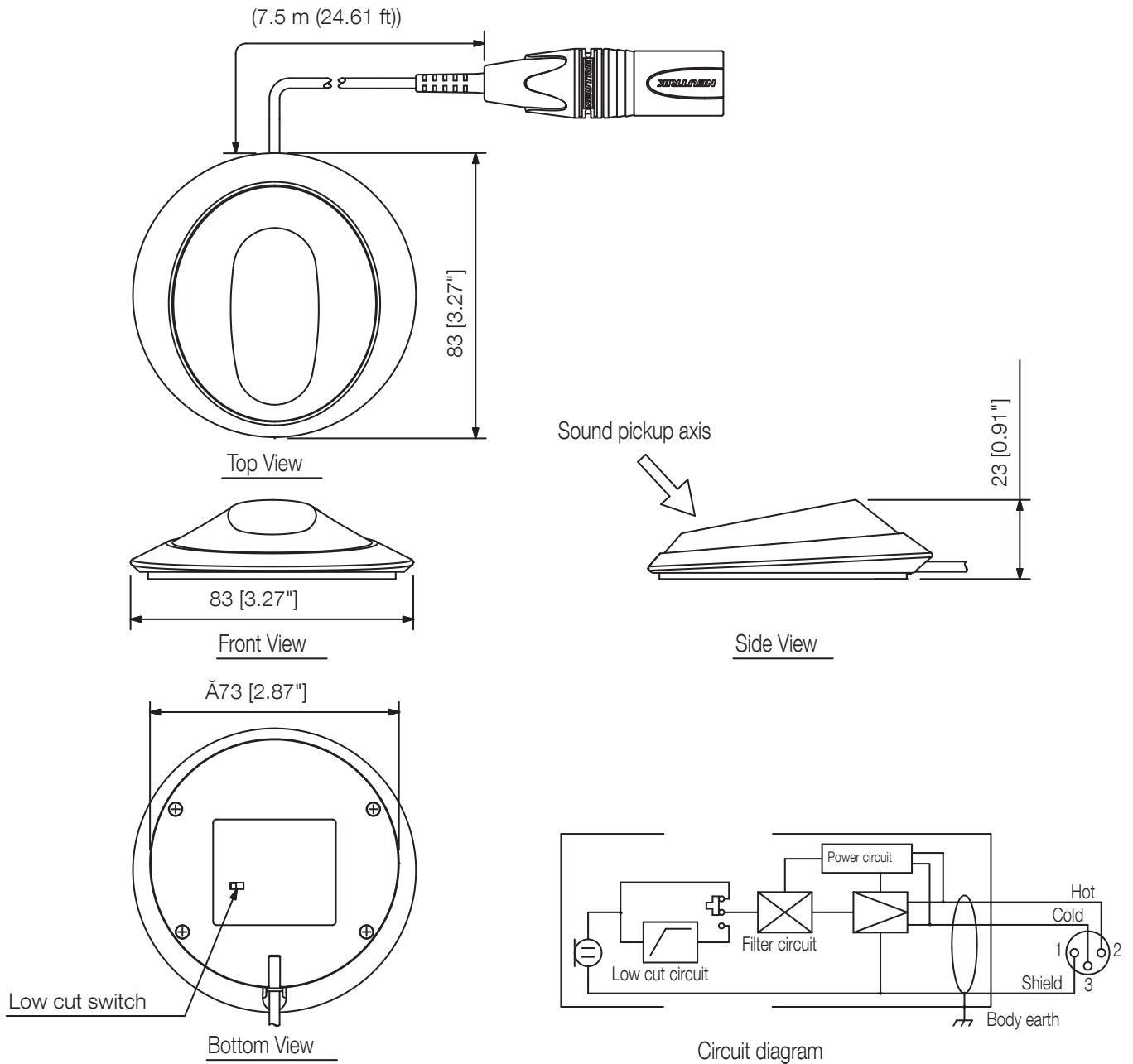


Article number:EM-700

Specifications

Frequency response	35 Hz - 20 kHz
Connection	XLR-3-12 or equivalent, Cable length: 7.5 m
Rated impedance	120 Ω
Phantom power	9 – 52 V DC
Frequency response	35 Hz - 20 kHz
Microphone type	Boundary Microphone
Directivity	Cardioid
Microphone sensitivity	-33 dB (1 kHz 0 dB = 1 V/Pa)
Rated impedance	120 Ω
Finish	Aluminium, die-cast, matt, paint, black,
Operating temperature	0°C to +40°C

Appearance



UNIT:mm SCALE:1/2