

The EM-600 is an omnidirectional condenser microphone of only 28 mm (1.1") in diameter designed for sound pick-up application. It can be flush-mounted into a ceiling, wall, or desk, making it unobtrusive. It provides clear and high-quality sound.



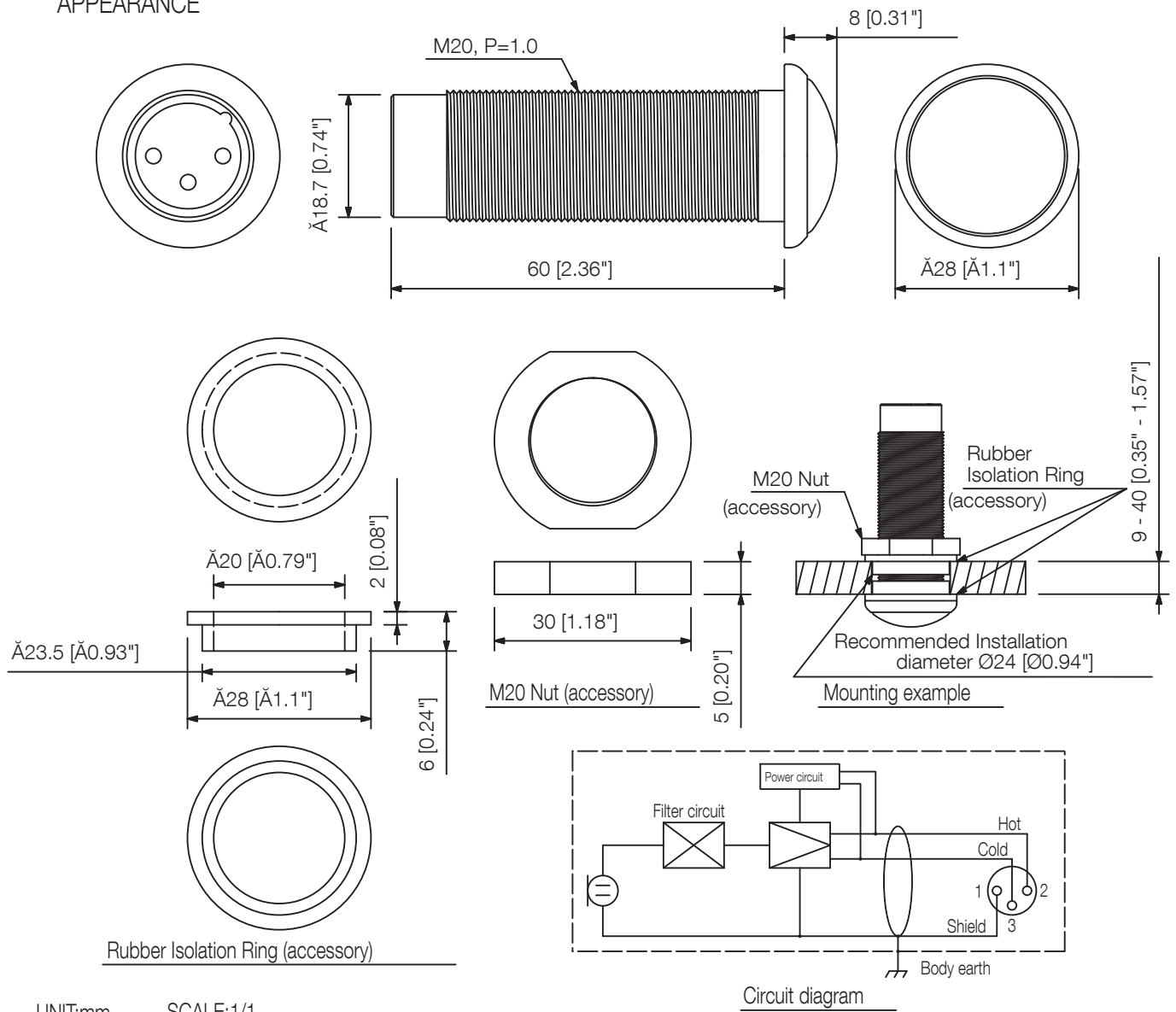
Article number:EM-600

Specifications

Frequency response	30 Hz - 20 kHz
Connection	XLR-3-12 or equivalent
Rated impedance	120 Ω
Phantom power	9 – 52 V DC
Frequency response	30 Hz - 20 kHz
Microphone type	Flush-Mount Boundary Microphone
Directivity	Omnidirectional
Microphone sensitivity	-36 dB (1 kHz 0 dB = 1 V/Pa)
Rated impedance	120 Ω
Finish	Steel, semi-gloss, paint, white,
Operating temperature	0°C - +40°C

Appearance

APPEARANCE



UNIT:mm

SCALE:1/1

Circuit diagram