

A unidirectional microphone with a gooseneck shaft. Use this microphone in conjunction with the ST-73A desk-top stand (option).

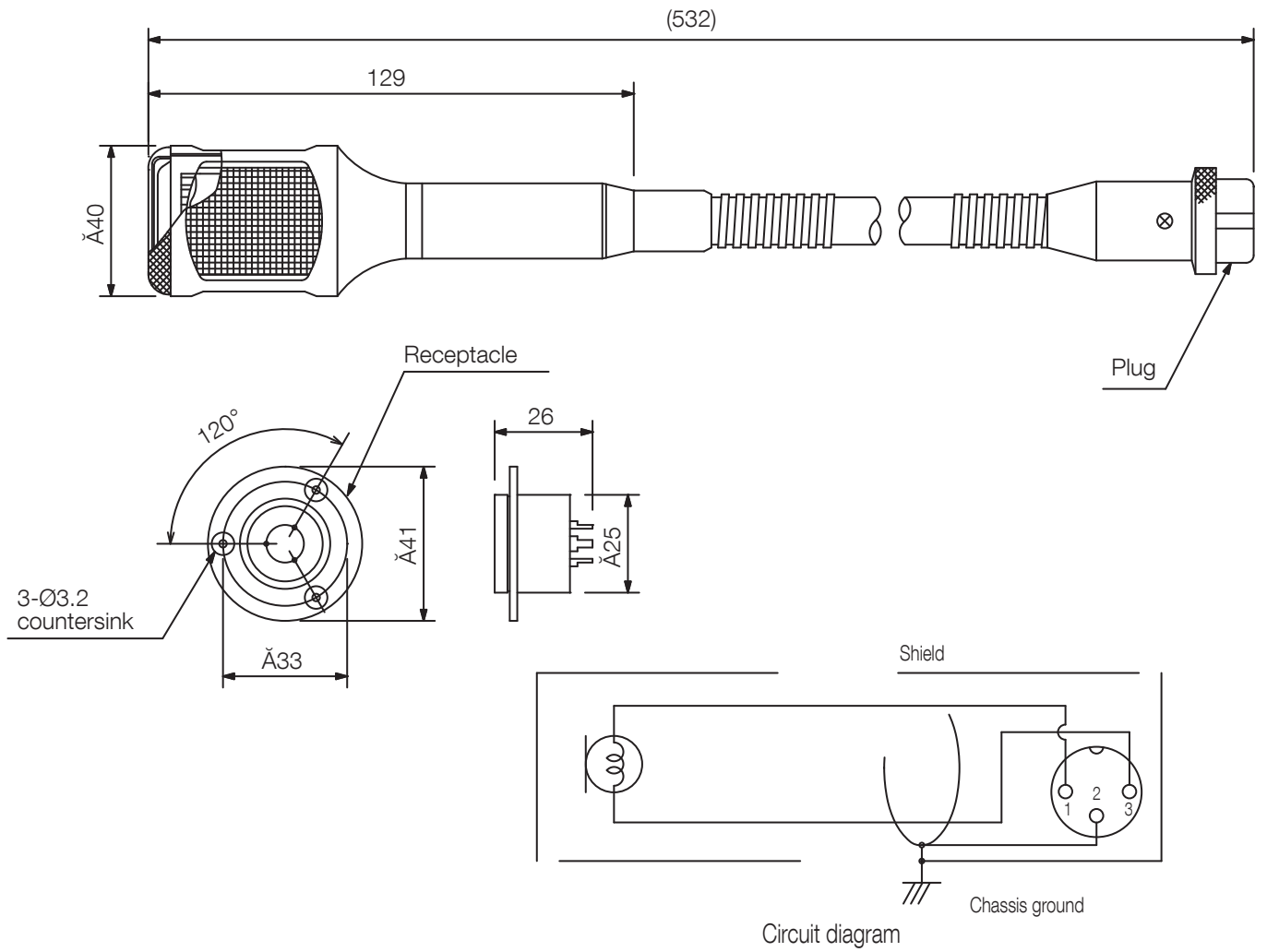


Article number:DM-524B  
Alternative products: DM-524S, EM-800

## Specifications

Frequency response	100 Hz - 10 kHz
Connection	3-pin plug BTS21P3B
Rated impedance	600 Ω
Frequency response	100 Hz - 10 kHz
Microphone type	Dynamic microphone
Directivity	Cardioid
Microphone sensitivity	-55 dB (1 kHz 0 dB = 1 V/Pa)
Rated impedance	600 Ω
Finish	paint, gold,

Appearance



UNIT:mm

SCALE:1/2

Note: Numerical values in parentheses are for reference only.