

DA-250FH

VOIR REF : DA-250FH CE 301 C00

The DA-250FH is a 4-Channel Digital Power Amplifier designed for 100 V line high-impedance distribution and features lightweight, compact, high power output, and high efficiency. It delivers 250 W # 4 channels (40 # output) using a switching power supply. Each channel is equipped with an independent power section. It can be electrically isolated from the high-impedance speaker system by attaching the MT-251H Output Transformer (optional). It can be mounted in an EIA Standard equipment rack (1 unit size).



Article number: DA-250FH CE301
Alternative products: DA-250D, DA-250DH,
DA-250F

DA-250FH

VOIR REF : DA-250FH CE 301 C00

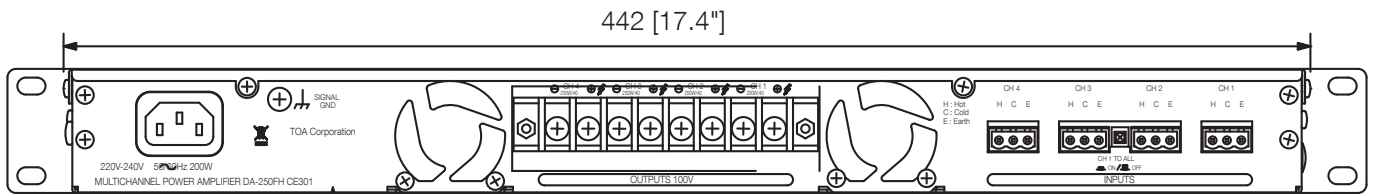
Specifications

Indicator	Power (blue) x 1, Input (green) x 2, Output (yellow) x 2, Peak (red) x 2, Protect (red) x 2
Power source	220 - 240 V AC, 50 / 60 Hz
Rated output	4 x 250 W (70 V/100 V)
Frequency response	20 Hz - 20 kHz (±1 dB)
Distortion (value)	< 0.1 %
Power source	220 - 240 V AC, 50 / 60 Hz
Rated output	4 x 250 W (70 V/100 V)
Distortion	< 0.1 % (at 1 kHz)
Power consumption	200 W (EN 62368-1)
Frequency response	20 Hz - 20 kHz (±1 dB)
Power consumption	200 W (EN 62368-1)
S/N ratio	100 dB (A-weighted)
Number of channels	4
Indicator	Power (blue) x 1, Input (green) x 2, Output (yellow) x 2, Peak (red) x 2, Protect (red) x 2
S/N ratio	100 dB (A-weighted)
Distortion	< 0.1 % (at 1 kHz)
Finish	Aluminium, Steel plate, alumite process, black,
Operating humidity	< 90% RH (no condensation)
Operating temperature	-10°C to +40°C

DA-250FH

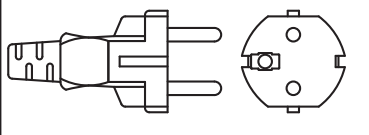
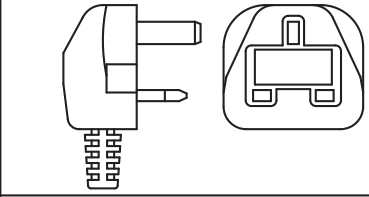
VOIR REF : DA-250FH CE 301 C00

Appearance



Other product versions CE-GB and CE-AU are available depending on the power cord type.

Rear View

MODEL	AC plug
CE301	
CE-GB	
CE-AU	