



# OWL

## FIRE ALARM MANAGEMENT AND MONITORING SOFTWARE

OWL is a highly advanced monitoring and controlling 'plug and play' software that facilitates simple and intuitive management of the Chameleon Network range of intelligent fire alarm control panels.

OWL's ultramodern and sophisticated graphical user interface (GUI) displays all devices, alarms and all the information about the status of the entire fire detection alarm system(s). The configuration file of the control panel is used to import the devices (loops, zones, texts and devices types). OWL is easy to operate, simple drag and drop icon placement provides easy device allocation within mapping.

Arranged in a simple and logical way, OWL's graphics and icons allow users to quickly identify and respond to fire alarms and faults in real time. Basic command actions such as 'activate sounders', 'silence sounders', 'silence buzzers' and 'system reset' can be activated in an intuitive way from the software's main page.

Simple control buttons allow the user to Enable/Disable field devices. Real-time device conditions and analogue values can also be obtained from all field devices via a menu selection.

All events are graphically displayed on the screen using a floor plan layout. The affected area(s) of the building are highlighted with flashing icons indicating exactly where the fire or fault is. Easy to operate, users can navigate through the different levels of the floor plans until reaching the right one. The software provides a cost-effective solution for all types of installations and is suitable for use with everything from a single panel system up to multi-panel and multi-site applications.

## KEY FEATURES

- Up to 64 systems can be connected, up to 16,000 connected devices
- Maximum number of simultaneously connected users: 5
- Image format: bmp, jpg, others
- Simple synchronisation of panel configuration and graphics database
- Global event log
- 2 groups of user levels (admin and operator)
- User-friendly configuration
- Selectable event notifications via Email and SMS
- Drag and drop icon placement provides easy device location mapping
- Available languages: English, Portuguese

## CONFIGURATION DIAGRAM

The configuration requires two steps:

- Connect the fire alarm panel to the PC using an TCP IP interface
- Import the .gfd file of the fire alarm installation (exported from the CHAMELEON CONNECTOR software) and configure the software



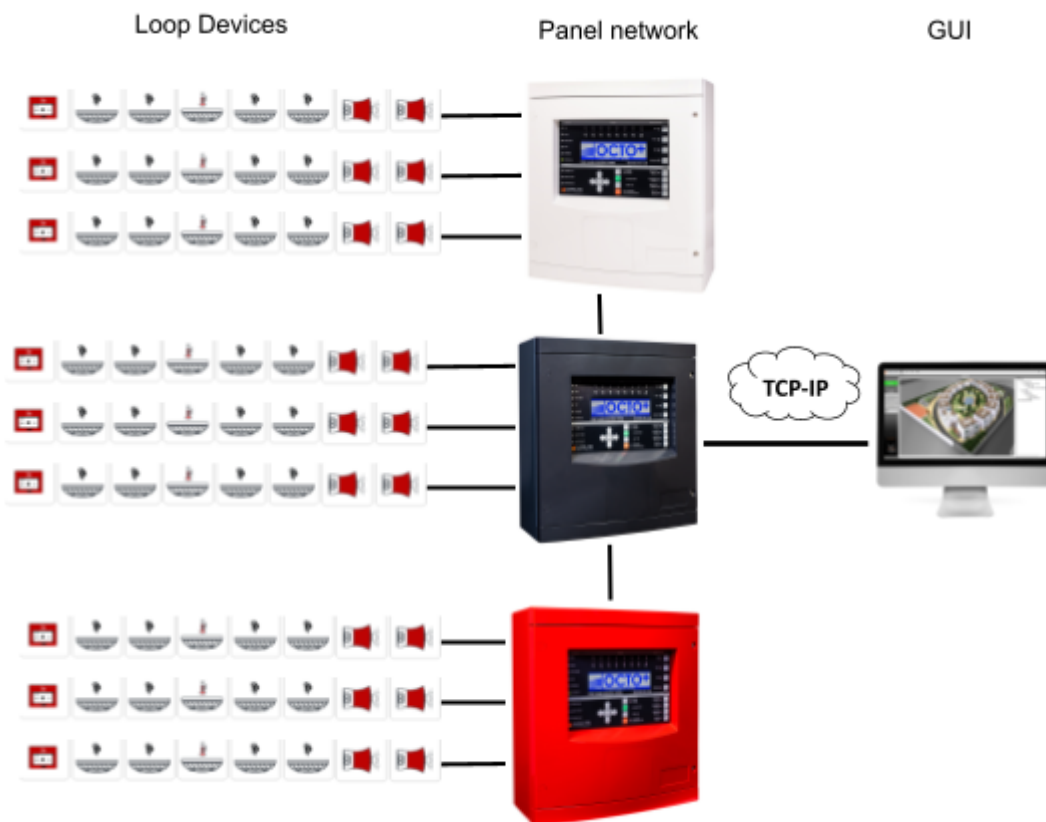
## NETWORK DIAGRAMS

OWL fire monitoring software supports:

- Single systems



- Multi-Panel systems



## TECHNICAL SPECIFICATIONS

HARDWARE	Processor 2 GHz (min.)
COMPATIBLE PANELS	OCTO+, GEKKO, NODE+, G-One
MAXIMUM SUPPORTED SYSTEMS	64
COMMUNICATION INTERFACES	TCP IP ( INT-TCP IP-ODY )
OPERATING SYSTEM	Windows 7 and above
MEMORY USAGE	RAM: 4 Gb / Hard Disk: 1GB
SUPPORTED SCREEN RESOLUTION	1280x720 (min.); 2560x1440 (max.)
DOWNLOAD LINK	<a href="https://globalfire-equipment.com/product/owl">https://globalfire-equipment.com/product/owl</a>

## ORDER CODE

<b>OWL Fire monitoring software</b>	1 PANEL LICENCE
-------------------------------------	-----------------

<b>OWL Fire monitoring software</b>	2-5 PANELS LICENCE
-------------------------------------	--------------------

<b>OWL Fire monitoring software</b>	6 OR MORE PANELS LICENCE
-------------------------------------	--------------------------