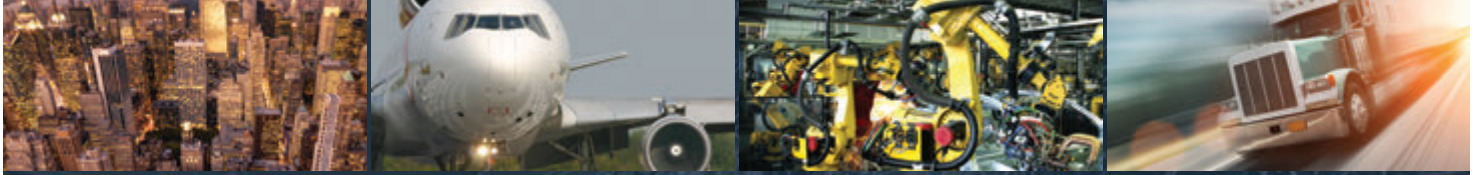


Look to the future,
trust our past



Powering Business Worldwide



Energizing a world that demands more.

We deliver:

- **Electrical solutions** that use less energy, improve power reliability and make the places we live and work safer and more comfortable
- **Hydraulic and electrical solutions** that enable machines to deliver more productivity without wasting power
- **Aerospace solutions** that make aircraft lighter, safer and less costly to operate, and help airports operate more efficiently
- **Vehicle drivetrain and powertrain solutions** that deliver more power to cars, trucks and buses, while reducing fuel consumption and emissions

Discover today's Eaton.

Powering business worldwide

As a global power management company, we help customers worldwide manage the power needed for buildings, aircraft, trucks, cars, machinery and businesses.

Eaton's innovative technologies help customers manage electrical, hydraulic and mechanical power more reliably, efficiently, safely and sustainably.

We provide integrated solutions that help make energy, in all its forms, more practical and accessible.

Eaton is a power management company with 2020 sales of \$17.9 billion. Eaton has approximately 95,000 employees and sells products to customers in more than 175 countries.

[Eaton.com](https://www.eaton.com)



Powering Business Worldwide

08 i-on panel range



19 App & Cloud



20 i-wifi01



22 Wired panel range



28 Keypads



34 Cameras



37 Expanders



41 Keyfobs



43 Detectors



63 Communicators



72 Sounders



78 Relay cards



80 Transmitters & receivers



88 Installation accessories

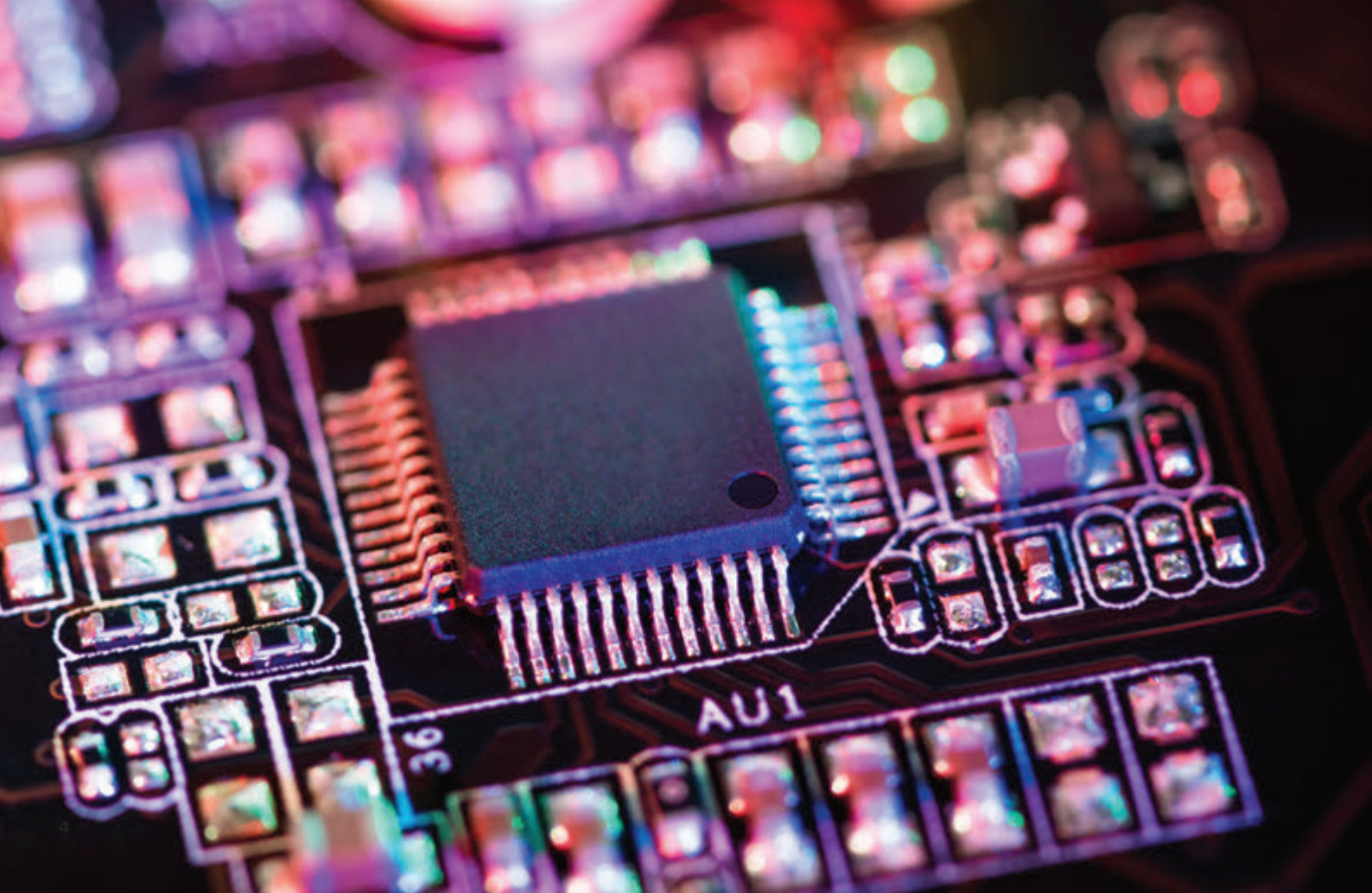


About us.

Eaton's Electrical Products offers a diverse product portfolio developed by a team of experts whose knowledge and experience is unrivalled in the industry.



Quality, reliability and resilience are designed into our products from the outset.



Technology you can rely on.

Scantronic and i-on's multi-zone hardwired, radio and hybrid intruder systems; digital and voice communicators; and detectors are synonymous with quality and suitable for use in residential and commercial installations.

Sophisticated levels of security can be found across the Scantronic and i-on range. For example the i-on40H is an EN50131 Grade 2, 40 zone control panel with superior features including: Built-in web server, IP and camera connectivity, 10 wired zones on board and expandability. Our range is now enhanced by panels such as this all featuring App and Cloud support, email, SIA-IP, and perimeter zones.

All products within the Scantronic and i-on family use the same peripherals, programming style and benefit from world class radio performance.

Scantronic and i-on at a glance...

- Unrivalled connectivity: App/Cloud, SIA-IP, Webserver and Email
- Independent testing and certification to EN50131 and other country specific standards
- The ability to accommodate up to 1000 zones
- Push button addressing
- Remote security monitoring
- Uses standard bus cable with a high tolerance for daisy chain or star configurations

Setting the standard

We operate to ISO 9001 quality and ISO 14001 environmental standards.

We are also committed to having our products independently tested, verified and approved to EN50131 by some of Europe's most stringent third-party testing laboratories. In addition, many of our products are certified to the following country specific standards:

- NFA2P: France
- INCERT: Belgium
- VSÖ: Austria
- VdS: Germany

Further information is available from your local Eaton Organisation.

As well as being a member of the British Security Industry Association (BSIA), we are also approved by the British Standards Institute (BSI).

Built to last

Quality, reliability and resilience are designed into our products from the outset.

We positively engage with customers to fully understand their specific requirements and develop solutions that meet real-life needs.

Wireless intruder alarm panel

The i-on Compact is a fully featured wireless security panel that brings next-generation cloud capabilities to residential and small commercial properties. The wireless intruder panel, with built-in keypad, offers up to 20 radio zones and can be programmed, managed and serviced remotely by installers via Eaton SecureConnect™.



Built with cyber security in its DNA the i-on Compact is Eaton SecureConnect™ Cloud and App enabled

Multiple communication options

Built-in Ethernet port and optional PSTN or GSM allow you to tailor installations to the properties' needs.

Eaton SecureConnect™ Cloud and App

Control and monitor your panel through the cloud 24/7 anytime anywhere across multiple locations. Provide your customers with a secure App for convenient control of their system ensuring peace of mind.

Simple visual verification

Connect Eaton security cameras to the i-on Compact panel to provide an additional layer of security.

Capturing images locally on an SD card and view through App or email

At a glance...

- 20 radio zones
- Built in communications (SIA IP ARC) as standard
- End User App for Arm/Disarm & push notifications of events
- Built in Ethernet port with web server and virtual keypad
- Visual verification
- Perimeter zone functionality
- Radio Arming Station (KEY-RAS)
- Plug on ARC/Speech/SMS for PSTN/GSM
- Plug on 4G module for cloud connectivity
- Class leading Scantronic radio
- Email notifications
- EN50131 Grade 2 PD6662:2017 Grade 2

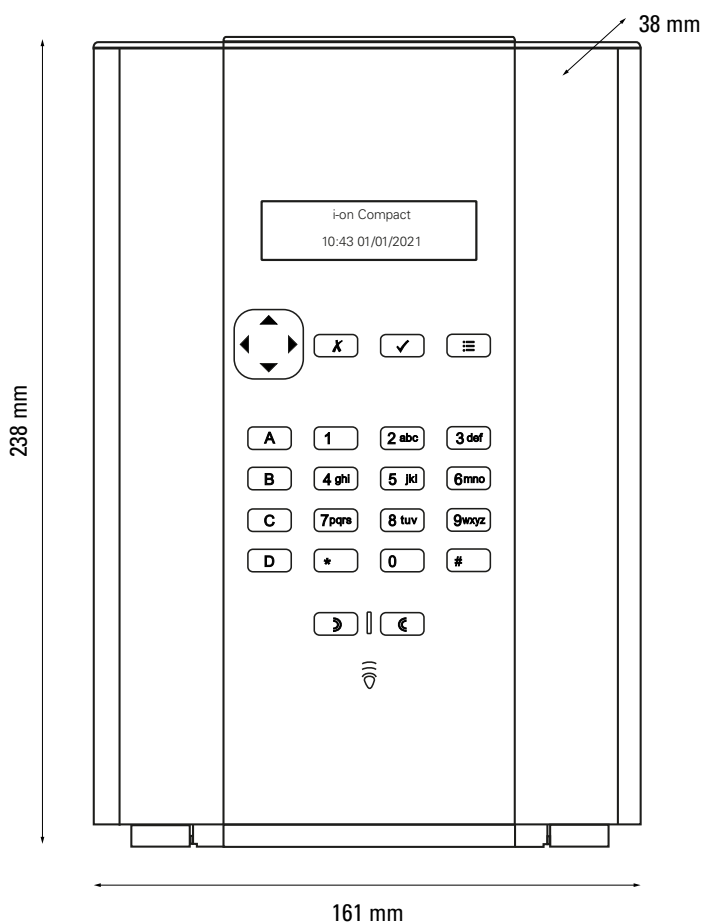


Powering Business Worldwide

Scantronic product data sheet

Product specification

| | |
|----------------------------|---|
| Product code | COMPACT / COMPACT-EU Also available as kits |
| Compliance | EN50131-1:2006 + A1:2009 Grade 2 and environmental class II, EN50131-3:2009, EN50131-6:2008, BS8243:2010, PD6662:2017 |
| Zones on board | 20 radio zones |
| Event log | 250 mandatory event logs and 50 non mandatory events |
| Number of users | 20 users |
| Number of outputs | 20 radio outputs |
| Number of part sets | 1 full set and 3 part sets |
| Power supply | 500mA switch mode |
| Battery (maximum capacity) | COMPACT-BAT01: 6 x NimH cell battery pack |
| Temperature range | Environmental class II. Tested -10°C to 55°C @ 93% RH |
| Weight | 710g (with battery) |
| Dimensions | 238mm (h) x 161mm (w) x 38mm (d) |



Compare product compatibility with our easy to read chart: www.eaton.com/security-works-with

Eaton
Electrical Sector
EMEA Route de la Longeraie 7
1110 Morges, Switzerland

Eaton Electrical Products Ltd
Security House,
Vantage Point Business Village,
Mitcheldean, Gloucestershire
GL17 0SX

Tel: +44 (0)1594 545 400
Email: securitysales@eaton.com
Web: www.myscantronic.com

Eaton is a registered trademark of Eaton Corporation.

All other trademarks are property of their respective owners.

SecureConnect enabled Scantronic kits

Multiple communication options

All with built-in Ethernet port and optional PSTN, GSM and 4G plug on modules allowing you to tailor installations to the property's needs.

SecureConnect™ Cloud and App

Control and monitor all panels through the cloud 24/7 anytime anywhere across multiple locations. Provide your customers with a secure App for convenient control of their system ensuring peace of mind.





i-on Compact

The i-on Compact is a starter-level security panel that brings next-generation cloud capabilities to residential and small commercial properties. The wireless intruder panel, with built-in keypad, offers up to 20 radio zones and can be programmed, managed and serviced remotely by installers via SecureConnect™.

Built with cyber security in its DNA the i-on Compact is SecureConnect™ Cloud and App enabled.

i-on Compact Kits

20 zone panel with integrated keypad

| | Part no. | Description |
|---|-------------------------|---|
|  | COMPACT-KIT | Kit contains: <ul style="list-style-type: none">• 3 x Pet tolerant PIR (XCELRPT)• 1 x Door contact (DET-RDC-W)• 1 x Remote control (FOB-2W-4B)• 1 x Blue sounder base (SDR-REXT-G2-BL-NC) |
|  | COMPACT-KIT-RD | Kit contains: <ul style="list-style-type: none">• 3 x Pet tolerant PIR (XCELRPT)• 1 x Door contact (DET-RDC-W)• 1 x Remote control (FOB-2W-4B)• 1 x Red sounder base (SDR-REXT-G2-RD-NC) |
|  | COMPACT-KIT-4G | Kit contains: <ul style="list-style-type: none">• 3 x Pet tolerant PIR (XCELRPT)• 1 x Door contact (DET-RDC-W)• 1 x Remote control (FOB-2W-4B)• 1 x Blue sounder base (SDR-REXT-G2-BL-NC)• 1 x 4G Data module (COM-DATA-4G) |
|  | COMPACT-KIT-WiFi | Kit contains: <ul style="list-style-type: none">• 3 x Pet tolerant PIR (XCELRPT)• 1 x Door contact (DET-RDC-W)• 1 x Remote control (FOB-2W-4B)• 1 x Blue sounder base (SDR-REXT-G2_BL-NC)• 1 x WiFi Communicator (I-WIFI01) |

Unlock your potential and grow your business, book free training today

Eaton has free one-day courses available to installers of any level. Whether you're new to the industry and just learning the fundamentals or experienced and look to get up to speed with the latest technological advancements including SecureConnect, Eaton has a course for you.

To book either visit [Eaton.com/SecureConnect](https://www.eaton.com/SecureConnect) or call **+44 (0)1594 545454**




SecureConnect enabled Scantronic kits

i-on30R



The i-on30R is a versatile hybrid security panel that brings next-generation cloud capabilities to residential and small commercial properties. It can be expanded from 30 zones up to 60 and supports wired and radio remote keypads. Built with cyber security in its DNA the i-on30R is SecureConnect Cloud and App enabled.

i-on30R Kits (wireless keypad)

30 zone, expandable to 60 zone panel with remote wired or wireless keypad

| | Part no. | Description |
|---|--------------------------|--|
|  | i-on30RKIT-RKP | Kit contains: <ul style="list-style-type: none">• 3 x Pet tolerant PIR (XCELRPT)• 1 x Door contact (DET-RDC-W)• 5 x Proximity tags (PROXTAGPK5)• 1 x Wireless remote keypad (KEY-RKPZ-KIT) |
|  | i-on30RKIT-RKP-BL | Kit contains: <ul style="list-style-type: none">• 3 x Pet tolerant PIR (XCELRPT)• 1 x Door contact (DET-RDC-W)• 5 x Proximity tag (PROXTAGPK5)• 1 x Blue sounder base (SDR-REXT-G2-BL-NC)• 1 x Wireless remote keypad (KEY-RKPZ-KIT) |
|  | i-on30RKIT-RKP-RD | Kit contains: <ul style="list-style-type: none">• 3 x Pet tolerant PIR (XCELRPT)• 1 x Door contact (DET-RDC-W)• 5 x Proximity tag (PROXTAGPK5)• 1 x Red sounder base (SDR-REXT-G2-RD-NC)• 1 x Wireless remote keypad (KEY-RKPZ-KIT) |

i-on30R Kits (wired keypad)

| | Part no. | Description |
|---|--------------------------|--|
|  | i-on30RKIT-WKP | Kit contains: <ul style="list-style-type: none">• 3 x Pet tolerant PIR (XCELRPT)• 1 x Door contact (DET-RDC-W)• 5 x Proximity tag (PROXTAGPK5)• 1 x Wired remote keypad (KEY-KPZ01) |
|  | i-on30RKIT-WKP-BL | Kit contains: <ul style="list-style-type: none">• 3 x Pet tolerant PIR (XCELRPT)• 1 x Door contact (DET-RDC-W)• 5 x Proximity tag (PROXTAGPK5)• 1 x Blue sounder base (SDR-REXT-G2-BL-NC)• 1 x Wired remote keypad (KEY-KPZ01) |

**To find out more about SecureConnect:
Visit [Eaton.com/SecureConnect](https://www.eaton.com/SecureConnect)**

Wireless intruder alarm panel

The i-on30R, a 30 zone radio panel offers straightforward secure configuration using the enhanced web browser and is compatible with Eaton's full range of radio peripherals and plug on communicators.



Built with cyber security in its DNA the i-on30R is Eaton SecureConnect™ Cloud and App enabled

Multiple communication options Built-in Ethernet port and optional PSTN or GSM or 4G allows you to tailor installations to the properties' needs.

Eaton SecureConnect™ Cloud and App Control and monitor your panel through the cloud 24/7 anytime anywhere across multiple locations. Provide your customers with a secure App for convenient control of their system ensuring peace of mind.

Simple visual verification Connect Eaton security cameras to the i-on30R panel to provide an additional layer of security. Capturing images locally on an SD card and view through App or email.

At a glance...

- 30 zones on-board expandable to 60
- Hybrid expansion using EXP-R10/R30/W10/PSU
- Built in Ethernet with web server and virtual keypad
- Visual verification
- Perimeter zone functionality
- SMS control
- Plug on ARC/Speech/SMS for PSTN/GSM
- Class leading Scantronic radio
- Email notifications
- EN50131 Grade 2

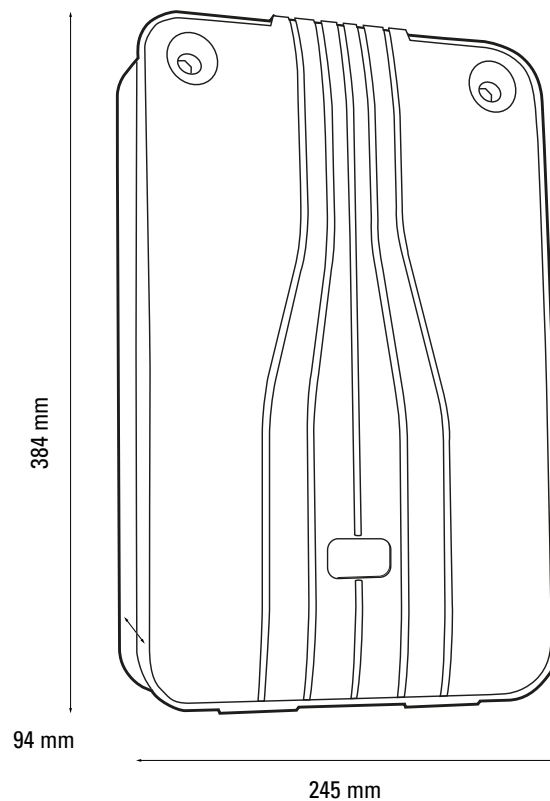


Powering Business Worldwide

Scantronic product data sheet

Product specification

| | |
|---------------------|---|
| Product code | i-on30R (also available as a variety of kits) |
| Compliance | EN50131-1:2006 + A1:2009 Grade 2 and environmental class II, EN50131-3:2009, EN50131-6:2008, BS8243:2010, PD6662:2017 |
| Zones on board | 30 Radio on board, expandable to 60, with wired or radio expanders all fully programmable |
| Bus | Accepts up to 20 bus devices (keypads, expanders and power supplies) |
| Number of users | 30 user codes, 4 digit PIN number, proximity, remote control or radio panic button |
| Number of outputs | Two 500mA open collector programmable outputs & 10 radio outputs on panel |
| Visual Verification | Up to 4 IP cameras |
| Power supply | Conforms to EN50131-6:2008 Type A power supply, rated power output 1.0A. 650mA is available for auxiliary power |
| Battery | Accepts a 12v standby battery up to 7Ah rechargeable lead acid, gel type |
| Temperature range | Environmental class II. Tested -10°C to 55°C @ 93% RH |
| Sounders | Internal: One independently controlled 16 Ω speaker & 4 internal radio sounders External: Dedicatated siren and strobe open collector output & 4 External radio sirens |
| Weight | 2.2kg |
| Dimensions | 384 mm x 245 mm x 94 mm |



Compare product compatibility with our easy to read chart: www.eaton.com/security-works-with

Eaton
Electrical Sector
EMEA Route de la Longeraie 7
1110 Morges, Switzerland

Eaton Electrical Products Ltd
Security House,
Vantage Point Business Village,
Mitcheldean, Gloucestershire
GL17 0SX

Tel: +44 (0)1594 545 400
Email: securitysales@eaton.com
Web: www.myscantronic.com

Eaton is a registered trademark of Eaton Corporation.

All other trademarks are property of their respective owners.

40 zone hybrid control panel

The i-on40H is a highly versatile control panel. With 40 zones out of the box it is expandable up to 80 hybrid zones. It is suitable for larger floor plans and properties with outbuildings and is compatible with Eaton's full range of wired and radio peripherals and plug on communicators.



Built with cyber security in its DNA, the i-on40H is Eaton SecureConnect™ Cloud and App enabled.

Multiple communication options

Built-in Ethernet port and optional PSTN or GSM allows you to tailor installations to the properties needs.

Eaton SecureConnect™ Cloud and App

Control and monitor your panel through the cloud anytime anywhere. Provide your customers with peace of mind with a secure App for convenient control of their system.

Simple visual verification

Connect Eaton security cameras to the i-on40H panel for an additional layer of security. Capture images locally on an SD card and view through App or email.

At a glance...

- 30 radio and 10 wired zones expandable to 80
- Hybrid expansion using EXP-R10/R30/W10/PSU
- Ethernet / web server / virtual keypad
- Visual verification
- Perimeter zone functionality
- Plug on ARC/Speech/SMS for PSTN/GSM
- Class leading Scantronic radio
- Email notifications
- EN50131 Grade 2: Independently approved

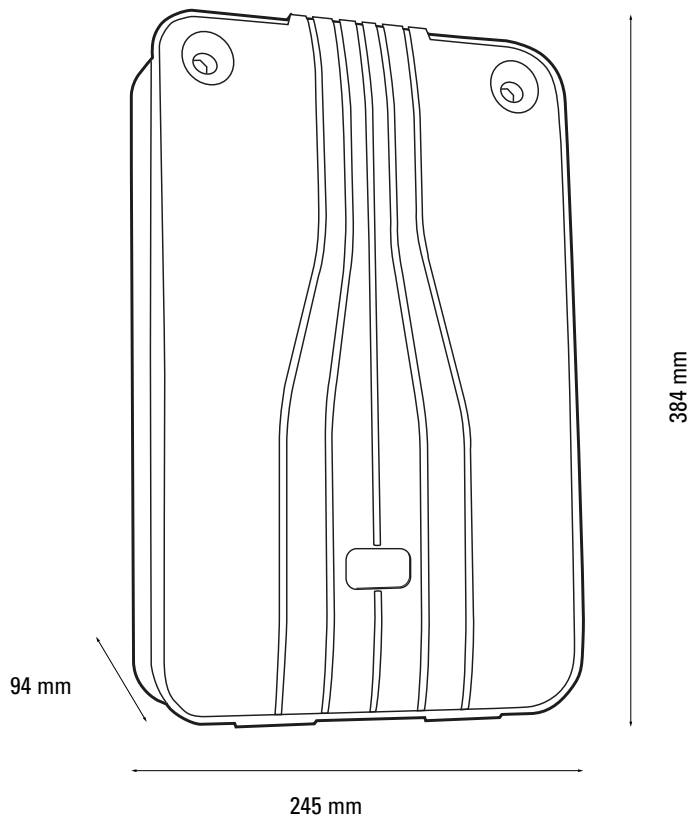


Powering Business Worldwide

Scantronic product data sheet

Product specification

| | |
|-----------------------|--|
| Product Code | i-on40H-KPZ (Supplied with KEY-KPZ01) |
| Compliance | EN50131-1:2006 + A1:2009 Grade 2 and environmental class II, EN50131-3:2009, EN50131-6:2008, BS8243:2010, PD6662:2017 |
| Zones on board | 30 Radio and 10 wired on board, expandable to 80, all fully programmable |
| Total number of buses | One which accepts up to 20 bus devices (keypads, expanders and power supplies) |
| Number of users | 50 user codes, 4 digit PIN number, proximity, remote control or radio panic button |
| Number of outputs | Two programmable relay outputs. Two 500mA open collector programmable outputs. 12 low-current outputs for plug-by communicators and 10 radio outputs |
| Visual Verification | Up to 4 IP cameras |
| Power supply | Conforms to EN50131-6:2008 Type A power supply, rated power output 1.0A. 650mA is available for auxiliary power |
| Battery | Accepts a 12v standby battery up to 7Ah rechargeable lead acid, gel type |
| Temperature range | Environmental class II. Tested -10°C to 55°C @ 93% RH |
| Weight | 2.2kg |
| Dimensions | 384 x 245 x 94mm |



Compare product compatibility with our easy to read chart: www.eaton.com/security-works-with

Eaton
Electrical Sector
EMEA Route de la Longeraie 7
1110 Morges, Switzerland

Eaton Electrical Products Ltd
Security House,
Vantage Point Business Village,
Mitcheldean, Gloucestershire
GL17 0SX

Tel: +44 (0)1594 545 400
Email: securitysales@eaton.com
Web: www.myscantronic.com

Eaton is a registered trademark of Eaton Corporation.

All other trademarks are property of their respective owners.

Expandable 50 zone control panel



The i-onG2SM is a Grade 2 control panel with 10 zones on board, expandable to 50, and feature-packed to deliver you real benefits. Built with cyber security in its DNA the i-onG2SM is SecureConnect™ Cloud and App enable.

Decimal expansion system

Expanders have 10 zones in addition to the 10 zones on the end station. It provides 25% more zones per expander than traditional 8 zone expanders. A 30 zone radio expander is also available.

Performance bus

Fit up to 20 bus devices: expanders, keypads or power supplies.

Semi-auto addressing

Prevents address duplication for bus mounted devices, saving hours of installation diagnostic time.

Audible bus device tracing

Locate any bus device quickly and easily. Reduce the time taken to complete maintenance and service calls.

At a glance...

- Ten zones expandable to 50
- 50 user codes
- SecureConnect™ enabled
- Range of keypad options
- App for end user control and notification
- Common programming across the range

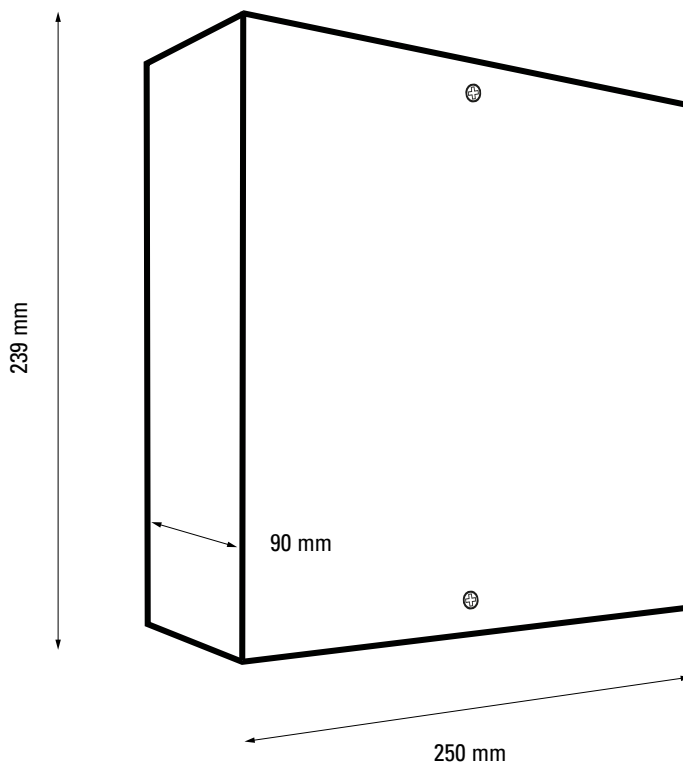


Powering Business Worldwide

Scantronic product data sheet

Product specification

| | |
|-----------------------------------|--|
| Product Code | i-onG2SM-KPZ |
| Compliance | EN50131 PD662:2017 Grade 2 |
| Zones on board | 10 |
| Total number of buses | 1 |
| Number of users | 50 |
| Number of outputs | 50 system plus 12 communicator |
| Number of part sets per partition | 3 |
| Number of partitions | 5 |
| Power supply | 1A |
| Battery (maximum capacity) | 1 * 7Ah |
| Temperature range | Environmental class 2 -10°C to 55°C 93% RH |
| Weight | 2.8Kg - Panel without battery |
| Event log size | 1,500 |
| Remote communications | Ethernet included. Choice of plug on communicators for PSTN, GSM or 4G |
| Micro sd card | Yes |
| Dimensions | 239mm (h) x 250mm (w) x 90mm (d) |



Compare product compatibility with our easy to read chart: www.eaton.com/security-works-with

Eaton
Electrical Sector
EMEA Route de la Longeraie 7
1110 Morges, Switzerland

Eaton Electrical Products Ltd
Security House,
Vantage Point Business Village,
Mitcheldean, Gloucestershire
GL17 0SX

Tel: +44 (0)1594 545 400
Email: securitysales@eaton.com
Web: www.myscantronic.com

Eaton is a registered trademark of Eaton Corporation.

All other trademarks are property of their respective owners.

Expandable 200 zone control panel



Built with cyber security in its DNA the i-onG3MM is SecureConnect™ Cloud and App enabled

Decimal expansion system

It provides 25% more zones per expander than traditional 8 zone expanders. Expanders have 10 zones in addition to the 10 zones on the end station. This makes it easy to locate zones and reduces the total number of expanders required. A 30 zone radio expander is also available.

Performance bus

2 buses with flexibus to provide maximum installation flexibility. Connect expanders and keypads to any bus and address them as though there was only a single bus. Maximum of 50 bus devices.

Semi-auto addressing

Prevents address duplication for bus mounted devices, saving hours of installation diagnostic time.

Audible bus device tracing

Locate any bus device quickly and easily. Reduce the time taken to complete maintenance and service calls.

At a glance...

- SecureConnect enabled
- Range of keypad options
- App for end user control and notification
- Common programming across the range

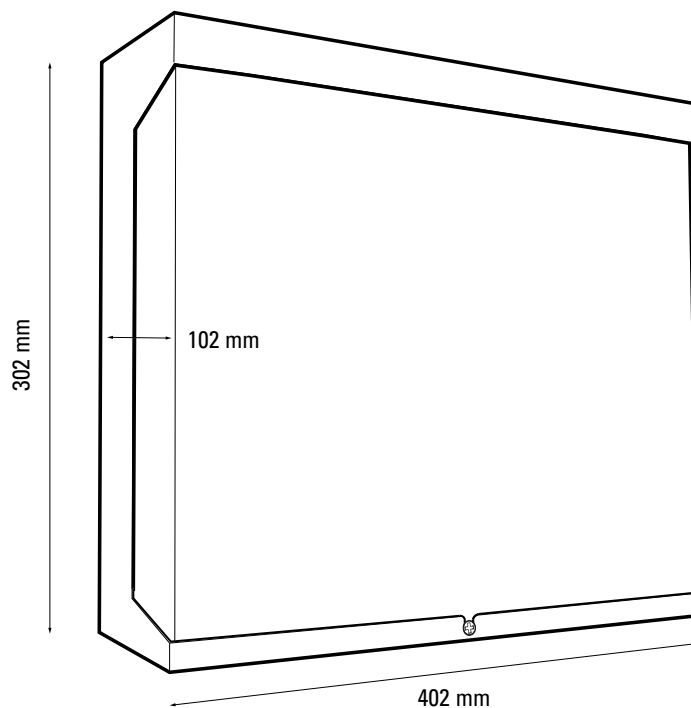


Powering Business Worldwide

Scantronic product data sheet

Product specification

| | |
|-----------------------------------|--|
| Product code | i-onG3MM |
| Compliance | EN50131 PD6662:2017 Grade 2 or 3 |
| Zones on board | 10 |
| Total zone capacity | 200 |
| Total number of buses | 2 - Flexibus |
| Number of users | 200 |
| Number of outputs | 200 plus 16 communicator |
| Maximum number of partitions | 20 |
| Number of part sets per partition | 3 |
| Power supply | 2A |
| Battery (maximum capacity) | 1 * 17Ah |
| Temperature range | Environmental class 2 -10°C to 55°C 93% RH |
| Weight | 4.5Kg panel without battery |
| Remote communications | Ethernet included. Choice of plug on communicators for PSTN, GSM or 4G |
| Communications security | SSL/TLS - when communicating with SecureConnect™ App or Cloud |
| Dimensions | 320mm (h) x 402mm (w) x 102mm (d). |



Compare product compatibility with our easy to read chart: www.eaton.com/security-works-with

Eaton
Electrical Sector
EMEA Route de la Longeraie 7
1110 Morges, Switzerland

Eaton Electrical Products Ltd
Security House,
Vantage Point Business Village,
Mitcheldean, Gloucestershire
GL17 0SX

Tel: +44 (0)1594 545 400
Email: securitysales@eaton.com
Web: www.myscantronic.com

Eaton is a registered trademark of Eaton Corporation.

All other trademarks are property of their respective owners.

Expandable up to 400 zones control panel

The i-onG3LM is selectable as a Grade 2 or Grade 3 control panel with 10 FSL zones, expandable up to 400 zones making it ideal for large commercial properties. Built with cyber security in its DNA the i-onG3LM is SecureConnect™ Cloud and App enabled.



Decimal expansion system

It provides 25% more zones per expander than traditional 8 zone expanders. Expanders have 10 zones in addition to the 10 zones on the end station. This makes it easy to locate zones and reduces the total number of expanders required. A 30 zone radio expander is also available.

Performance bus

4 buses with flexibus to provide maximum installation flexibility. Connect expanders and keypads to any bus and address them as though there was only a single bus.

Semi-auto addressing

Prevents address duplication for bus mounted devices, saving hours of installation diagnostic time.

Audible bus device tracing

Enables an installer to locate any bus device quickly and easily; reducing the time taken to complete maintenance and service calls.

At a glance...

- Webservice built-in
- SecureConnect™ enabled
- App for end user control and notification
- Can accommodate up to two 17 Ah batteries which are independently charged & monitored
- Four outputs (two clean contact relay, two transistorised)
- 16 communication outputs
- Ten FSL zones, expandable to 400

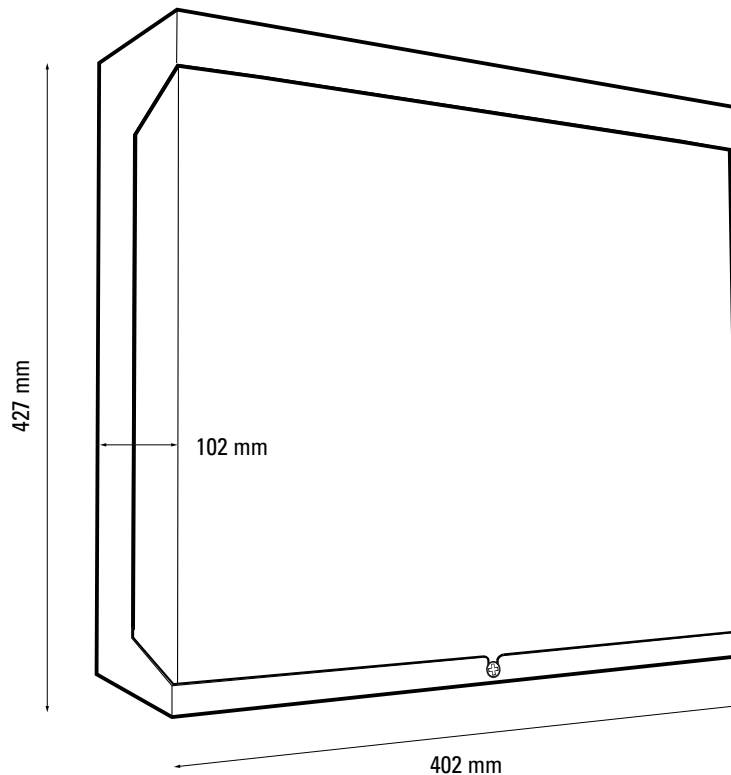


Powering Business Worldwide

Scantronic product data sheet

Product specification

| | |
|-----------------------------------|--|
| Product code | i-onG3LM-KPZ (includes keypad) |
| Compliance | EN50131 PD6662:2017 Grade 2 or 3 |
| Zones on board | 10 |
| Total zone capacity | 400 |
| Total number of buses | 4 with flexibus |
| Number of users | 400 |
| Number of outputs | 400 plus 16 communicator |
| Maximum number of partitions | 50 |
| Number of part sets per partition | 3 |
| Power supply | 3A |
| Battery (maximum capacity) | 2 * 17Ah |
| Temperature range | Environmental class 2 -10°C to 55°C 93% RH |
| Weight | 6Kg Panel without batteries |
| Remote communications | Ethernet included, Choice of plug on Communicators for PSTN, GSM or 4G |
| Communications security | SSL/TLS - when communicating with SecureConnect App or Cloud |
| Dimensions | 427mm (h) x 402mm (w) x 102mm (d) |



Compare product compatibility with our easy to read chart: www.eaton.com/security-works-with

Eaton
Electrical Sector
EMEA Route de la Longeraie 7
1110 Morges, Switzerland

Eaton Electrical Products Ltd
Security House,
Vantage Point Business Village,
Mitcheldean, Gloucestershire
GL17 0SX

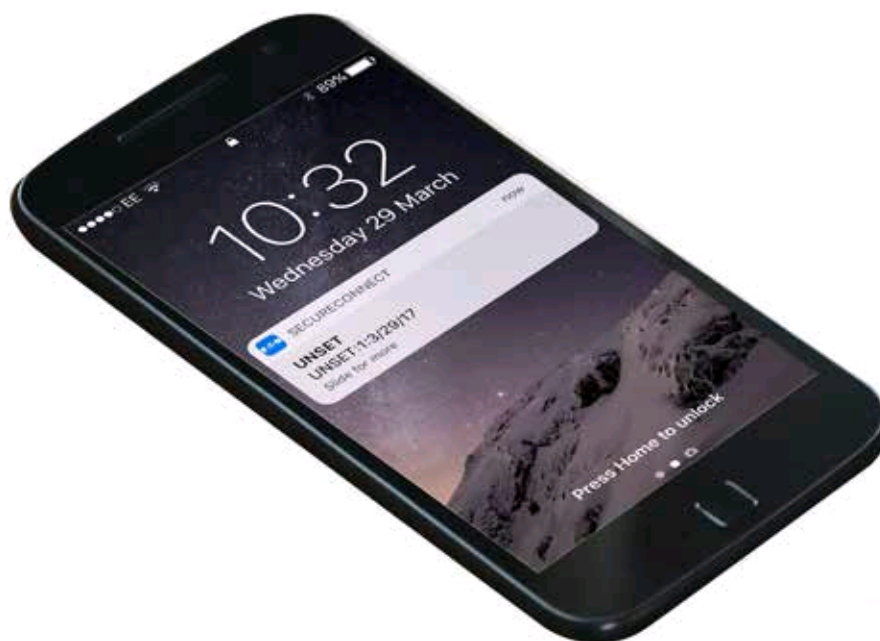
Tel: +44 (0)1594 545 400
Email: securitysales@eaton.com
Web: www.myscantronic.com

Eaton is a registered trademark of Eaton Corporation.

All other trademarks are property of their respective owners.

Eaton SecureConnect™ end-user app

Eaton SecureConnect™ is a smart intruder solution offering property owners 24/7 control over their security system from anywhere in the world through a user-friendly mobile app available for iOS and Android operating systems.



At a glance:

- Real-time push notifications of system activity are sent directly to the end-users smart device alerting them to events whether home or away.
- Allows users to set or unset their system remotely and receive visual verification of events instantly.
- Eaton's securely encrypted app is equipped with facial and fingerprint recognition and has been rigorously tested and approved by Eaton's Cyber-Security Centre of Excellence.
- Available on Eaton's second generation Scantronic i-on burglar alarm panels- i-on Compact, i-on30R, i-on40H, i-onG2SM, i-onG3MM and i-onG3LM
- Users can set the system with their voice thanks to integration with Google Home and Alexa
- The security alarm panels that connect to SecureConnect are the first in the market to be third party accredited to UL:2900-2-3 level 3 for cybersecurity

Compare product compatibility with our easy to read chart: www.eaton.com/security-works-with

SecureConnect

Uniquely accredited with the enhanced UL:2900-2-3 in 2020, Eaton SecureConnect is the first and only smart security management system to have reached this standard.



Installer Cloud - Easy access from any internet browser

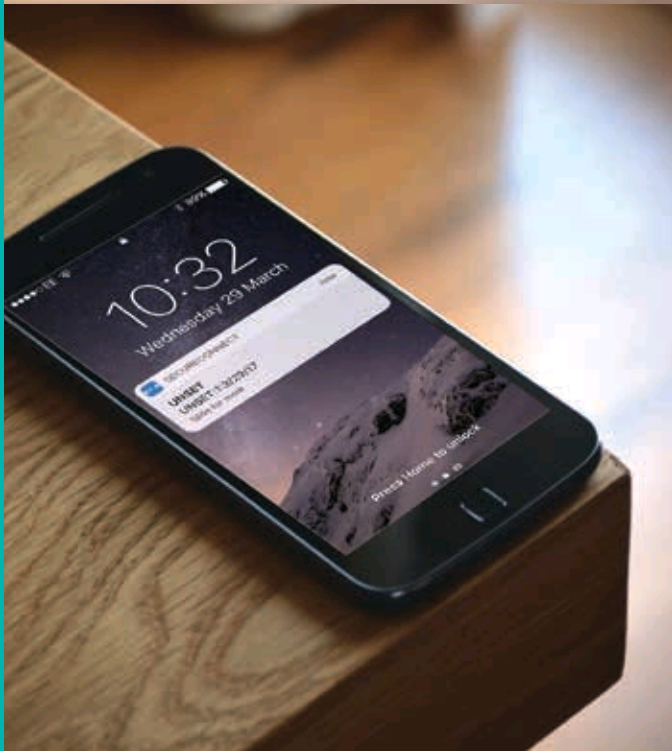
The online SecureConnect portal interacts with the Cloud to empower installers and make monitoring customers' systems simple through a user-friendly interface delivering control and convenience.

- Manage all of your panels from anywhere in your own assigned area on the Eaton Cloud
- Perform remote configuration diagnostics and software updates on all connected panels
- Connect any SecureConnect enabled panel to the Cloud without the need for complex router configuration
- Enable or disable end-user access
- Available online through internet browsers at:
www.eatonsecureconnect.com

User mobile App - Peace of mind at a glance

The SecureConnect App allows home owners and property managers to conveniently monitor and control their home or premises 24/7 from anywhere.

- Set, unset and part set alarm systems, switch outputs on/off
- Monitor and control their system from a smart device
- Confirms the security of users properties with real-time notifications
- Verifies events by delivering high-quality images to the users' smart device
- Available through the Google Play and Apple App stores



Wi-Fi adaptor

The Eaton Wi-Fi adaptor is an easy to configure wireless network device designed for use with the SecureConnect enabled Scantronic i-on panels. Powered, connected and installed internally, the Wi-Fi adaptor eliminates the need to run an Ethernet cable to a local network router. The connectivity features of Eaton SecureConnect™ App and Cloud control and IP cameras are all supported over the wireless connection.



Smart setup

Simple setup via a web interface, allowing you to use a smartphone, tablet or laptop to configure the unit.

Discreet design

Its compact design ensures our IP adaptor can be installed inside Eaton's full range of Scantronic's non-metal i-on alarm panels.

Quick installation

Wireless connection removes the need to run cables through a building and slow down installation time.

Easy connection to Eaton SecureConnect™

Connecting an Eaton Wi-Fi adaptor to your panel enables wireless ARC reporting, communication with IP cameras and control over your security system through Eaton SecureConnect App and Cloud.

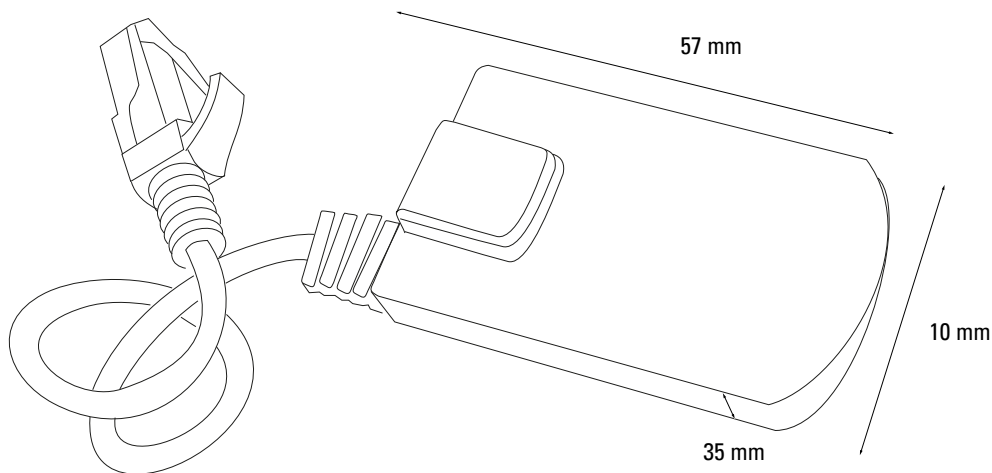


Powering Business Worldwide

Scantronic product data sheet

Product specification

| | |
|------------------------------|--------------------|
| Product Code | i-wifi01 |
| Power supply | 12V |
| Operating temperature | -10 to +55 |
| Radio frequency | 2.4GHz |
| Environmental class | Class II |
| Antenna | Internal |
| Enclosure material | Plastic |
| Technology type | WiFi |
| Ethernet cable length | 100 mm |
| DC-DC converted cable length | 180 mm |
| Dimensions | HxWxDmm – 57x10x35 |



Compare product compatibility with our easy to read chart: www.eaton.com/security-works-with

Eaton
Electrical Sector
EMEA Route de la Longeraie 7
1110 Morges, Switzerland

Eaton Electrical Products Ltd
Security House,
Vantage Point Business Village,
Mitcheldean, Gloucestershire
GL17 0SX

Tel: +44 (0)1594 545 400
Email: securitysales@eaton.com
Web: www.myscantronic.com

Eaton is a registered trademark of Eaton Corporation.

All other trademarks are property of their respective owners.

Multibus Expandable 1000 zone control panel



Decimal expansion system/ Performance bus

The multibus has 10 bus lines and supports up to 250 bus devices giving 100 zones per bus, scaling up to 1000 expandable zones. With the additional flexibility of bus pairing this can be increased to 200 zones per bus. Zone identification on expanders is now considerably easier.

Installers can fit up to a total of 250 devices on to the multibus panel allowing far greater and more flexible expansion than any other panel on the market.

Semi-auto addressing

Prevents address duplication for bus mounted devices, saving hours of installation diagnostic time.

Audible bus device tracing

Enables an installer to locate any bus device quickly and easily; reducing the time taken to complete maintenance and service calls.

Advanced building control system to add security and offer enhanced energy management. Suitable for use in commercial environments such as educational establishments, offices and government buildings.

At a glance...

- 1km data cable on each bus using standard alarm cable with high tolerance for daisy chain or star configurations
- 250 bus devices (25 per bus)
- 1000 zones and users
- 1000 outputs (wired or radio)
- Push button addressing
- 50 partitions/wards
- 5000 mandatory log events

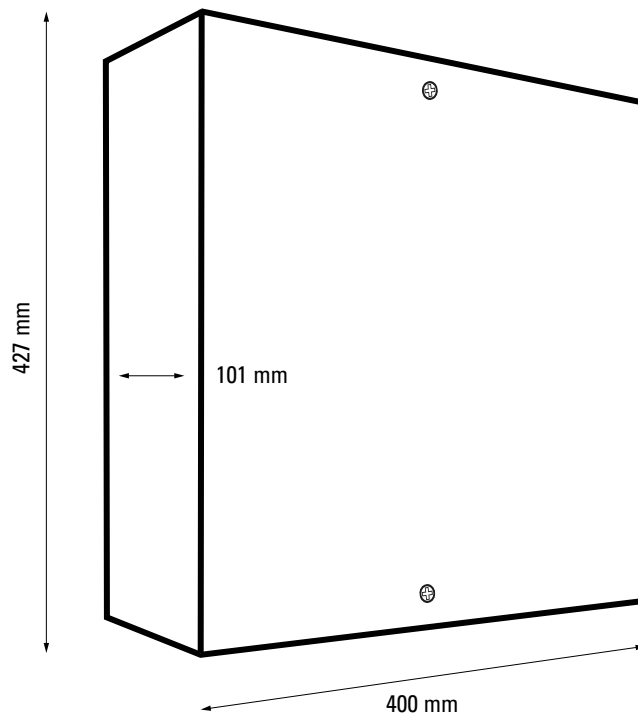


Powering Business Worldwide

Scantronic product data sheet

Product specification

| | |
|-------------------|---|
| Product code | i-on1000EXKP I-on1000EXEUR |
| Compliance | PD6662:2017, EN50131-1:2006 and A1:2009 Grade 2 or 3 and environmental class 2 EN50131-3:2009, EN50131-6:2008, BS8243:2010 |
| Zones on board | Expandable to 1000 fully programmable zones |
| Buses | 10 dependent buses (5 when paired) |
| Bus devices | Accepts up to 250 (25 per bus. 50 when paired) bus devices (of which 1 must be a keypad) |
| Number of users | Up to 1000 users with 4 or 6 digit user codes, with the option for each user to add a proximity tag, radio remote control* and radio panic button* *Requires radio expander fitted |
| Outputs | Bell and strobe, four relay outputs, four 500mA open collector programmable outputs, 16 communications low-current outputs |
| Power supply | 3Amps, conforms to EN50131-6 Type A power supply, rated power output 1.1Amps whilst charging two 17Ah batteries |
| Battery | Accepts two 12v standby batteries up to 17Ah rechargeable lead acid, gel type. Independently charged and monitored |
| Temperature range | Environmental class 2 -10°C to 55°C @ 0-93% RH |
| Weight | 6Kg |
| Internal sounder | Two independently controlled 16 Ω speakers |
| Dimensions | Panel: 427 x 400 x 101mm |



Compare product compatibility with our easy to read chart: www.eaton.com/security-works-with

Eaton
Electrical Sector
EMEA Route de la Longeraie 7
1110 Morges, Switzerland

Eaton Electrical Products Ltd
Security House,
Vantage Point Business Village,
Mitcheldean, Gloucestershire
GL17 0SX

Tel: +44 (0)1594 545 400
Email: securitysales@eaton.com
Web: www.myscantronic.com

Eaton is a registered trademark of Eaton Corporation.

All other trademarks are property of their respective owners.

10 zone control panel

The i-on10 is a 10 zone, bells-only (audible alarm) wired intruder alarm panel. It is suitable for simple, entry-level burglar alarm systems to protect homes and small commercial installations.



The i-on10 is a Grade 2 control panel with 10 zones on board and feature-packed to deliver you real benefits.

Performance bus allows the fitting of up to 4 keypads. The i-on programming is menu driven for ease and reduces programming issues.

There are a choice of i-on keypads to connect to: see the compatibility chart.

At a glance...

- Ten zones
- 10 user codes
- Range of keypad options
- Uses same programming menus as the i-on range

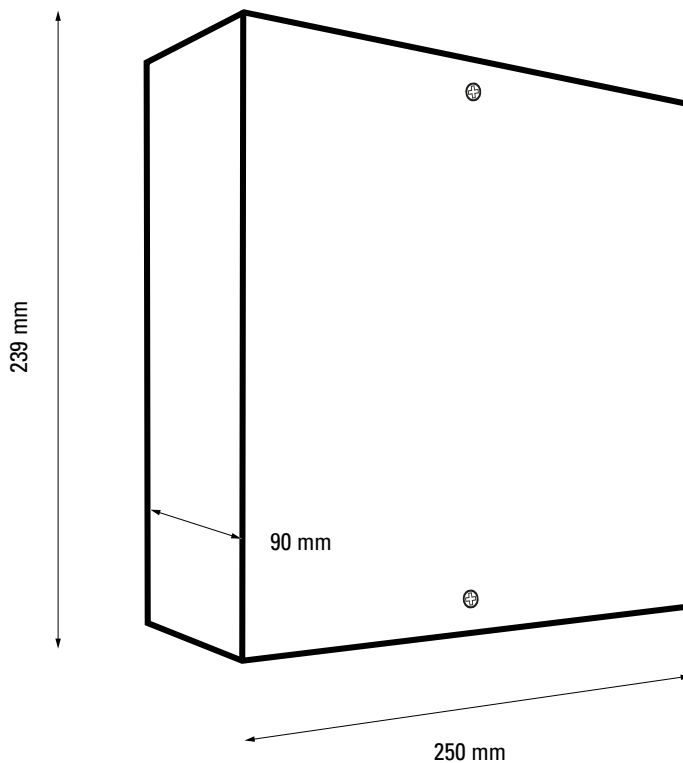


Powering Business Worldwide

Scantronic product data sheet

Product specification

| | |
|-----------------------------------|--|
| Product Code | i-on10 |
| Compliance | EN50131 PD6662:2017 Grade 2 |
| Zones on board | 10 |
| Total number of buses | 1 |
| Number of users | 10 |
| Number of outputs | 1 system plus 12 communicator |
| Number of part sets per partition | 3 |
| Power supply | 1A |
| Battery (maximum capacity) | 1 * 7Ah |
| Temperature range | Environmental class 2 -10°C to 55°C 93% RH |
| Weight | 2.8Kg panel without battery |
| Dimensions | 239mm (h) x 250mm (w) x 90mm (d) |



Compare product compatibility with our easy to read chart: www.eaton.com/security-works-with

Wired panel range

9448



The 9448EUR-90 and 9448EUR-95 were designed to meet basic residential intruder detection requirements, these are quick to install and simple to use.

Easy to operate, both have full and part set facilities, the ability to change access codes for improved security as well as the option to connect to additional remote keypads for installation flexibility.

At a glance...

- Up to six zones of protection plus exit/entry Zone (plus one dedicated entry/exit zone)
- Global tamper
- Bell, strobe and one programmable output
- Ten event log
- Day system status LED
- Communication output

Variants

| Part No | Description |
|------------|---|
| 9448EUR-90 | 7 zone control panel with on-board keypad |
| 9448EUR-95 | 7 zone control panel with remote 9427 remote keypad |

Compatibility

| | Description |
|------------|--------------|
| 9427EUR-80 | Wired keypad |

Technical specification

| | |
|-----------------------------------|--------------------------|
| Maximum zones | 6 + 1 E/E |
| Users | 2 |
| Maximum wired keypad | 2 (9448-90), 4 (9448-95) |
| Total number of log events | 10 |
| Setting options | Part set (1) |
| Power supply | 1 Amp |



Wired keypad series with options to suit application



As well as having a modern, small and discreet design the KEY-K01, KEY-KP01 and KEY-KPZ01 have a choice of non-prox (K), prox (KP) or prox with zones (KPZ).

The prox keypads have connections for an external prox reader to be connected in addition to the internal prox. To add greater flexibility to the KEY-KPZ01 you can select the option of having two zones on board for an even faster connection of zones.

At a glance...

- A navigation key for easy access to the user and installer menus
- A status LED that can be turned on or off from within the keypad menu
- An internal prox reader (not available on the KEY-K01)
- Built in panic button enabled in programming
- One programmable transistorised output (KEY-KPZ01 Only)
- External prox reader connections for KEY-EP (Not available on KEY-K01)

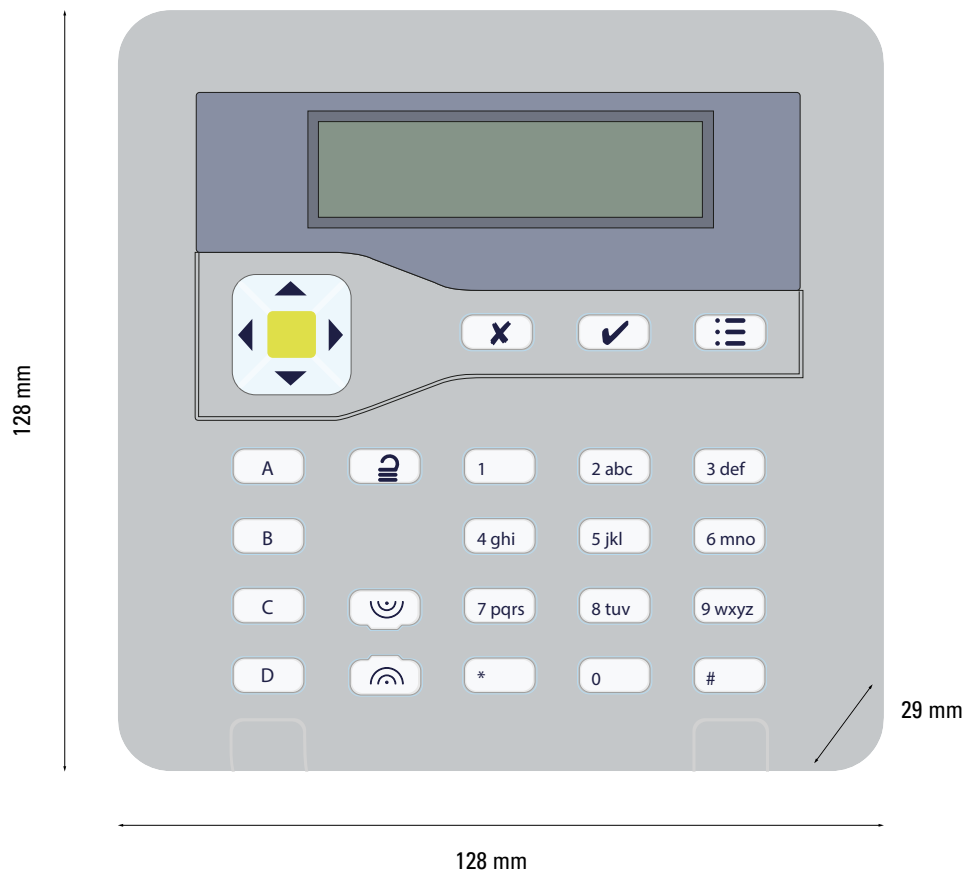


Powering Business Worldwide

Scantronic product data sheet

Product specification

| Product Code | KEY-K01 | KEY-KP01 | KEY-KPZ01 |
|-----------------------------|---|----------|-------------------|
| Zone Inputs | 0 | 0 | 2 |
| Outputs | 0 | 0 | 1 |
| Loudspeaker connection | No | No | Yes |
| EN 50131 grade | PD6662:2017 BS8243:2010 + A1 2014, EN50131 Grade 2 or Grade 3 | | |
| Environmental class | Environmental class 2 | | |
| Operating temperature (C) | -10°C to 55°C @ 75% RH | | |
| Display with LED indication | Yes | | |
| Zones | 0 | 0 | 2 zones available |
| Dimensions | 128 x 128 x 29mm | | |



Compare product compatibility with our easy to read chart: www.eaton.com/security-works-with

Eaton
Electrical Sector
EMEA Route de la Longeraie 7
1110 Morges, Switzerland

Eaton Electrical Products Ltd
Security House,
Vantage Point Business Village,
Mitcheldean, Gloucestershire
GL17 0SX

Tel: +44 (0)1594 545 400
Email: securitysales@eaton.com
Web: www.myscantronic.com

Eaton is a registered trademark of Eaton Corporation.

All other trademarks are property of their respective owners.

2-way radio keypad with wired base station



Fully compatible with Scantronic i-on range, Eaton's two-way KEY-RKPZ keypad enables tidier wire-free installation.

The two-way KEY-RKPZ keypad offers the same functionality as a wired keypad. At the same time, it allows you – and your customer – welcome flexibility when it comes to choosing the optimum location. Linked wirelessly to its own base station which talks to the control unit via a standard RS485 wired connection.

At a glance...

- Radio keypad, giving full access to configure, set or unset the system.
- Easy installation.
- Two wired zones
- Internal proximity reader.
- Backlit display and keys.
- Navigation keys for installer and user menus, with built-in alert LEDs.
- A, B, C, D setting keys, with built-in status LEDs. An engineer can configure the keys to set individual wards, partitions or part-sets, or to control outputs.
- Two radio keypads per base station

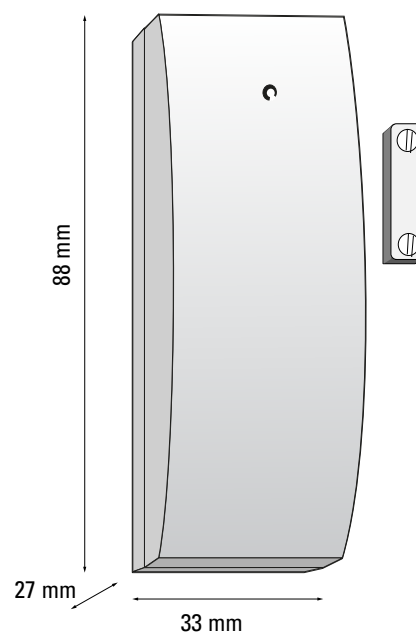
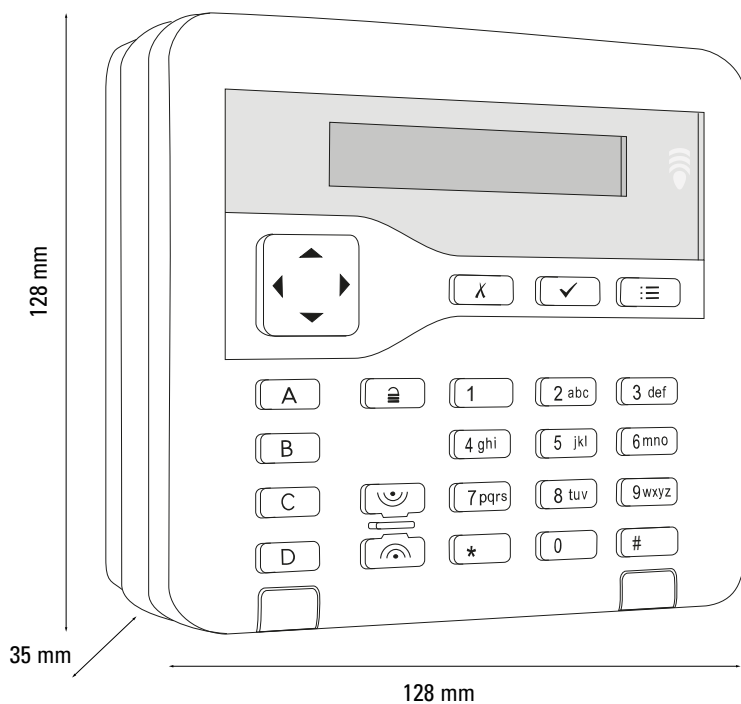


Powering Business Worldwide

Scantronic product data sheet

Product specification

| Product code | KEY-RKPZ | KEY-RKBS | KEY-RKPZ-KIT |
|----------------------------|----------------------------------|--------------------------------|--|
| Zone Inputs | 2 | 0 | 2 |
| Loudspeaker connection | No | | |
| EN 50131 grade | 2 | | |
| Environmental class | 2 | | |
| Operating temperature (°C) | -10°C to +55°C | | |
| Zones | 2 | 0 | 2 |
| Radio frequency | 868 MHz | | |
| Transmission range | 300 max. in free space | | |
| Battery type | 3 x 1.5Vdc AA | n/a | 3 x 1.5Vdc AA |
| Weight | 320g (with batteries) | 46g | 366g |
| Dimensions | 128mm (h) x 128mm (w) x 35mm (d) | 88mm (h) x 33mm (w) x 27mm (d) | 128mm (h) x 128mm (w) x 35mm (d) and 88mm (h) x 33mm (w) x 27mm (d) |



Compare product compatibility with our easy to read chart: www.eaton.com/security-works-with

Eaton
Electrical Sector
EMEA Route de la Longeraie 7
1110 Morges, Switzerland

Eaton Electrical Products Ltd
Security House,
Vantage Point Business Village,
Mitcheldean, Gloucestershire
GL17 0SX

Tel: +44 (0)1594 545 400
Email: securitysales@eaton.com
Web: www.myscantronic.com

Eaton is a registered trademark of Eaton Corporation.

All other trademarks are property of their respective owners.

Classic style wired keypad with built in proximity reader



The i-kp01 is designed to work with i-on control panels. The keypad allows the user to set and unset the system and installers to program the system.

At a glance...

- A large backlit LCD display showing two lines of 20 alpha-numeric characters
- Four LEDs show the setting status of partitions or levels
- "A, B, C, D and Unset" keys provide quick setting and unsetting of the system
- A four way navigation key allows the installer and user to scroll through easy to follow menus
- Status LED turns red when there is any system problem
- A built in proximity tag detector that reads all standard proximity
- Built in panic button enabled in programming

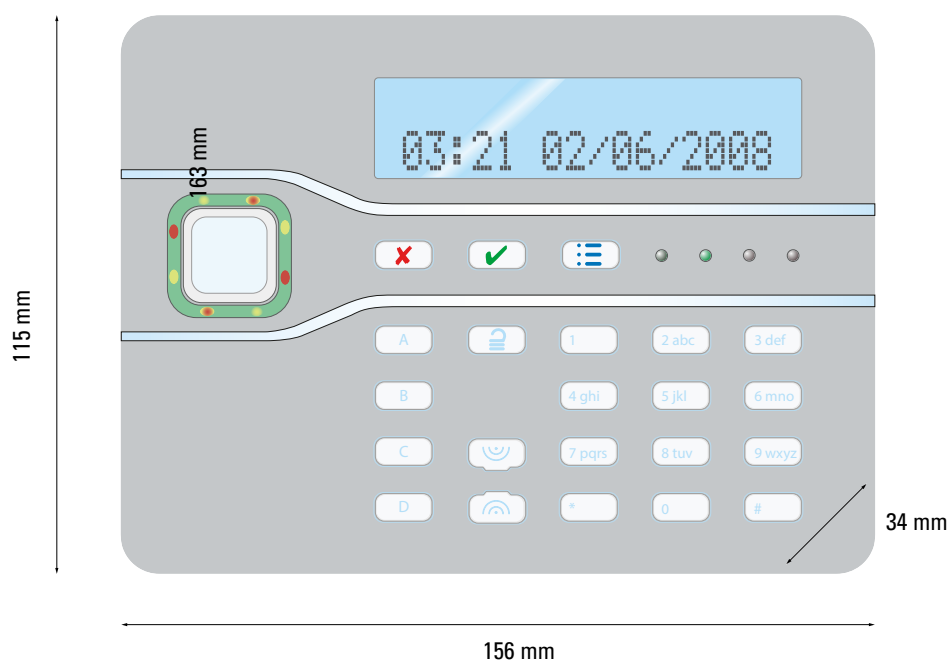


Powering Business Worldwide

Scantronic product data sheet

Product specification

| | |
|-----------------------------|-------------------------------|
| Product Code | i-kp01 |
| Zone outputs | 0 |
| Device connections | Wired |
| Current normal (mA) | 35 |
| Current maximum (mA) | 65 |
| EN 50131 grade | 3 |
| Environmental class | 2 |
| Operating temperature (C) | -10 to +55 |
| Display with LED indication | Yes |
| Transistor outputs (LOV) | 1 |
| Prox | Internal: Yes External: No |
| Dimensions | 115 x 156 x 34 mm |



Compare product compatibility with our easy to read chart: www.eaton.com/security-works-with

Internal IP Camera

Fully compatible with the next generation of Scantronic i-on control panels, Eaton's CAM-INT-00 internal IP camera provides peace of mind to the user by verifying alarm events with full HD 1080P quality.



User can be emailed images of events as they happen, for example: - confirm the presence of an intruder in the property - following a system unset, receive verification that the kids are home from school - identify the source of a fire when the DET-RSMOKE is activated.

At a glance...

- High definition 1080P camera
- Built-in web server for straightforward configuration
- Wi-Fi or wired Ethernet connectivity
- Power over Ethernet or local Power Supply Unit
- Night IR up to 8 meters
- 15 images provided: 5 images pre and 10 images post event
- Firmware upgradeable
- Compatible with the next generation of i-on (Software version 5 and higher)
- WPS Enabled

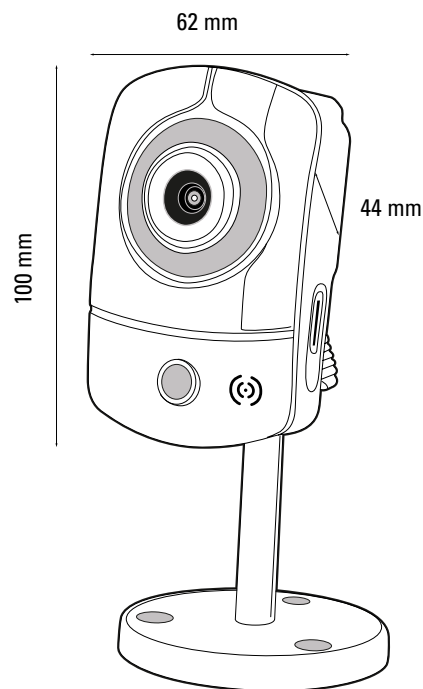


Powering Business Worldwide

Scantronic product data sheet

Product specification

| | |
|-----------------------|---|
| Product Code | CAM-INT-00 |
| RAM | 256 MB |
| Flash | 16 MB |
| Image sensor | 1 / 2.9" Mega-Pixel CMOS Sensor |
| Operating temperature | 0°C ~ 45°C |
| Sensitivity | Colour: 0.1 Lux (AGC ON) B/W: 0.05 Lux (AGC ON) |
| Lense type | 3.6mm @ F2.0 |
| View angle | 78°(H), 42°(V) |
| Power consumption | DC 12V Max: 2.38W |
| Wi-Fi | 802.11b/g/n |
| LEDs | 4 LEDs, 850nm |
| IR Distance | 8 Meters |
| Video adjust | Brightness, Contrast, Hue, Saturation, Sharpness, AGC, Shutter Time, Sense-Up, D-WDR, Anti Fog, Lens Distortion Correction, Flip, Mirror, Day&Night Adjustable, Red Gain and Blue Gain, Denoise |
| Dimensions | 100 mm x 62 mm x 44 mm (excluding stand) |



Compare product compatibility with our easy to read chart: www.eaton.com/security-works-with

Eaton
Electrical Sector
EMEA Route de la Longeraie 7
1110 Morges, Switzerland

Eaton Electrical Products Ltd
Security House,
Vantage Point Business Village,
Mitcheldean, Gloucestershire
GL17 0SX

Tel: +44 (0)1594 545 400
Email: securitysales@eaton.com
Web: www.myscantronic.com

Eaton is a registered trademark of Eaton Corporation.

All other trademarks are property of their respective owners.

External IP Camera

Fully compatible with the next generation of Scantronic i-on control panels, Eaton's CAM-EXT-00 external IP camera provides peace of mind to the user by verifying alarm events with full HD 1080P quality.



Front line deterrent against external threats. User can be emailed images of events as they happen, for example:
- monitor access to out-buildings and approach to main property - capture the presence of an intruder on the perimeter of the property using DET-REXT-PIR30

At a glance...

- High definition 1080P camera
- Built-in web server for straightforward configuration
- Weatherproof IP66 rated for outdoor use
- Wi-Fi or wired Ethernet connectivity
- Power over Ethernet or local Power Supply Unit
- Night IR up to 20 meters
- 3 Axis mounting bracket
- 15 images provided: 5 images and 10 images post event
- Firmware upgradeable
- Compatible with the next generation of i-on (Software version 5 and higher)

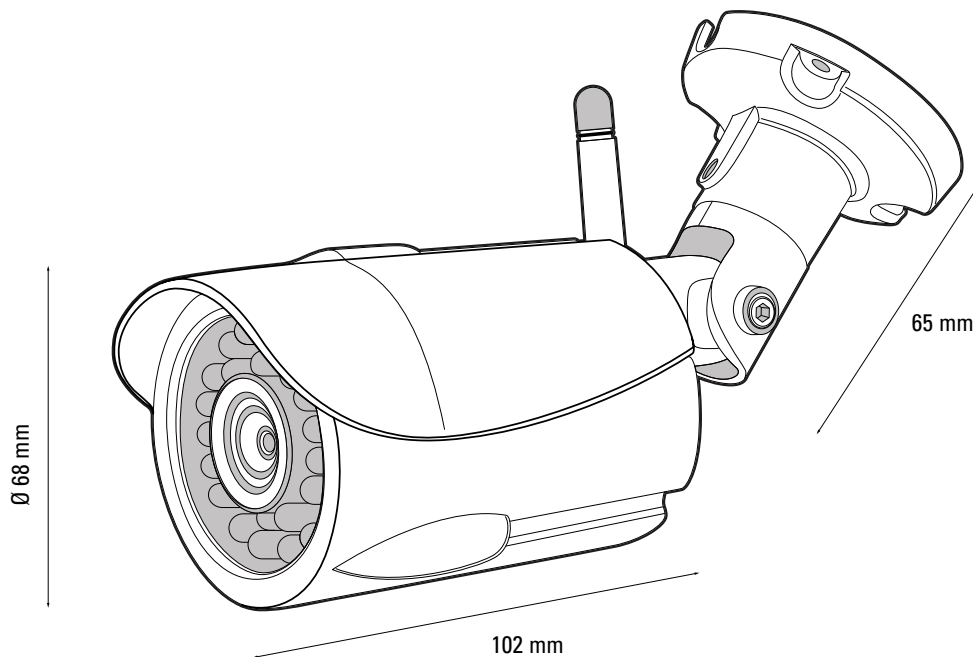


Powering Business Worldwide

Scantronic product data sheet

Product specification

| | |
|-----------------------|---|
| Product Code | CAM-EXT-00 |
| RAM | 256 MB |
| Flash | 16 MB |
| Image sensor | 1 / 2.7" Mega-Pixel CMOS Sensor |
| Operating temperature | -10°C ~ 50°C |
| Sensitivity | Colour: 0.1 Lux (AGC ON) B/W: 0.05 Lux (AGC ON) |
| Lense type | 2.8mm @ F2.0 |
| View angle | 111.10°(H), 65.10°(V) |
| Power consumption | DC 12V Max, 3.6W (IR on); 2.76W (IR off) |
| Wi-Fi | 802.11b/g/n |
| LEDs | 28 units |
| IR Distance | 20 Meters |
| Video adjust | Brightness, Contrast, Hue, Saturation, Sharpness, AGC, Shutter Time, Sense-Up, D-WDR, Anti Fog, Lens Distortion Correction, Flip, Mirror, Day & Night Adjustable, Red Gain and Blue Gain, Denoise |
| Dimensions | 68mm (Ø) x 102mm (D) |



Compare product compatibility with our easy to read chart: www.eaton.com/security-works-with

Wired expanders

A range of wired expanders designed and approved to be used as part of a security grade 2 or 3 system. Bus connected intelligent expanders are intended for use on all i-on control panels.



Providing installation flexibility, with ten zones and 4 outputs on board, the expanders give a choice of zone wiring options. These include FSL with various resistor values and 2 wire or 4 wire CC for takeover of legacy systems.

A host of installer friendly options are designed to save time on installation and service visits. These include:

- Decimal expansion system for more zones per expander. This also makes zone identification easier
- Semi-Automatic addressing makes addressing much simpler. No address duplication or lost address links
- Device locator to find any expander on the site by simply activating the buzzer inside the expander then walk the site listening for the buzzer

At a glance...

EXP-W10

- Ten wired zones with 4 outputs

EXP-PSU-SM

- Ten wired zones with 4 outputs
- 1 amp power supply
- Capacity for a single 7Ah battery
- Contained in a small metal housing

EXP-PSU-MM

- Ten wired zones with 4 outputs
- 2 amp power supply
- Capacity for a single 17Ah battery
- Contained in a medium metal housing

EXP-PSU-LM

- Ten wired zones with 4 outputs
- 3 amp power supply
- Capacity for two 17Ah batteries
- Contained in a large metal housing

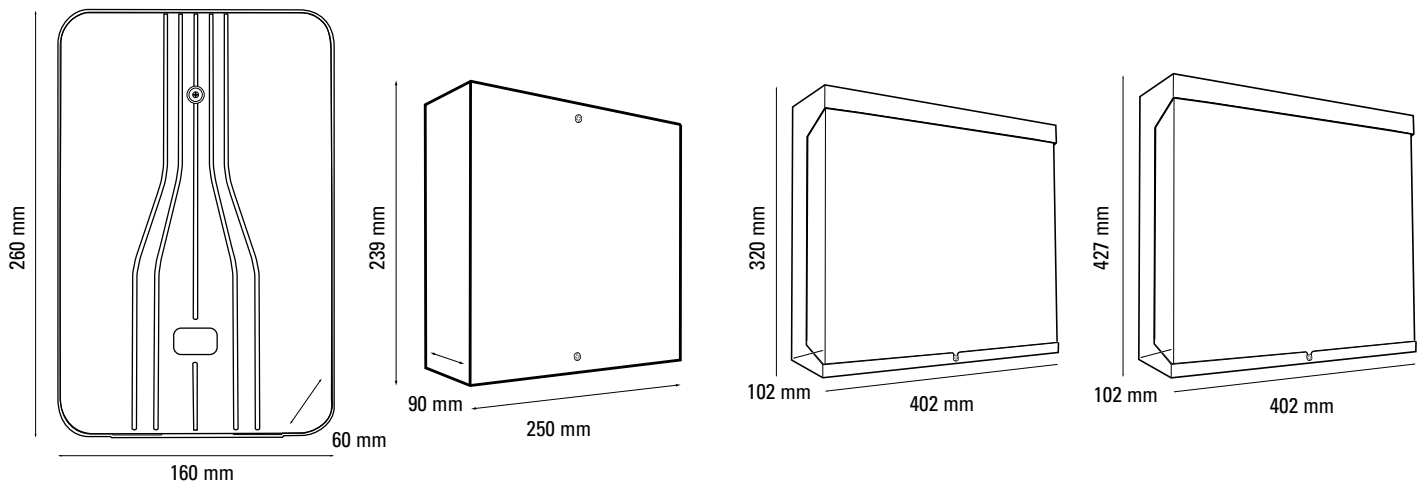


Powering Business Worldwide

Scantronic product data sheet

Product specification

| Product Code | EXP-W10 | EXP-PSU-SM | EXP-PSU-MM | EXP-PSU-LM |
|------------------------|----------------------|----------------------|-----------------------|-----------------------|
| Zones | 10 | 10 | 10 | 10 |
| PD6662:2017 Grade | 2 or 3 | 2 | 2 or 3 | 2 or 3 |
| Environmental Class | 2 | 2 | 2 | 2 |
| Battery charge outputs | 0 | 1 | 1 | 2 |
| Current | NA | 1A | 2A | 3A |
| Loudspeaker connection | Yes | Yes | Yes | Yes |
| Housing | Plastic | Small metal | Medium metal | Large metal |
| Dimensions | 260mm x 160mm x 60mm | 239mm x 250mm x 90mm | 320mm x 402mm x 102mm | 427mm x 402mm x 102mm |



Compare product compatibility with our easy to read chart: www.eaton.com/security-works-with

Eaton
Electrical Sector
EMEA Route de la Longeraie 7
1110 Morges, Switzerland

Eaton Electrical Products Ltd
Security House,
Vantage Point Business Village,
Mitcheldean, Gloucestershire
GL17 0SX

Tel: +44 (0)1594 545 400
Email: securitysales@eaton.com
Web: www.myscantronic.com

Eaton is a registered trademark of Eaton Corporation.

All other trademarks are property of their respective owners.

Radio expanders

The EXP-R10 and EXP-R30 are designed for Grade 2 installations, installed to PD6662:2017 these expanders can also provide radio HUA functionality in Grade 3 installations.



Uniquely, the EXP-R10 and EXP-R30 provide radio outputs which can be used to trigger remote equipment for example gates at the end of a drive, or lights across yard or garden.

Hold Up Devices (HUD) and arming fobs can connect to any expander on the system to ensure good site coverage.

All intelligent expanders, with full diagnostics and fault reporting via the bus. A built-in piezo sounder responds to the locate a bus device feature.

At a glance...

- One button push for semi-auto addressing for speed and device numbering integrity
- Green heartbeat LED diagnostics tool
- 16ohm speaker connection)
- Device signal strengths indicated on the expander

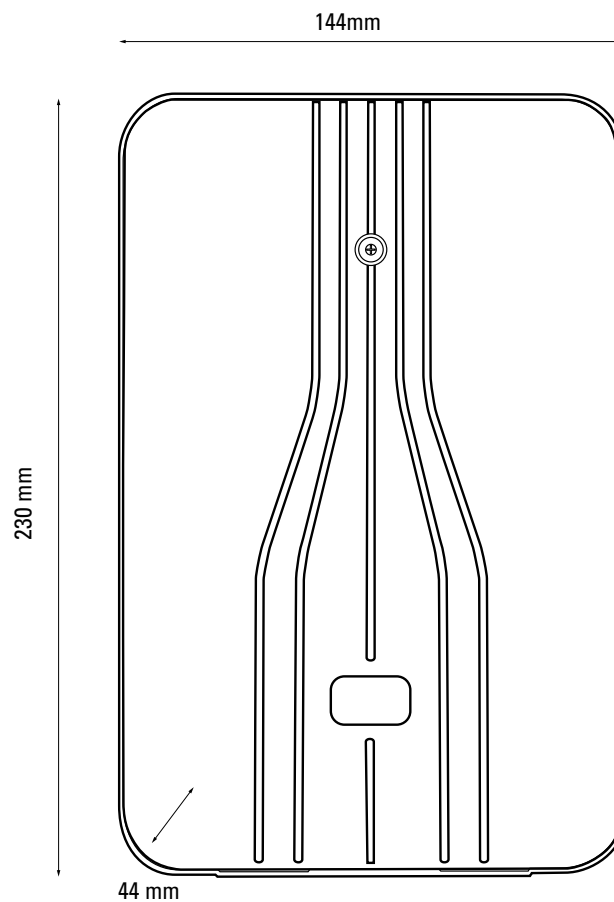


Powering Business Worldwide

Scantronic product data sheet

Product specification

| | | |
|------------------------|----------------------|----------------------|
| Product Code | EXP-R10 | EXP-R30 |
| Zones | 10 | 30 |
| Compliance | | EN50131 |
| PD6662:2017 Grade | | 2 |
| Environmental Class | | 2 |
| Power consumption | | 40mA |
| Radio frequency | | 868.6625MHz |
| Loudspeaker connection | | Yes |
| Dimensions | 230mm x 144mm x 44mm | 230mm x 144mm x 44mm |



Compare product compatibility with our easy to read chart: www.eaton.com/security-works-with

Eaton
Electrical Sector
EMEA Route de la Longeraie 7
1110 Morges, Switzerland

Eaton Electrical Products Ltd
Security House,
Vantage Point Business Village,
Mitcheldean, Gloucestershire
GL17 0SX

Tel: +44 (0)1594 545 400
Email: securitysales@eaton.com
Web: www.myscantronic.com

Eaton is a registered trademark of Eaton Corporation.

All other trademarks are property of their respective owners.

Key-fobs for intruder alarm systems

The PD6662:2017 compliant two-way key-fob (FOB-2W-4B) and one-way key-fob (i-FB01) both enable the user to remotely unset/set the system.



The two-way keyfob provides feedback on system status and confirms that the system has been set upon exit whilst the two-way keyfob can be programmed to be used as a panic button. Both are designed to fit comfortably in your pocket or on a key ring. Compatible with all current Eaton security control panels.

At a glance...

- Long-life lithium battery
- Two-way key-fob provides system status
- Replaceable battery
- Enhanced transmission range (FOB-2W-4B)
- Configurable set/unset
- Learnt to user profile not radio zones so doesn't reduce the detection capability of the system
- Programmable output button which can be used to operate motorised gates etc.

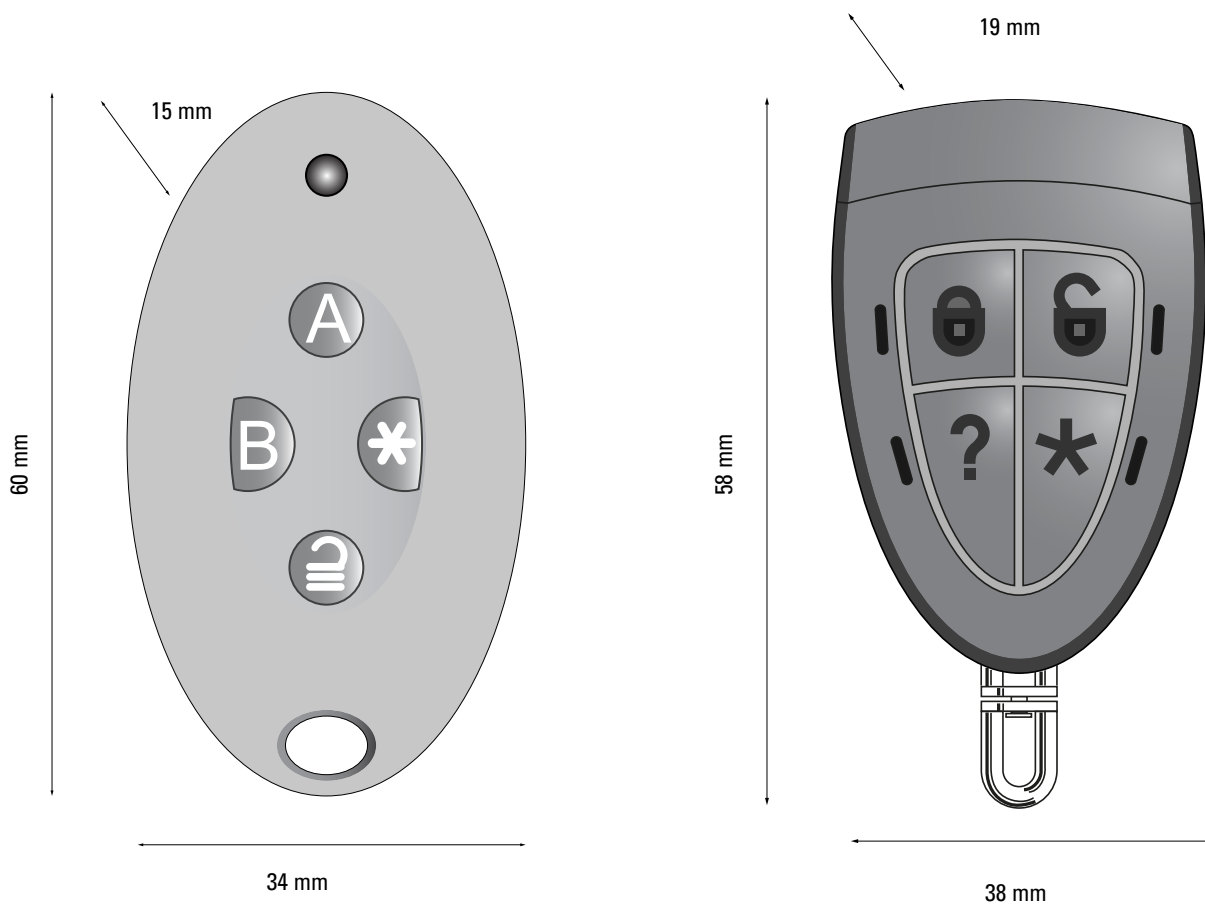
EATON

Powering Business Worldwide

Scantronic product data sheet

Product specification

| | | |
|----------------------------|-----------------------------|---|
| Product Code | i-FB01 | FOB-2W-4B |
| Radio frequency | 868.6625 MHz | 868.6625 MHz |
| Transmission range (m) | 100 m | 200 m |
| EN 50131 grade | 2 | 2 |
| Environmental class | Class II | Class II |
| Operating temperature (C) | -10 to 55 | -10 to 55 |
| Colour | White | Black |
| Battery quantity | 1 x CR2032 | 1 x CR2450 |
| Dimensions | 60 mm x 34 mm x 15 mm HxWxD | 58 x 38 x 19mm HxWxD without keyring shackle Keyring plus shackle adds 26mm to length. |



Compare product compatibility with our easy to read chart: www.eaton.com/security-works-with

Slimline shock sensor & door contact range



Wireless slimline detector range is used for detecting threats at perimeters and alerting system users. Keeping property, people and belongings safe.

With a choice of 3 different finishes and slimline housing, these detectors are consistent throughout the range and will suit all installations.

- DET-RS has a built-in accelerometer that can select either shock or movement detection.
- DET-RDC uses a magnet to detect the opening and closing of a door or window.
- DET-RSDC Provides both technologies for shock & opening protection.

At a glance...

- Grade 2 radio products
- Slimline housing & 3 colour finishes
- Adjustable detection & flexible installation
- Easily available CR2 battery

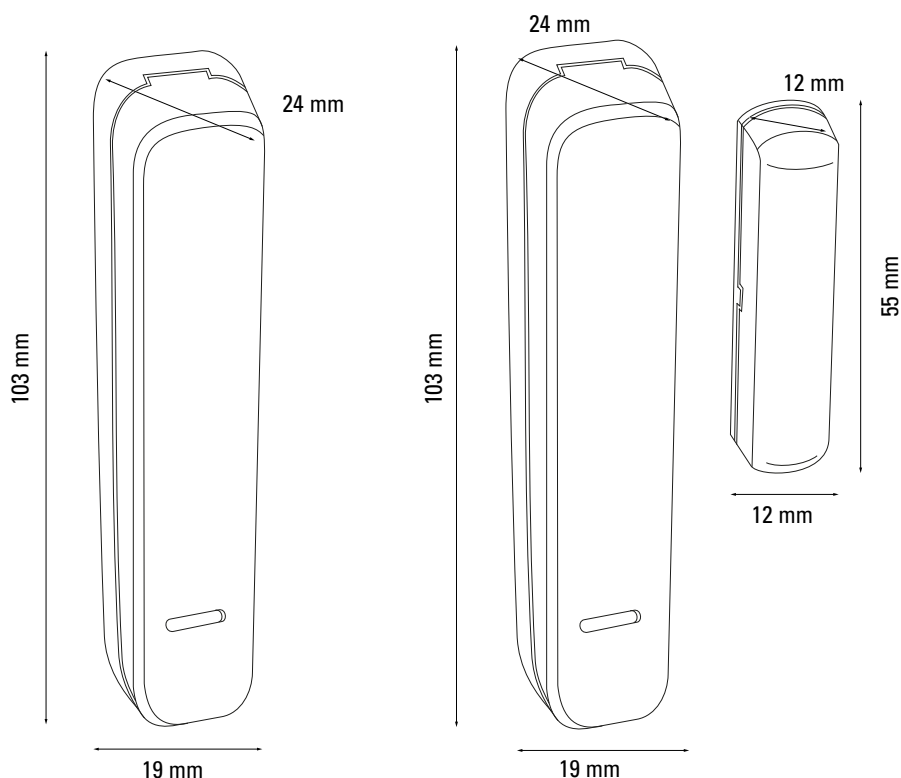


Powering Business Worldwide

Scantronic product data sheet

Product specification

| Product Code | DET-RS DET-RS-W (white) DET-RS-B (brown) DET-RS-G (grey) | DET-RDC DET-RDC-W (white) DET-RDC-B (brown) DET-RDC-G (grey) | DET-RSDC DET-RSDC-W (white) DET-RSDC-B (brown) DET-RSDC-G (grey) |
|-----------------------|--|--|--|
| Battery | 3Vdc CR2 Lithium; low battery warning 2.4Vdc. | | |
| Typical battery life | 2 years | 3 years | 2 years |
| Current | 20µA quiescent; 25mA max | 3µA quiescent; 35mA max | 20µA quiescent; 25mA max |
| Operating temperature | -10°C to +55°C | | |
| Humidity | 0-95% | | |
| Radio | 868.6625MHz; 10mW narrow band | | |
| Radio range | up to 600m in free space | | |
| Weight | 40g (inc. battery) | Sensor: 40g (inc. battery) Magnet: 10g | Sensor: 40g (inc. battery) Magnet: 10g |
| Intrusion standards | EN 50131-5-3:2017; PD 6662:2017 | | |
| Security grade | Grade 2 | | |
| Environmental class | Class II | | |
| Dimensions | 103 x 19 x 24mm | Sensor: 103 x 19 x 24mm Magnet: 55 x 12 x 12mm | |



Compare product compatibility with our easy to read chart: www.eaton.com/security-works-with

Eaton
Electrical Sector
EMEA Route de la Longeraie 7
1110 Morges, Switzerland

Eaton Electrical Products Ltd
Security House,
Vantage Point Business Village,
Mitcheldean, Gloucestershire
GL17 0SX

Tel: +44 (0)1594 545 400
Email: securitysales@eaton.com
Web: www.myscantronic.com

Eaton is a registered trademark of Eaton Corporation.

All other trademarks are property of their respective owners.

Radio break glass detector



Radio glass break detector designed with proven, pattern recognition technology. Suitable for use in quiet environments for 360-degree acoustic detection.

At a glance...

- Lithium i-on battery
- 868mhz frequency
- Detection range up to 6m
- 360 degree detection: Choose to place the Glass Break Detector in the most convenient position as it is not limited to a particular orientation.

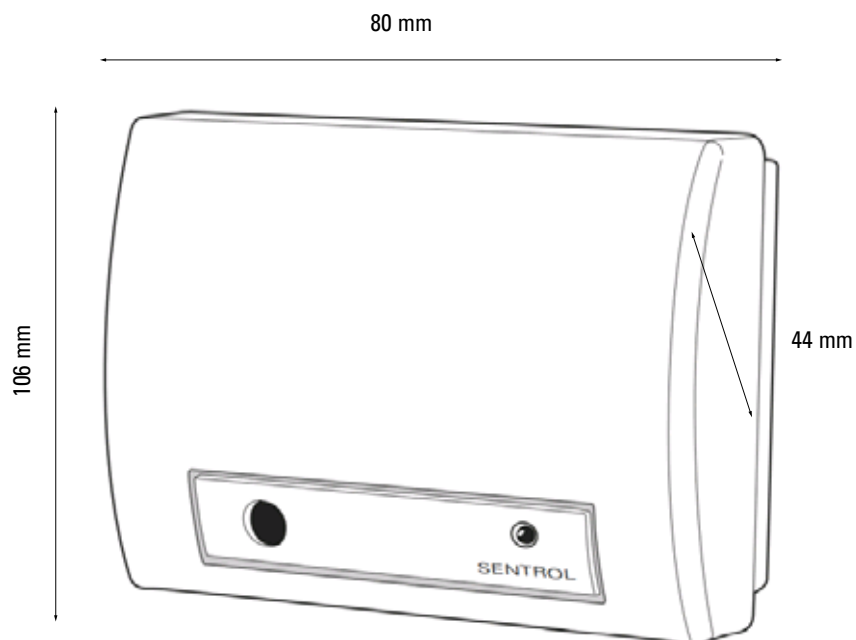


Powering Business Worldwide

Scantronic product data sheet

Product specification

| | |
|-----------------------|------------------------------------|
| Product Code | 739rEUR-50 |
| Material | Plastic (enclosure) |
| Battery | 3V CR123 |
| Battery service life | 24 months |
| Environmental class | Class II |
| Security grade | Grade 2 |
| Operating Frequency | 868.6625 MHz |
| Tamper | Protection |
| Compliance | EN50131-5-3, EN50131-1, PD6662 |
| Humidity | up to 95% |
| Operating temperature | -10 C to +55 C |
| Dimensions | (W x H x D) 106 mm x 80 mm x 44 mm |



Compare product compatibility with our easy to read chart: www.eaton.com/security-works-with

Eaton
Electrical Sector
EMEA Route de la Longeraie 7
1110 Morges, Switzerland

Eaton Electrical Products Ltd
Security House,
Vantage Point Business Village,
Mitcheldean, Gloucestershire
GL17 0SX

Tel: +44 (0)1594 545 400
Email: securitysales@eaton.com
Web: www.myscantronic.com

Eaton is a registered trademark of Eaton Corporation.

All other trademarks are property of their respective owners.

Wired and Wireless Detection xcel PIRs



The XCEL series of detectors is a series of wired and wireless standard and pet tolerant PIRs. The XCELR and XCELRPT take two standard AA batteries available from any retailer. Conveniently, fewer site visits to change batteries will be required as the battery life is increased to 40 months using standard AA batteries.

At a glance...

Fit radio PIRs where you want to

Advanced design has led to 30% radio range improvement

Greater performance for improved security

Consistency of coverage considerably improved due to the new design of spherical lens, five layers of beams and dual element sensor. The XCELRPT responds twice as quickly as the previous radio PIRs whilst maintaining pet tolerance up to 25Kg

Carry one detector for all installations

Radio detectors are compatible with all current Scantronic panels as well as legacy alarm panels with 868MHz radio capability

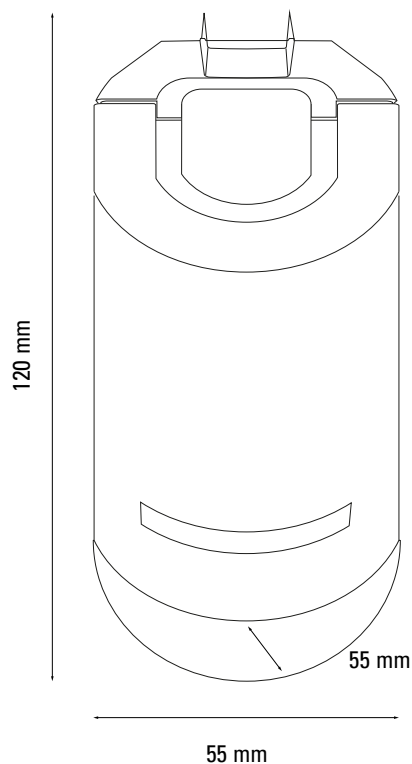


Powering Business Worldwide

Scantronic product data sheet

Product specification

| Feature | Wired PIRS | Wireless PIRS |
|-----------------------|---|---|
| Product code | XCELW: Wired PIR XCELWPT: Wired PIR Pet tolerant | XCELR: Wireless PIR XCELRPT: Wireless PIR Pet tolerant |
| Weight | | 150g |
| Material | | Plastic |
| Battery | N/a | 1.5v AA alkaline x 2 |
| Connection | Wired | Radio |
| Environmental class | | Class II |
| Security grade | | Grade 2 |
| Radio Frequency | n/a | 868.6625 MHz |
| Tamper protection | | Yes |
| Indication | | Optical |
| Humidity | | up to 95% |
| Operating temperature | | -10°C to +55°C |
| Pet tolerance | Tolerant to pets up to 25kg (XCELWPT) | Tolerant to pets up to 25kg (XCELRPT) |
| Dimensions | LxWxD 120mm x 55mm x 55mm | |



Compare product compatibility with our easy to read chart: www.eaton.com/security-works-with

Eaton
Electrical Sector
EMEA Route de la Longeraie 7
1110 Morges, Switzerland

Eaton Electrical Products Ltd
Security House,
Vantage Point Business Village,
Mitcheldean, Gloucestershire
GL17 0SX

Tel: +44 (0)1594 545 400
Email: securitysales@eaton.com
Web: www.myscantronic.com

Eaton is a registered trademark of Eaton Corporation.

All other trademarks are property of their respective owners.

Scantronic wired and radio dual tech detection

An internal detector with dual technology detection utilising a combination of PIR and microwave sensors, for use in domestic and commercial installations.



These grade 2 detectors use a combination of PIR and microwave detection technology to provide greater tolerances to changing environmental conditions. Available in both wired and radio variants, these detectors link seamlessly into the Eaton security system in terms of function, style and reliability. Pet tolerant variants are also available in wired and radio form. The use of standard AA batteries for the radio variant reduces service complexity while maintaining typical battery life of two years.

At a glance...

- Combined passive infra-red and microwave detector
- Selectable FSL resistance values (wired)
- Adjustable microwave detection range
- Walk test input to enable LEDs (wired)
- Radio and wired options offering flexibility during installations
- Compatible with relevant Scantronic and Menvier ranges
- Radio variant typically gives 2 years battery life from 3 x standard AA batteries

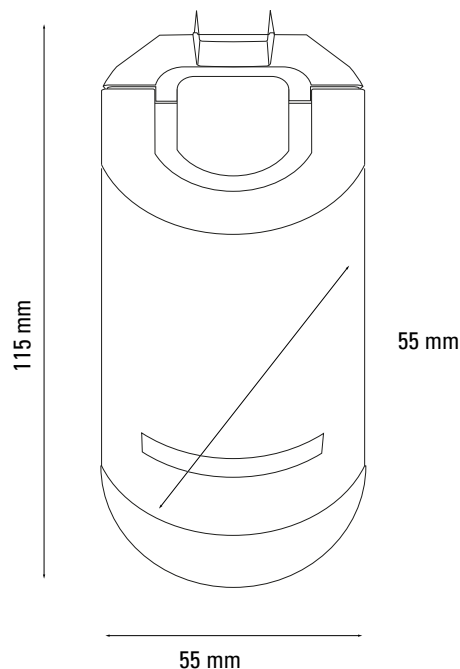


Powering Business Worldwide

Scantronic product data sheet

Product specification

| Feature | Radio | Wired |
|-----------------------|--|--|
| Product Code | DET-RDT-G2 Radio Dual Tech | DET-WDT-G2 Wired Dual Tech |
| | DET-RDTPT-G2 Radio Dual Tech Pet tolerant | DET-WDTPT-G2 Wired Dual Tech Pet tolerant |
| | DET-RDT1 Radio Dual tech for France, Cyprus, Switzerland, Portugal, Czech Republic | DET-WDT1 Wired Dual tech for France, Cyprus, Switzerland, Portugal, Czech Republic |
| | DET-RDT2 Radio Dual tech for Benelux, Greece, Portugal, Malta | DET-WDT2 Wired Dual tech for Benelux, Greece, Portugal, Malta |
| | DET-RDT3 Radio Dual tech for Austria | DET-WDT3 Wired Dual tech for Austria |
| Weight | 0.190Kg | 0.120Kg |
| Material | Plastic | Plastic |
| Battery | 3 x AA Alkaline | n/a |
| Typical battery life | 24 months | n/a |
| Environmental class | Class II | Class II |
| Security grade | Grade 2 | Grade 2 |
| Operating Frequency | 868.6625 MHz | 868.6625 MHz |
| Tamper | Front & Rear | Front & Rear |
| Compliance | Certified to EN50131-2-4 PD6662:2017 | Certified to EN50131-2-4 PD6662:2017 |
| Humidity | up to 93% | up to 93% |
| Operating temperature | -10°C to +55°C | -10°C to +55°C |
| Dimensions | (WxHxD) 55 x 115 x 55 mm | (WxHxD) 55 x 115 x 55 mm |
| Pet tolerance | 25kg (PT version, or selectable by jumper on version DET-RDT1, DET-RDT2, DET-RDT3) | 25kg (PT version, or selectable by jumper on version DET-RDT1, DET-RDT2, DET-RDT3) |



Compare product compatibility with our easy to read chart: www.eaton.com/security-works-with

Eaton
Electrical Sector
EMEA Route de la Longeraie 7
1110 Morges, Switzerland

Eaton Electrical Products Ltd
Security House,
Vantage Point Business Village,
Mitcheldean, Gloucestershire
GL17 0SX

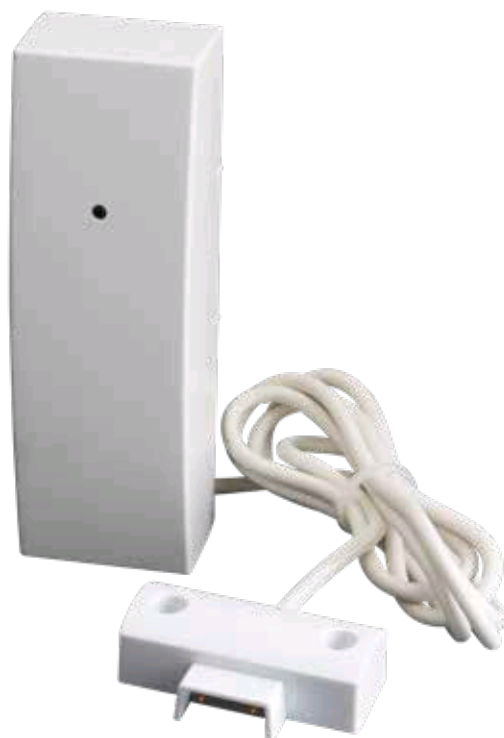
Tel: +44 (0)1594 545 400
Email: securitysales@eaton.com
Web: www.myscantronic.com

Eaton is a registered trademark of Eaton Corporation.

All other trademarks are property of their respective owners.

Flood sensor water detector

Thieves are not the only intruders that need to be detected in homes and business premises, and with an estimated 9.7 billion litres of water lost through domestic water leaks each year alone, this is clearly a massive problem. Early detection is vital in order to prevent costly and, in some cases, irreparable damage and the use of DET- RWATER will help reduce the financial and environmental impact of water leaks.



The fully supervised wireless radio water detector, the DET-RWATER, will send a warning to the control panel when identifying the presence of liquid at a chosen location. Its wireless capability means you can be flexible in every environment including basements or adjacent to washing machines. It can be programmed to set a warning on detecting water or on becoming dry.

At a glance...

- Early detection- reduced damage and cost
- Flexibility
- The DET- RWATER gives the homeowner or business owner the opportunity to react before the leak develops
- Helps to minimise damage to the property and furnishings.

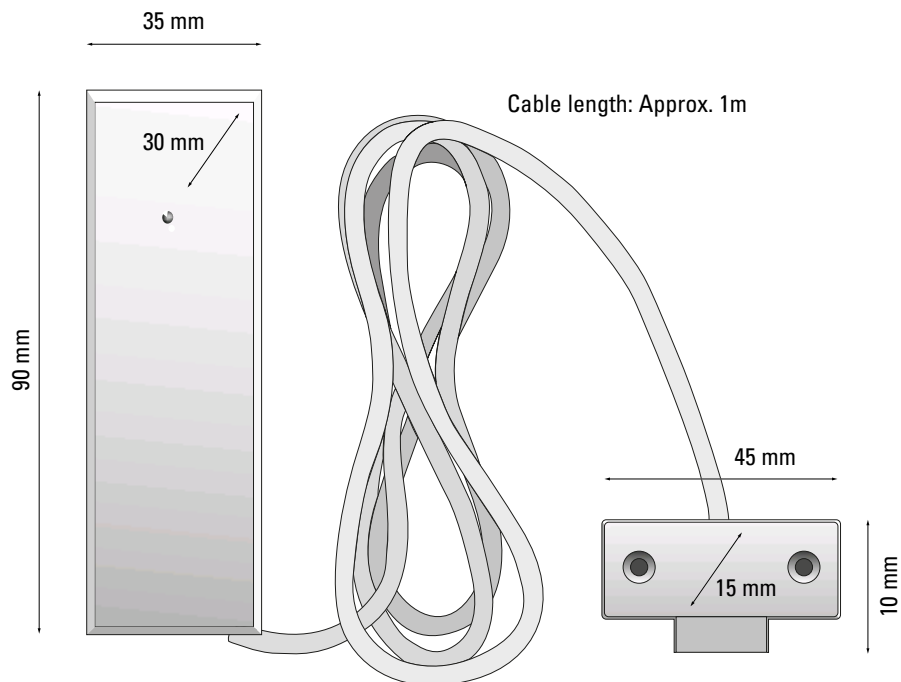


Powering Business Worldwide

Scantronic product data sheet

Product specification

| | |
|-----------------------|---|
| Product Code | DET-RWATER |
| Weight | Approx. 90g |
| Material | Polycarbonate-ABS |
| Battery | 3V CR2 lithium battery |
| Typical battery life | Up to 2 years |
| Environmental class | N/A |
| Security grade | N/A |
| Operating Frequency | 868.6625 MHz |
| Tamper | Yes |
| Compliance | N/A |
| Humidity | up to 95% |
| Operating temperature | -10 C to 55 C |
| Dimensions | Transmitter Dimensions (L x W x D) 90 x 35 x 30mm Sensor Dimensions (L x W x D) 45 x 10 x 15mm |



Compare product compatibility with our easy to read chart: www.eaton.com/security-works-with

Eaton
Electrical Sector
EMEA Route de la Longeraie 7
1110 Morges, Switzerland

Eaton Electrical Products Ltd
Security House,
Vantage Point Business Village,
Mitcheldean, Gloucestershire
GL17 0SX

Tel: +44 (0)1594 545 400
Email: securitysales@eaton.com
Web: www.myscantronic.com

Eaton is a registered trademark of Eaton Corporation.

All other trademarks are property of their respective owners.

Radio Assistance Required Button



The DET-RARB radio assistance required button is an optional accessory to the i-on control units. The unit is a wall-mounted radio device, which signals the request for local assistance.

Note: that this unit is not suitable for use on a system generating a HUA (Hold Up Alarm) that is communicated to an Alarm Receiving Centre and subsequently to the Police.

At a glance...

- Help at the touch of a button
- Wall-mounted

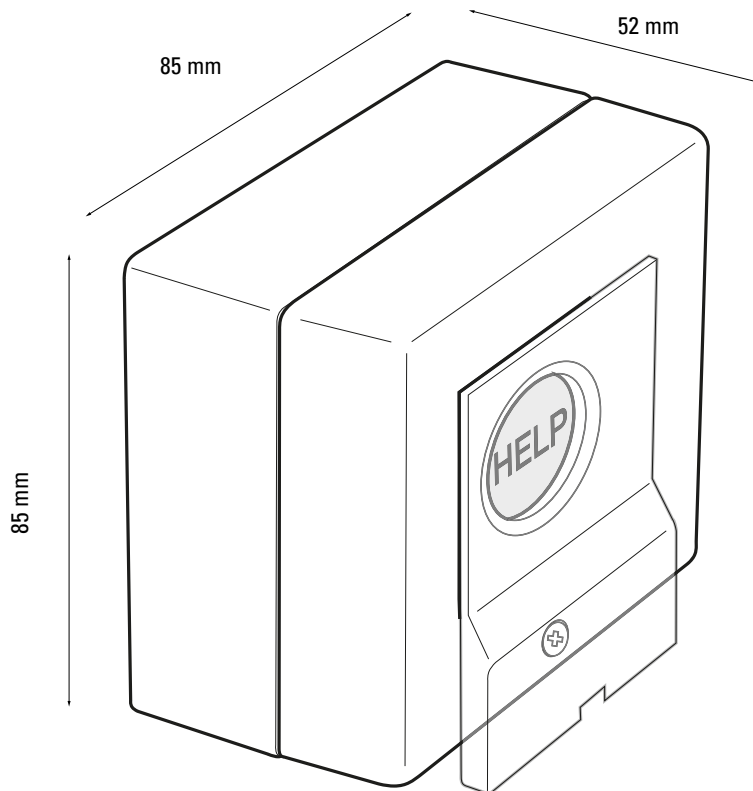


Powering Business Worldwide

Scantronic product data sheet

Product specification

| | |
|-----------------------|-----------------------------------|
| Product Code | DET-RARB |
| Weight | 0.17kg |
| Material | Thermoplastic resin |
| Battery | 3V lithium battery (size CR2477N) |
| Typical battery life | Approx. 12 months |
| Environmental class | Class II |
| Security grade | N/A |
| Operating Frequency | 868.6625 MHz |
| Mounting | Wall-mount |
| Compliance | EU directive: 1995/5/EC |
| Humidity | Max 95% |
| Operating temperature | -10 C to +55 C |
| Dimensions | 85 x 85 x 52mm |



Compare product compatibility with our easy to read chart: www.eaton.com/security-works-with

Eaton
Electrical Sector
EMEA Route de la Longeraie 7
1110 Morges, Switzerland

Eaton Electrical Products Ltd
Security House,
Vantage Point Business Village,
Mitcheldean, Gloucestershire
GL17 0SX

Tel: +44 (0)1594 545 400
Email: securitysales@eaton.com
Web: www.myscantronic.com

Eaton is a registered trademark of Eaton Corporation.

All other trademarks are property of their respective owners.

Radio smoke detector

The DET-RSMOKE is an optical radio smoke detector designed to work with Eaton's range of radio and hybrid control panels.



Providing a flexible solution to smoke detection, it has its own built-in sounder for local alarms and can be programmed to trigger control panel sounders.

Using Eaton's proven leading radio technology the device is compatible with i-on, and all legacy 868 systems. Installers can utilise the full range of communications options across the panel ranges.

The DET-RSMOKE is ideal for use in a range of premises but it is not designed to substitute EN54 Systems.

At a glance...

- Independently certified to EN14604
- Uses AA alkaline batteries
- Twist and lock installation for easy fitting and removal

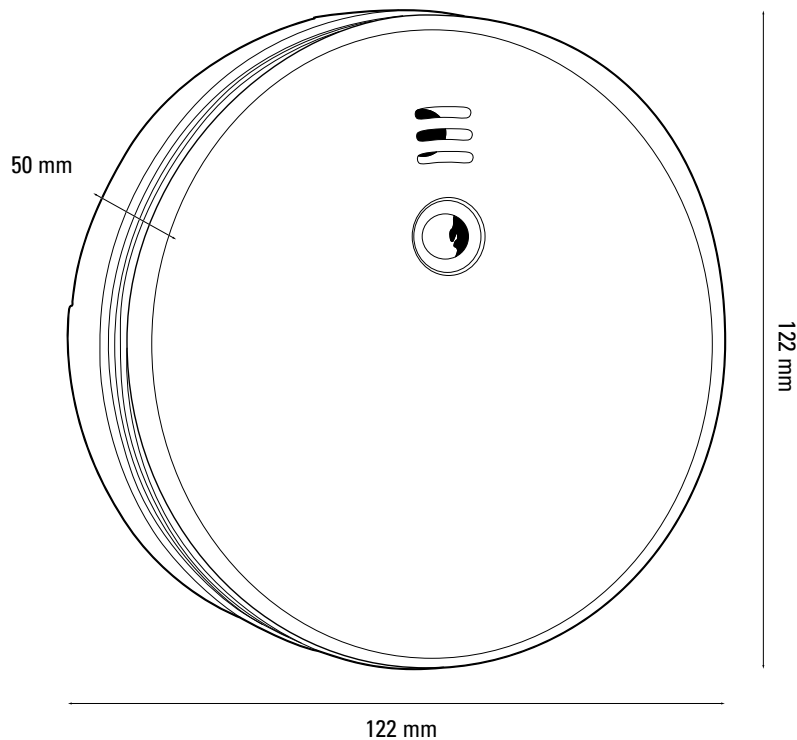


Powering Business Worldwide

Scantronic product data sheet

Product specification

| | |
|-----------------------|------------------------------------|
| Product code | DET-RSMOKE |
| Connection | Radio |
| Operating humidity | up to 95% |
| Operating temperature | -10°C to +65°C |
| Material | Plastic |
| Battery type | 3 x AA Alkaline |
| Battery service life | 24 months |
| Environmental class | II (tested to -10°c + 65°c) |
| Security grade | n/a |
| Operating Frequency | 868.6625 MHz |
| Tamper protection | Yes |
| Compliance | Independently certified to EN14604 |
| Dimensions | W x H x D 122mm x 122mm x 50mm |



Compare product compatibility with our easy to read chart: www.eaton.com/security-works-with

Eaton
Electrical Sector
EMEA Route de la Longeraie 7
1110 Morges, Switzerland

Eaton Electrical Products Ltd
Security House,
Vantage Point Business Village,
Mitcheldean, Gloucestershire
GL17 0SX

Tel: +44 (0)1594 545 400
Email: securitysales@eaton.com
Web: www.myscantronic.com

Eaton is a registered trademark of Eaton Corporation.

All other trademarks are property of their respective owners.

4 in 1 Fire Detector



The M12 is a wired four-in-one fire detector suitable for almost all conditions including rapid rises in temperature, slow burning and smouldering fires. The detector incorporates optical and heat detection technology as well as recognised and compensating for a gradual build-up of dust.

At a glance...

- **Only one fire detector for almost all conditions**
Four programmable separate detection capabilities within one unit.
- **Compatible with all 12v alarm systems**
The M12 smoke detector will work with all 12v alarm systems.
- **Works in all conditions**
The detector incorporates advanced optical and heat detection technology as well as recognising and compensating for gradual build up of dust.
- **Detects slow burning and smouldering fires**
Alerts the user to fire as soon as it starts.
- **Recognises rapid rises in temperature**
The M12 can be programmed to activate at 60°C Rate of rise or 77°C Fixed which greatly reduces the potential for false alarms.

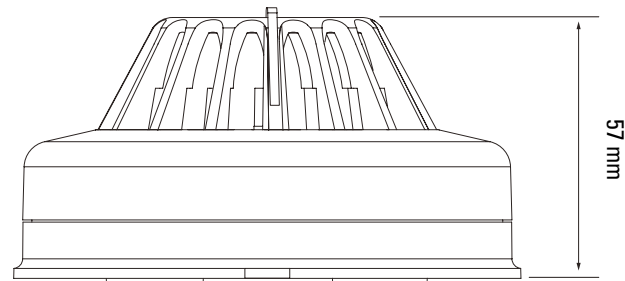
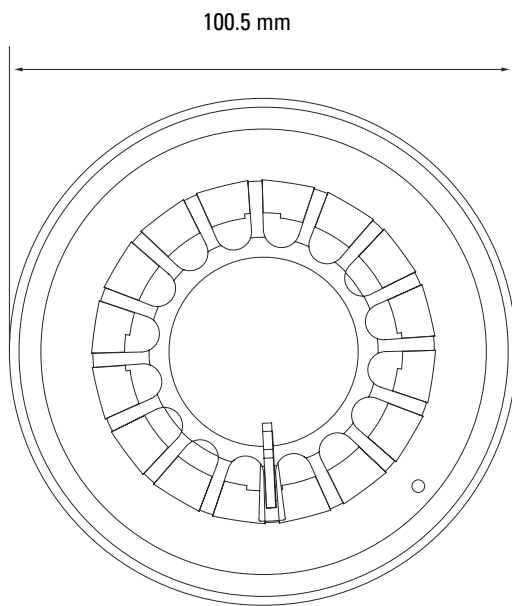
EATON

Powering Business Worldwide

Scantronic product data sheet

Product specification

| | |
|----------------------------|--|
| Product code | M12 |
| Connection | Wired |
| Operating humidity | up to 95% |
| Operating temperature | -10°C to +55°C |
| Material | Plastic |
| Battery type | 1.5V AA alkaline |
| Environmental class | Class II / IP40 |
| Input voltage | 10 – 16 V DC |
| Current consumption | 0.5mA Normal, 14mA alarm |
| Tamper protection | Yes |
| Detection selection method | Internal DIL - switch |
| Alarm contacts | 1A, 30v DC, Normally Closed, Open in Alarm |
| Visual indication | Non alarm pulse every 10 seconds (optional) Alarm - red continuous Fault – yellow continuous |
| Dimensions | Height: 57mm Diameter: 100.5mm |



Compare product compatibility with our easy to read chart: www.eaton.com/security-works-with

Eaton
Electrical Sector
EMEA Route de la Longeraie 7
1110 Morges, Switzerland

Eaton Electrical Products Ltd
Security House,
Vantage Point Business Village,
Mitcheldean, Gloucestershire
GL17 0SX

Tel: +44 (0)1594 545 400
Email: securitysales@eaton.com
Web: www.myscantronic.com

Eaton is a registered trademark of Eaton Corporation.

All other trademarks are property of their respective owners.

Dual tech PIR and microwave

An outdoor motion detector for perimeter monitoring, the detector is ideal to trigger alarm and video monitoring systems.



The DET-REXT-PIR30 is an outside radio detector for perimeter protection. The unit uses two independent, different technology detectors, both of which must trigger to cause the detector to signal an alarm. The detector delivers precise, reliable presence detection. Combining Scantronic's class leading radio with GJD's reputation for flexibility, stability and accuracy to identify a threat before they have a chance to cause loss or damage.

At a glance:

- Combined passive infra-red and K-band 24GHz microwave
- Low maintenance covert detection
- Creep mirror detects activity immediately below the unit
- Detection range up to 30m
- 500m radio range in free space on 868MHz
- IP 65 Protection rating
- Typical battery life 2 years (based on 200 activations per day)
- Uses 2 x 3V CR123 batteries
- Compatible with i-on range with on board radio or a radio expander fitted
- Detection range programmable to 10m, 20m or 30m

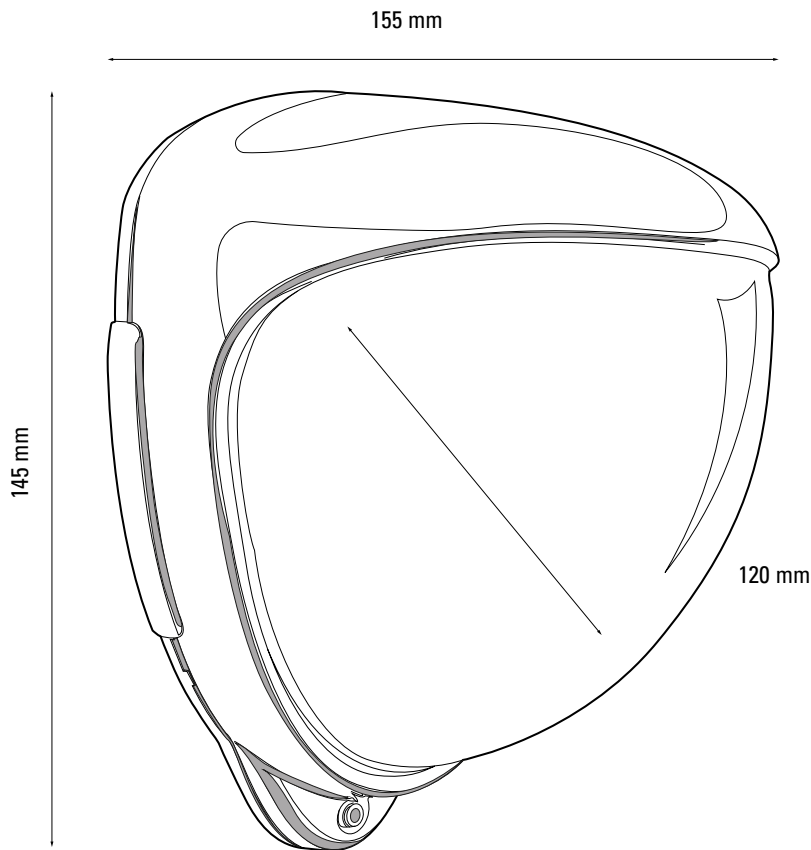


Powering Business Worldwide

Scantronic product data sheet

Product specification

| | |
|-----------------------|--|
| Product Code | DET-REXT-PIR30 |
| Weight | 363g net, 575g gross |
| Material | High-impact ABS plastic with HDPE cover, UV stabilized |
| Battery | 2 x 3 V CR123 (lithium only) |
| Typical battery life | 24 months (based on 200 activations per day) |
| Environmental class | IP65 |
| Security grade | n/a |
| Operating Frequency | 868.6625 MHz |
| Tamper | Yes |
| Compliance | EN 300 220-2 V2.4.1, EN 55022:2010, EN 50130-4:2011, EN 60950-1:2006+A2:2013 |
| Humidity | up to 95% |
| Operating temperature | -20 to +55°C. Housing High-impact ABS p |
| Dimensions | 145 x 120 x 155mm |



Compare product compatibility with our easy to read chart: www.eaton.com/security-works-with

Eaton
Electrical Sector
EMEA Route de la Longeraie 7
1110 Morges, Switzerland

Eaton Electrical Products Ltd
Security House,
Vantage Point Business Village,
Mitcheldean, Gloucestershire
GL17 0SX

Tel: +44 (0)1594 545 400
Email: securitysales@eaton.com
Web: www.myscantronic.com

Eaton is a registered trademark of Eaton Corporation.

All other trademarks are property of their respective owners.

Plug-on communicators

**COM-SD-GSM****COM-SD-PSTN**

Multi-function, plug-on communicators for the i-on range.

Providing ARC reporting, Speech and SMS over standard PSTN or GSM. ARC reporting supports multiple formats including; Fast Format, Contact ID, SIA levels 1, 2 and 3. SMS provides up to four contacts with a variety of status messages. Additionally the COM-SD-PSTN and COM-SD-GSM communicators provide speech dialler functionality allowing personalised voice messages to be transmitted to up to four recipients.

At a glance...

- EN 50136-2 SP2 (Grade 2)
- GSM or PSTN
- Digital Communicator (FF, CID, SIA1, 2 & 3)
- SMS messaging
- Speech Dialler

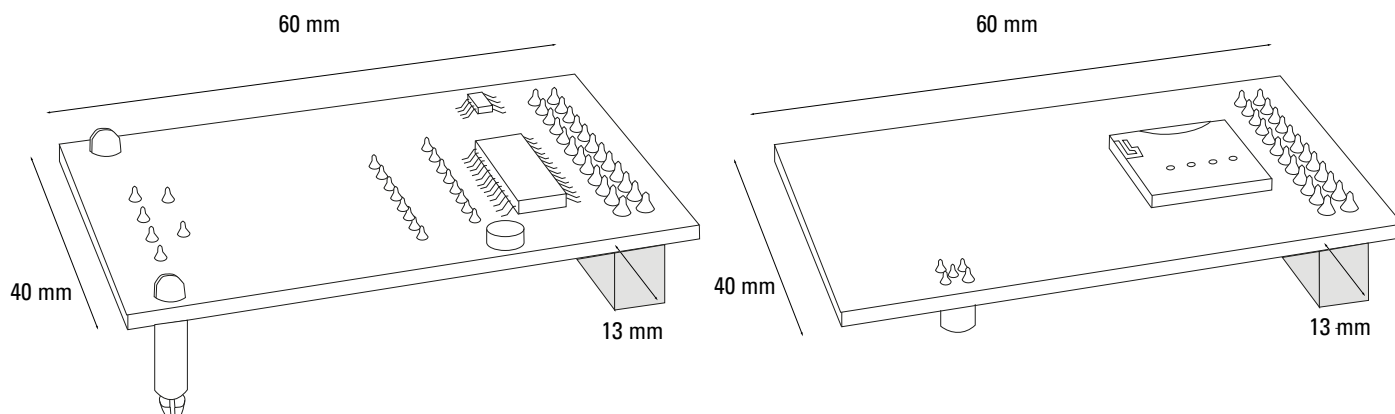


Powering Business Worldwide

Scantronic product data sheet

Product specification

| | | |
|-----------------------|--|---|
| Product code | COM-SD-PSTN | COM-SD-GSM |
| Mounting (LOV) | Plug on | Plug on |
| EN 50136-2 ATS class | SP2 | SP2 |
| Power consumption | Quiescent: 20mA Max: 30mA | Quiescent: 15mA Max: 140mA |
| Operating temperature | -10°C to +55°C | -10°C to +55°C |
| Radio frequency | n/a | GSM - 850/900/1800/1900MHz |
| Environmental | Class II | Class II |
| Number of messages | 4 | 4 |
| Number of contacts | 4 | 4 |
| Speech and SMS | Over PSTN: Yes Over GSM: No | Over PSTN: No Over GSM: Yes |
| Antenna | Built-in: n/a External: n/a | Built-in: Yes External: COM-ANT-01 |
| SIM size | n/a | Micro SIM |
| Dimensions | (LxWxD) 60 mm x 13 mm x 40 mm | (LxWxD) 60 mm x 13 mm x 40 mm |



Compare product compatibility with our easy to read chart: www.eaton.com/security-works-with

Eaton
Electrical Sector
EMEA Route de la Longeraie 7
1110 Morges, Switzerland

Eaton Electrical Products Ltd
Security House,
Vantage Point Business Village,
Mitcheldean, Gloucestershire
GL17 0SX

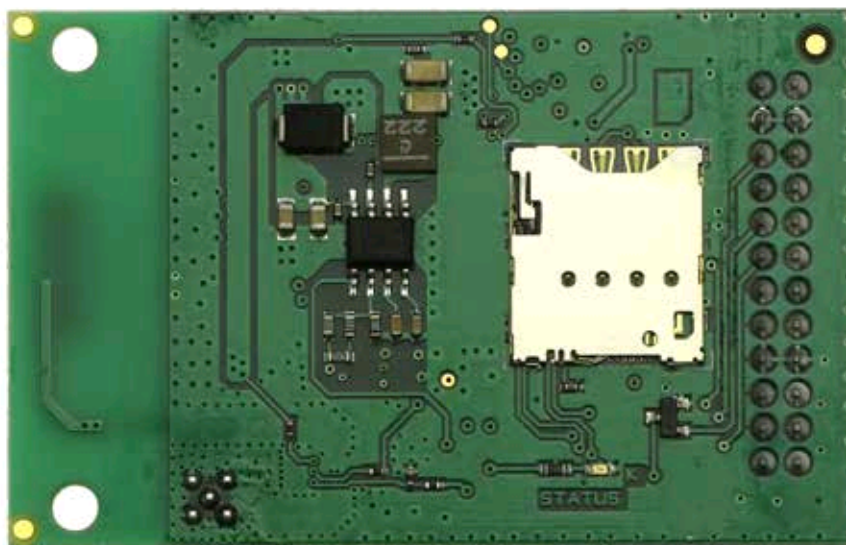
Tel: +44 (0)1594 545 400
Email: securitysales@eaton.com
Web: www.myscantronic.com

Eaton is a registered trademark of Eaton Corporation.

All other trademarks are property of their respective owners.

Eaton SecureConnect™ 4G Cloud Communicator

The COM-DATA-4G is a plug-on module that allows a control unit to access the Eaton SecureConnect™ service over the internet using LTE and GSM (4G and 2G) mobile phone networks.



The 4G Cloud Communicator is a plug-on module that allows a control unit to access the Eaton SecureConnect™ service over the internet using 4G and 2G mobile phone networks. It enables access to our Installer cloud portal and end-user app without the need for the customer to have existing internet access in the premises. In addition to having the fastest mobile data communication we have ever provided it also offers backup connection through the 2G network providing further redundancy all from one simple plug-on device.

- **Always connected:** consistent connectivity to Eaton SecureConnect™, no need to worry about power cuts or poor broadband connections
- **Independent connectivity:** No need to connect to a router, Ideal for temporary installations or premises without an internet connection.
- **Adaptive technology:** Automatic switching between both 4G and 2G technology.
- **Secure connectivity:** Tested by Eaton's Cyber-Security Centre of Excellence, The COM-DATA-4G is designed with security in its DNA, using class-leading protection against digital threats.

At a glance...

- 4G and 2G technology
- Secure connectivity over mobile network
- Dual path connectivity to Eaton SecureConnect™

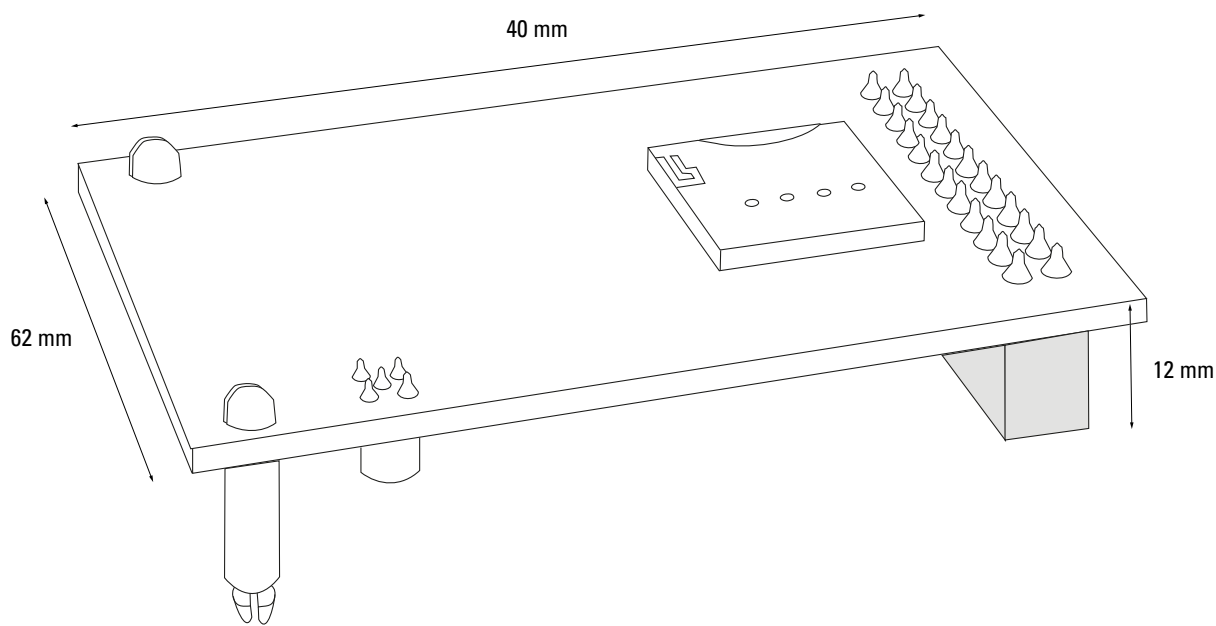


Powering Business Worldwide

Scantronic product data sheet

Product specification

| | |
|-----------------------|--|
| Product Code | COM-DATA-4G |
| Compliance | EN 50131-10:2014; EN 50136-2:2013 |
| ATS class | EN 50136-2 SP2 |
| Power supply | 12Vdc; 240mA (max. when active); 15mA quiescent |
| Operating temperature | -10 C to +55 C |
| Humidity | 0-93% non-condensing |
| Environmental | Class II |
| 4G capability | Tri-band LTE, 1800MHz (B3), 900MHz (B8) and 800MHz (B20); Max power 25dBm |
| 2G capability | Dual-band GSM/GPRS/EDGE (900MHz and 1800MHz); Max power 2W. |
| Antenna | Built-in, and MMCX connector for external antenna (COM-ANT-01) |
| SIM card | Micro SIM (3FF) |
| Mobile network | Requires a data SIM card and network provider that supports 2G and 4G |



Compare product compatibility with our easy to read chart: www.eaton.com/security-works-with

Eaton
Electrical Sector
EMEA Route de la Longeraie 7
1110 Morges, Switzerland

Eaton Electrical Products Ltd
Security House,
Vantage Point Business Village,
Mitcheldean, Gloucestershire
GL17 0SX

Tel: +44 (0)1594 545 400
Email: securitysales@eaton.com
Web: www.myscantronic.com

Eaton is a registered trademark of Eaton Corporation.

All other trademarks are property of their respective owners.

Speech diallers for intruder alarm systems

Stand-alone speech diallers that can complement any system requiring alerts of changes in system conditions. The TSD2 is also capable of temperature monitoring.



The SD1 and TSD2 are stand-alone speech diallers designed to complement any system that requires alerts of changes in system conditions. The TSD2 is also capable of temperature monitoring.

Messages are sent over standard PSTN line, using personalised voice messages to be transmitted to up to four (SD1) or ten (TSD2) recipients.

The TSD2 also has built-in programmable outputs which can be operated remotely over PSTN. And its integrated microphone and speaker adds to the ability to listen in and speak to the site remotely.

Both are complete units, with keypad and display for programming and set up.

At a glance SD1:

- Uses PSTN
- Up to four recipients

At a glance TSD2:

- PSTN
- Up to ten recipients
- Built-in programmable outputs
- Built-in microphone and speaker remote site monitoring and communication

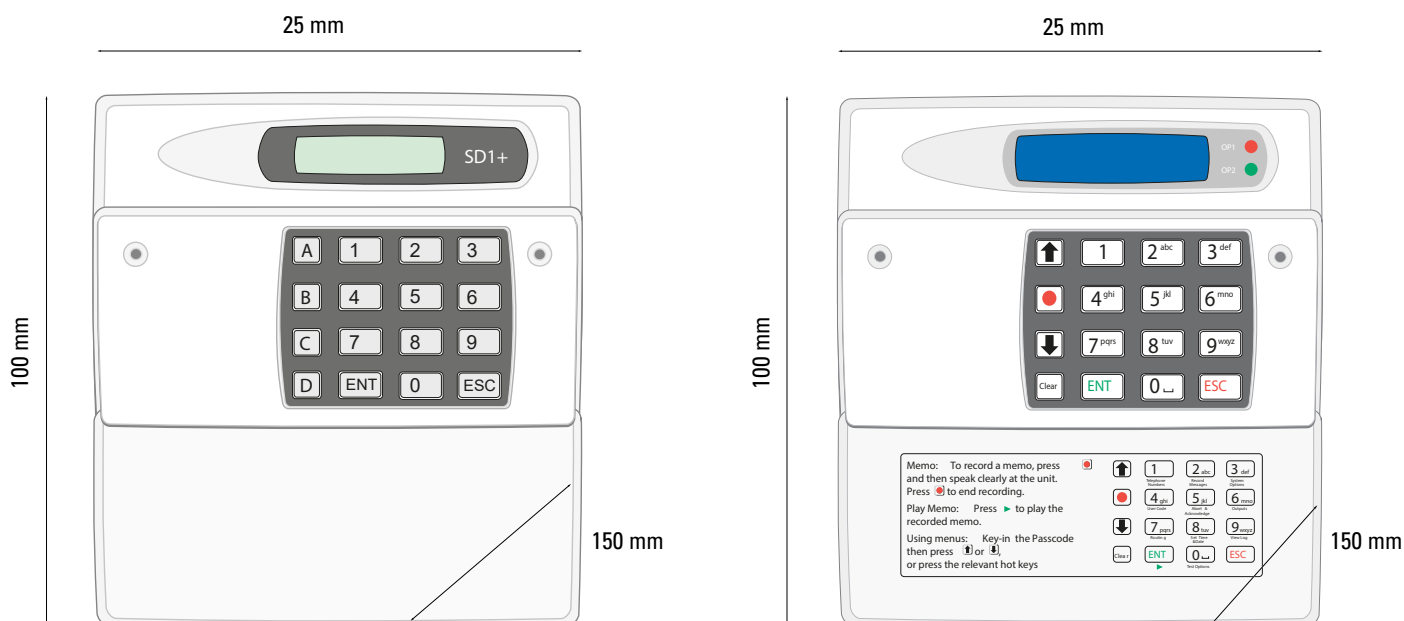


Powering Business Worldwide

Scantronic product data sheet

Product specification

| | | |
|--------------------------|-------------------------------------|-----------------------------------|
| Product Code | SD1-UK & SD1-EUR | TSD2 |
| Contacts | 4 | 10 |
| Messages | Speech: 4 SMS: n/a | Speech: 4 SMS: 4 |
| Power supply (V) | 11.5 – 14 | 10.5 – 14 |
| Operating temperature | -10 to +50 | -10 to +50 |
| Environmental class | Class II | Class II |
| Temperature sensor (LOV) | No | Yes |
| ARC format | N/A | N/A |
| Max. number of inputs | 4 | 4 |
| Remote access (LOV) | No | Yes |
| Dimensions | HxWxD 100mmx25mmx150mm | HxWxD 100mmx25mmx150mm |



Compare product compatibility with our easy to read chart: www.eaton.com/security-works-with

Stand-alone speech diallers

Stand-alone speech diallers that can complement any system requiring alerts of changes in system conditions, including temperature monitoring. All messages are sent over GSM enabling SMS and speech messages, or standard PSTN line (SD3 only).



Personalised voice messages can be transmitted to up to ten recipients. A complete unit, with keypad and display for programming and set up. With built-in programmable outputs which can be operated remotely over PSTN or GSM.

The integrated microphone and speaker adds to the ability to listen in and speak to the site remotely.

At a glance...

- PSTN (SD3 only)
- GSM
- Up to ten recipients
- Built-in programmable outputs
- Built-in microphone and speaker remote site monitoring and communication

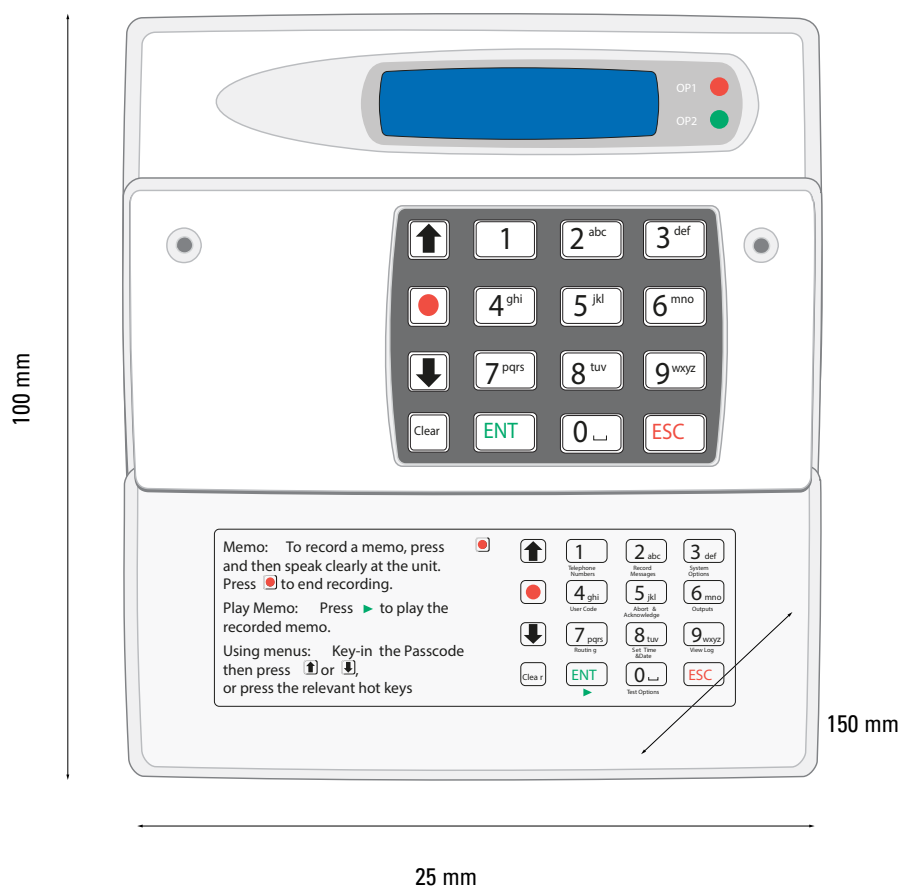


Powering Business Worldwide

Scantronic product data sheet

Product specification

| | | |
|-----------------------------------|----------------------|----------------------|
| Product Code | SD3 | SD-GSM |
| Contacts | 10 | 10 |
| Messages | Speech: 8 SMS: 8 | Speech: 8 SMS: 8 |
| Power supply (V) | 12-28 | 12-28 |
| Operating temperature | -10 to +50 | -10 to +50 |
| Environmental | Class II | Class II |
| Antenna | External | External |
| ARC format | N/A | N/A |
| Max. number of inputs | 8 | 8 |
| Max. number of transistor outputs | 4 | 4 |
| Dimensions | 100x25x150mm (hwxwd) | 100x25x150mm (hwxwd) |



Compare product compatibility with our easy to read chart: www.eaton.com/security-works-with

Eaton
Electrical Sector
EMEA Route de la Longeraie 7
1110 Morges, Switzerland

Eaton Electrical Products Ltd
Security House,
Vantage Point Business Village,
Mitcheldean, Gloucestershire
GL17 0SX

Tel: +44 (0)1594 545 400
Email: securitysales@eaton.com
Web: www.myscantronic.com

Eaton is a registered trademark of Eaton Corporation.

All other trademarks are property of their respective owners.

External sounder



A range of external sounders, in three colours, with options for radio, wired and decoy.

Designed for use with i-on control panels new and legacy 868MHz systems. Wired variants also compatible with third-party control units

Engineer-friendly: a self-supporting lid, built-in spirit-level and revolving fixing holes for ease of installation including on uneven surfaces

High-power comfort LEDs and LED strobes: provides reassurance for the user

Common enclosure for entire range: impact-resistant polycarbonate construction in a choice of 3 colours: blue, amber and red

At a glance...

- Wired sounder selectable between Self Contained Bell (SCB) or Self Actuated Bell (SAB) modes:
 - In SCB mode the sounder, in alarm condition, draws its power from its integral internal battery
 - In SAB mode the sounder is driven from the control panel
- Low-volume maintenance mode
 - Self-supporting lid
 - Built-in spirit level
- Sound output 100 dB at 1 meter
- Low current consumption (35mA and 225mA in-alarm current)
- Front and rear tamper (except SDR-DEXT)
- Lid and rear tamper detection
- Selectable cut-off timer
- Choice of siren tones
- Compliance: EN50131-4 Grade: Grade 2 (SDR-WEXT-G2 and SDR-REXT-G2), or Grade 3 (SDR-WEXT-G3), PD6662:2017

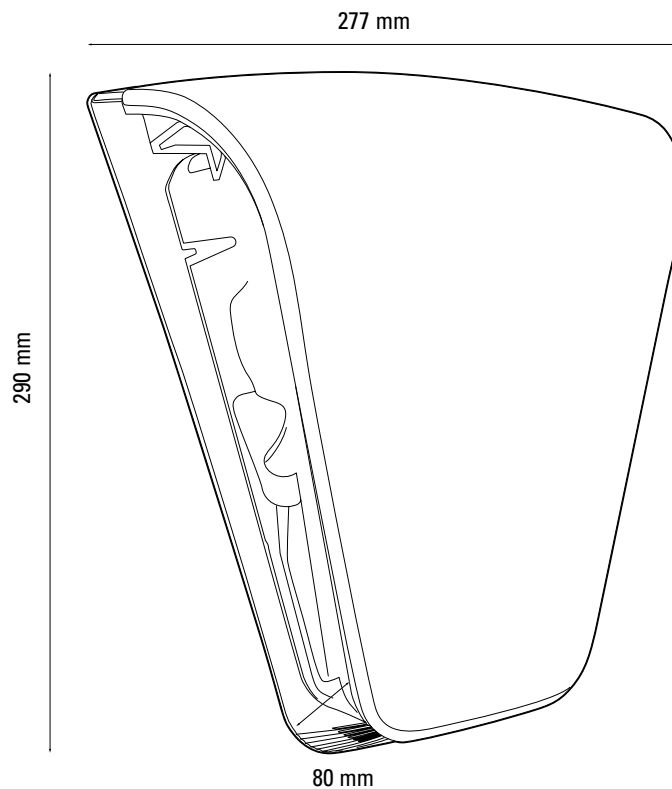


Powering Business Worldwide

Scantronic product data sheet

Product specification

| Product code | SDR-REXT-G2 | SDR-WEXT-G2 | SDR-WEXT-G3 | SDR-DEXT |
|-----------------------|-------------------------------------|--|--|-----------------|
| Sound Output | 100 dB(A) at 1m | | | n/a |
| Weight | 1.4kg | | 1.2kg | 1.1kg |
| Current consumption | n/a | 35mA quiescent current including battery charge and comfort LEDs. 225mA in-alarm current (in SAB mode) | 35mA quiescent current including battery charge and comfort LEDs. 225mA in-alarm current (in SAB mode) | n/a |
| Operating temperature | -25°C to +60°C | | | |
| Max Relative Humidity | 95% | | | |
| Supply voltage | n/a | 9V to 16VDC | | n/a |
| IP rating | IP65 | | | n/a |
| Cut off timer | Selectable: 5 secs, 3 mins, 15 mins | | | n/a |
| Wireless frequency | 868.6625 MHz | n/a | n/a | n/a |
| Battery packs | 2 x 3V Alkaline | 1 x 7.2 Lithium | 1 x 7.2 Lithium | 1 x 7.2 Lithium |
| Dimensions | 290mm (h) x 277mm (w) x 80mm (d) | | | |



Compare product compatibility with our easy to read chart: www.eaton.com/security-works-with

Internal radio sounder



Fully compatible with Scantronic i-on range, Eaton's SDR-RINT internal sounder enables tidier wire-free domestic installation.

The SDR-RINT internal sounder is ideal for those hard-to-reach areas out of earshot of keypads or panels - but where users need to hear system sounds. Designed with a discreet housing, the unit blends in easily in entrance halls and other aesthetically sensitive areas. What's more, it offers the option of connecting via either a radio expander or control unit with built-in radio capability.

At a glance...

- 2 way radio
- Uses 4 x AA batteries
- 80dB output
- All system sounds including entry/ exit, fault and alarm tones
- Multiple internal radio sounders can be put on the same system
- Compatible with all current i-on control panels

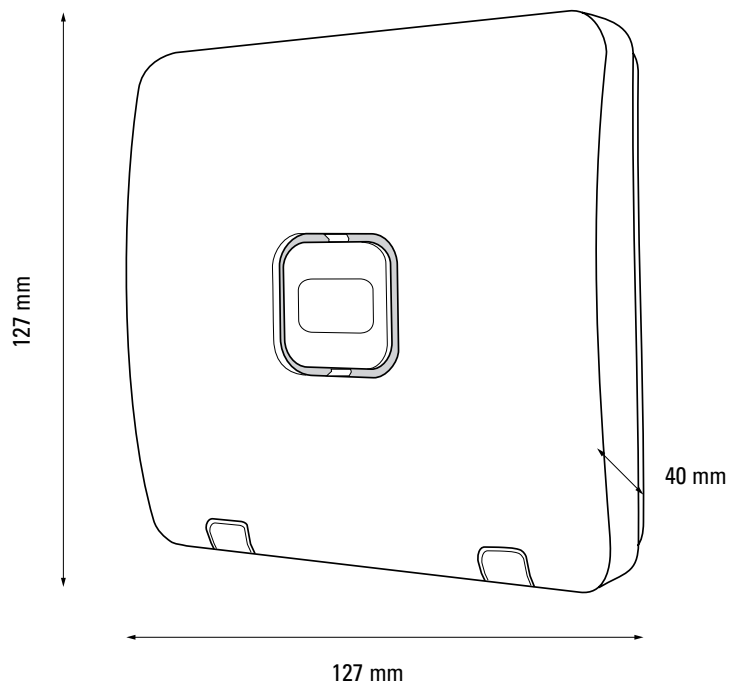


Powering Business Worldwide

Scantronic product data sheet

Product specification

| | |
|-----------------------|---|
| Product Code | SDR-RINT |
| Current consumption | Active current 100mA. Quiescent current 30 μ A when powered by batteries, or 12 mA when powered externally |
| Sound Output | 80dB at 1 metre |
| Radio Frequency | 868.6625 MHz narrowband |
| Range | 500m in free space |
| Cut-off period | Auto-silences after 3 minutes if powered only by batteries |
| Case material | Polycarbonate |
| Intrusion standards | PD6662:2017, EN50131 Grade 2 |
| Battery type | 4 x 1.5Vdc AA alkaline |
| Battery life | Typically >12 months when powered only by batteries, assuming a total of 80 seconds per day of entry/exit tones |
| Weight | 275g (with batteries) |
| Operating Temp. Range | -10 C to +55 C |
| Max Relative Humidity | 95% |
| Dimensions | 127mm (h) x 127mm (w) x 40mm (d) |



Compare product compatibility with our easy to read chart: www.eaton.com/security-works-with

Eaton
Electrical Sector
EMEA Route de la Longeraie 7
1110 Morges, Switzerland

Eaton Electrical Products Ltd
Security House,
Vantage Point Business Village,
Mitcheldean, Gloucestershire
GL17 0SX

Tel: +44 (0)1594 545 400
Email: securitysales@eaton.com
Web: www.myscantronic.com

Eaton is a registered trademark of Eaton Corporation.

All other trademarks are property of their respective owners.



16ohm extension speaker in tampered housing.

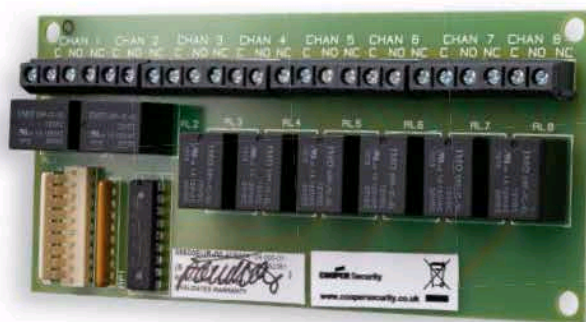
The 9040 is designed to emit all system tones including entry and exit tones, alarm and fault conditions.



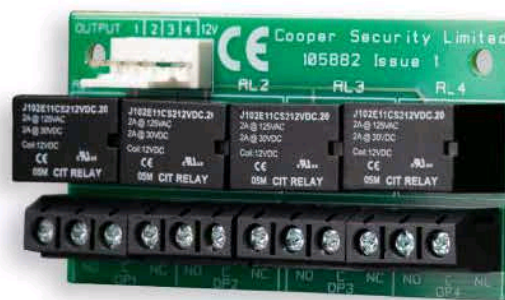


Relay cards

8600 relay card



i-RC01 relay card



The 8600 relay expansion card is designed to fit a range of Eaton security equipment converting transistorised outputs to clean contact relay outputs. This card contains eight relays, each with its own dedicated input.

The i-RC01 relay card is used with i-on control panels and expanders to convert the four on board transistorised outputs to clean contact relays. The relay card uses screw-free mountings specifically designed into these products for this purpose. Also fits into preformed clips in expander housing.

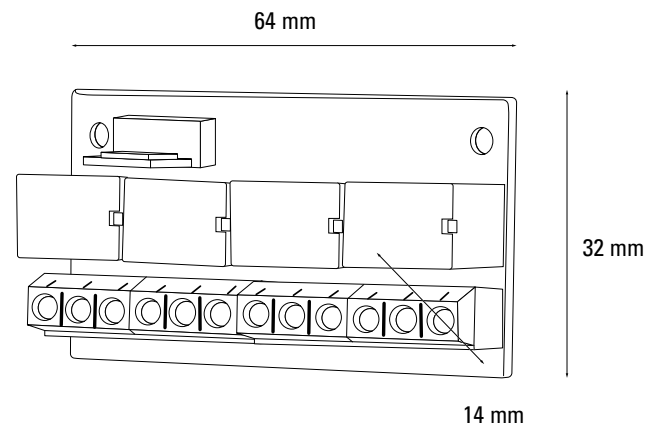
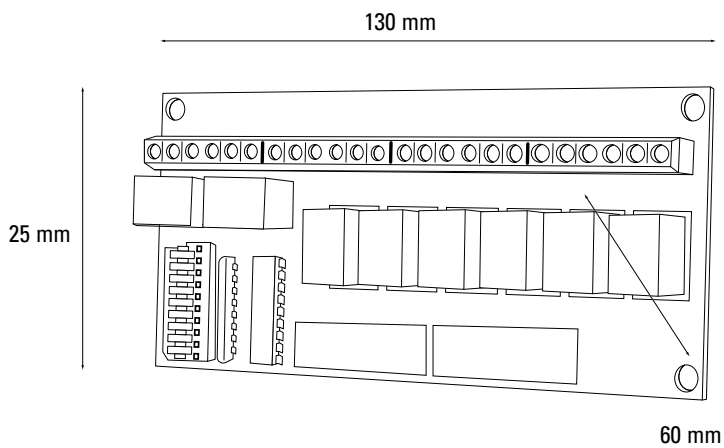
At a glance...

- Rated at 1Amp
- Supplied with ready-terminated connecting cables
- Can be fitted to both wired and radio control panels

Scantronic product data sheet

Product specification

| | | |
|-----------------------|------------------------------|-----------------------------|
| Product code | 8600EUR-00 | i-RC01 |
| Connection | Eight relay output card | Four relay output card |
| Operating humidity | -10°C to +55°C | -10°C to +55°C |
| Operating temperature | 95% | 95% |
| Relay rating | 19ma per relay | 20ma per relay |
| Dimensions | H x W x D = 25 x 130 x 60 mm | H x W x D = 32 x 64 x 14 mm |



Compare product compatibility with our easy to read chart: www.eaton.com/security-works-with

Eaton
Electrical Sector
EMEA Route de la Longeraie 7
1110 Morges, Switzerland

Eaton Electrical Products Ltd
Security House,
Vantage Point Business Village,
Mitcheldean, Gloucestershire
GL17 0SX

Tel: +44 (0)1594 545 400
Email: securitysales@eaton.com
Web: www.myscantronic.com

Eaton is a registered trademark of Eaton Corporation.

All other trademarks are property of their respective owners.

Pendant transmitters

On your side when you need help most. Hopefully, you'll never need to find out why our pendant transmitters are so highly regarded. But should you ever be attacked, you'll quickly realise why over 750,000 people worldwide trust them with their lives.



At a glance...

- Reliable, secure Scantronic 868 MHz narrow-band radio operation
- Suitable for use as panic alarms and social alarm triggers
- Two models cater for all applications
- A range of fixings enable the units to be carried or worn on the person
- Soldered-in lithium battery-powered to ensure operation even if dropped

Both the 701 & 702 models use our tried and tested 868 MHz narrow-band radio signal for secure, reliable operation. And to ensure your transmitter is always working, the lithium battery sends a signal when less than one month's operation remains. Moreover, the wide variety of wearing options – including neck pendant, hand-held, pocket clip and watch strap – means there's a style to suit everyone.

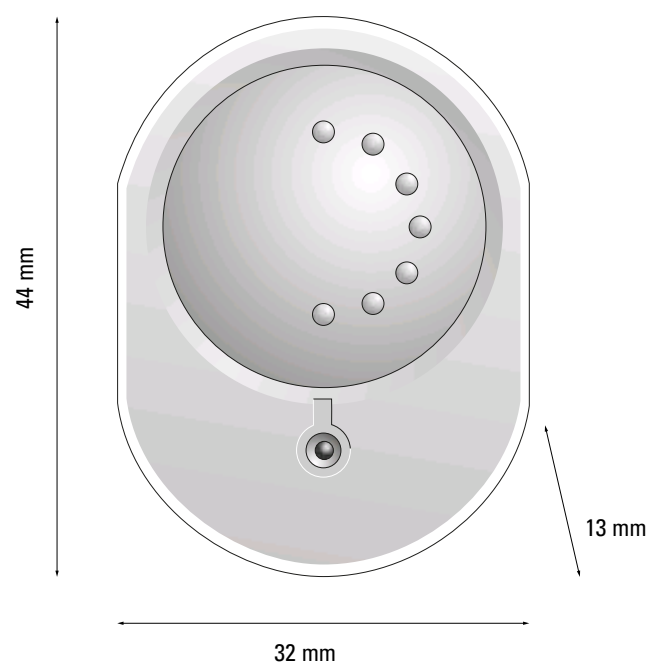
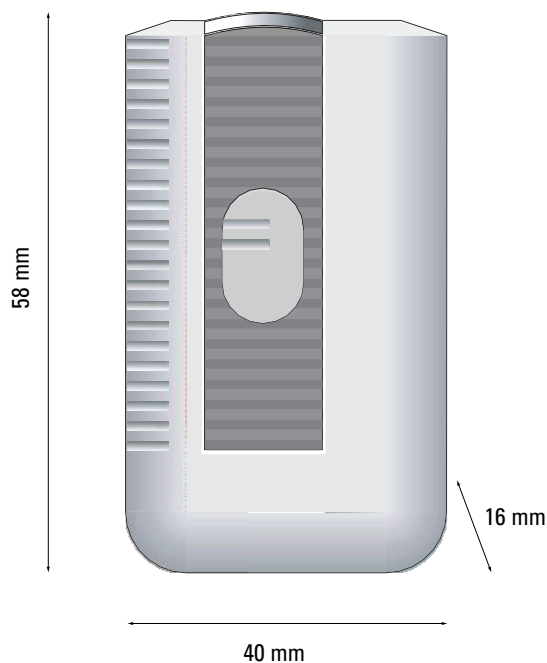
EATON

Powering Business Worldwide

Scantronic product data sheet

Product specification

| | | |
|------------------------|----------------------------|-------------------------------|
| Product Code | 701rEUR-50 | 701rEUR-00 |
| Description | Pendant transmitter | Wristwatch transmitter |
| Colour | White | White |
| Transmission power | 10mW | 10mW |
| Free space radio range | >300m | >175m |
| Power supply (battery) | 3v Li non-user replaceable | 3v Li non-user replaceable |
| Water resistance | Splash proof | Shower proof |
| Compliance | Directive 2014/53/EU | European Directive: 1995/5/EC |
| Temperature range | -10 to +55 °C | -10 to +55 °C |
| Dimensions | 58 x 40 x 16 mm | 44 x 32 x 13 mm |



Compare product compatibility with our easy to read chart: www.eaton.com/security-works-with

Personal attack transmitters



Hopefully, your staff will never need to find out why our personal attack transmitters are so highly regarded. But should they ever feel threatened, they'll quickly realise why over 750,000 people worldwide trust them with their lives. The 705, 710 and 726 models all come with 10mW transmitting power compared to the usual 0.25mW.

And, to ensure your transmitter is always working, the long-life lithium battery sends a signal when less than one month's operation remains.

All models are designed to prevent accidental activation and a variety of wearing options – hand-held, neck pendant or clip-on – means there's a style to suit everyone. The range of transmitters has a double push radio channel for HUA.

At a glance...

- Reliable, secure Scantronic 868 MHz narrow-band radio operation
- Dual button operation
- 2-channel version for alert (pre-warning) + alarm signals
- Version for man-down detection + alarm signals
- Extended and standard range options
- Lithium battery-powered (supplied)
- Typical battery life of 3-5 years

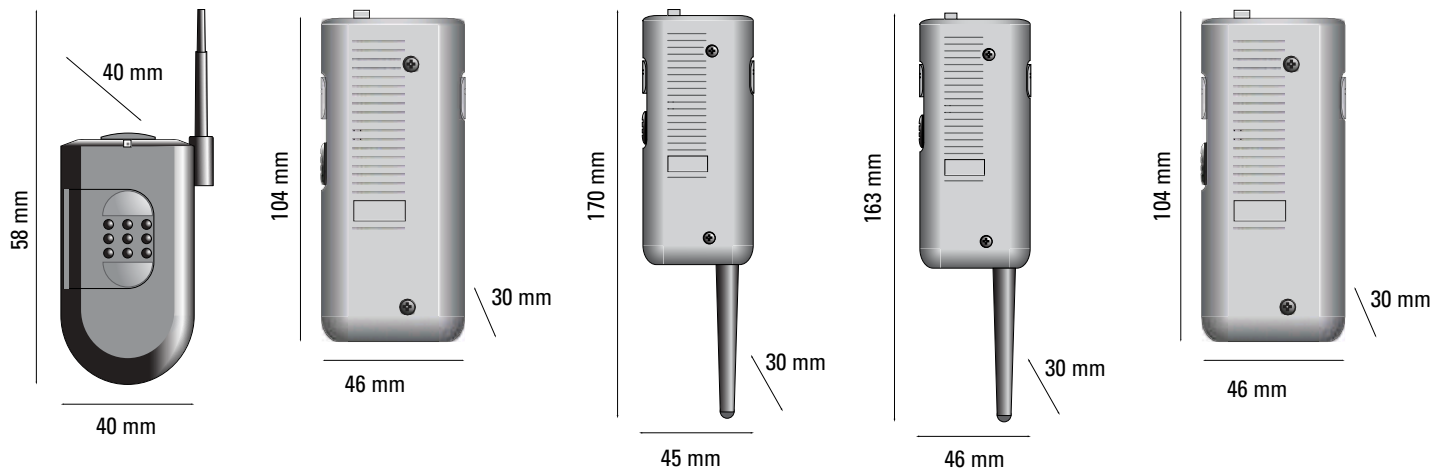


Powering Business Worldwide

Scantronic product data sheet

Product specification

| Part number | 710rEUR-00 | 705rEUR-00 | 706rEUR-00 | 726rEUR-50 | 726rEUR-60 |
|------------------------|--|---|---|--|---|
| Description | Single channel personal attack transmitter with belt or pendant mounting | 2 channel personal attack transmitter with secondary programmable channel | 2 channel personal attack transmitter with secondary tilt sensor "man down" channel | Single channel personal attack transmitter with belt mounting and extended range | Single channel personal attack transmitter with belt mounting |
| Channels | 1 | 2 | 2 | 1 | 1 |
| Transmission power | 10mW | 10mW | 10mW | 10mW | 10mW |
| Free space radio range | >1000M | >600M | >900M | >1000M | >600M |
| Power supply (battery) | 3v CR2 Li Replaceable | 3.6v Li 1/2 AA Non-replaceable | 3.6v Li 1/2 AA Non-replaceabl | 3.6v Li 1/2 AA Non-replaceable | 3.6v Li 1/2 AA Non-replaceable |
| Temperature range | -10 to +55 °C | -10 to +55 °C | -10 to +55 °C | -10 to +55 °C | -10 to +55 °C |
| Dimensions | 58 x 40 x 16mm | 104 x 46 x 30mm | 170 x 45 x 30mm (including aerial) | 163 x 46 x 30mm | 104 x 46 x 30mm |



Compare product compatibility with our easy to read chart: www.eaton.com/security-works-with

Eaton
Electrical Sector
EMEA Route de la Longeraie 7
1110 Morges, Switzerland

Eaton Electrical Products Ltd
Security House,
Vantage Point Business Village,
Mitcheldean, Gloucestershire
GL17 0SX

Tel: +44 (0)1594 545 400
Email: securitysales@eaton.com
Web: www.myscantronic.com

Eaton is a registered trademark of Eaton Corporation.

All other trademarks are property of their respective owners.

Multiple channel radio transmitter

The 703 is a four channel radio transmitter that can be used in conjunction with any wired detector or device to provide a radio solution when wiring is not possible.



Capable of transmitting signals from up to four locations, it's ideal for communicating with a central control point. And whether you need it to monitor lights, doors, pumps, machines, plant or farm machinery or other equipment, you'll find our 868 MHz narrow-band ensures reliable operation.

Moreover, it can work with wired vibration sensors to detect attacks on doors, windows, walls and safes. Likewise, by using it with a keyswitch it can act as a simple alarm system.

Powered by either 12vDC or batteries, the 703 can just as easily be used for outbuildings with no electricity as indoor locations.

However, you use it though, you can expect the 703 to perform to the highest standards to keep you informed.

At a glance:

- Reliable Scantronic 868 MHz narrow-band radio operation
- Programmable supervision signals for extra protection
- Programmable options to cater for a wide variety of uses
- Can function as a simple alarm system + transmitter
- Integral analyser for connection of external inertia sensors
- Accepts up to four signals from a wide variety of monitoring triggers
- 12vDC and/or 2 x AA alkaline battery powered

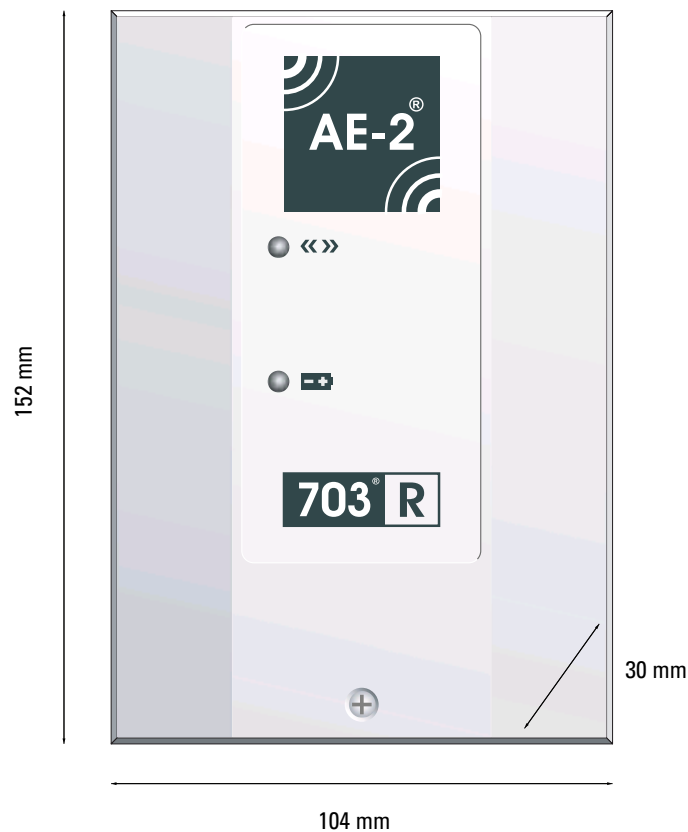


Powering Business Worldwide

Scantronic product data sheet

Product specification

| | |
|-----------------------|--|
| Product Code | 703rEUR-00 |
| Power supply | 12vDC and/or Quiescent current 15mA |
| Operating temperature | -10 C to +55 C |
| Radio frequency | Operating frequency 868.6625MHz at 20kHz bandwidth. CE tested to I-ETS 300 220 |
| Environmental | Environmental grade II |
| Battery type (LOV) | 1.5V AA lithium |
| Enclosure material | Plastic |
| Typical battery life | 2 Years (30 days in Modes 7 and 8) |
| Programming display | Two by seven-segment LED. Visible with case open |
| Supervision interval | Programmable 4 or 29 minutes |
| Dimensions | 152 x 104 x 30 mm (H x W x D) |



Compare product compatibility with our easy to read chart: www.eaton.com/security-works-with

Eaton
Electrical Sector
EMEA Route de la Longeraie 7
1110 Morges, Switzerland

Eaton Electrical Products Ltd
Security House,
Vantage Point Business Village,
Mitcheldean, Gloucestershire
GL17 0SX

Tel: +44 (0)1594 545 400
Email: securitysales@eaton.com
Web: www.myscantronic.com

Eaton is a registered trademark of Eaton Corporation.

All other trademarks are property of their respective owners.

Telemetry receivers



This highly flexible range of receivers can be used as a stand-alone unit or linked to other systems to provide radio integration. Applications include signalling the opening or closing of doors or windows and the remotely switching of connected devices such as lights, doors and machines. Includes two relay outputs that can be connected to many building management systems (BMS) to indicate alarm sensor activation.

At a glance...

- Internal and external aerials to increase radio range
- Allows radio contacts/PIR/shock sensors to be added without extra cabling
- Built-in LEDs and sounder
- Compatible i-on range radio outputs

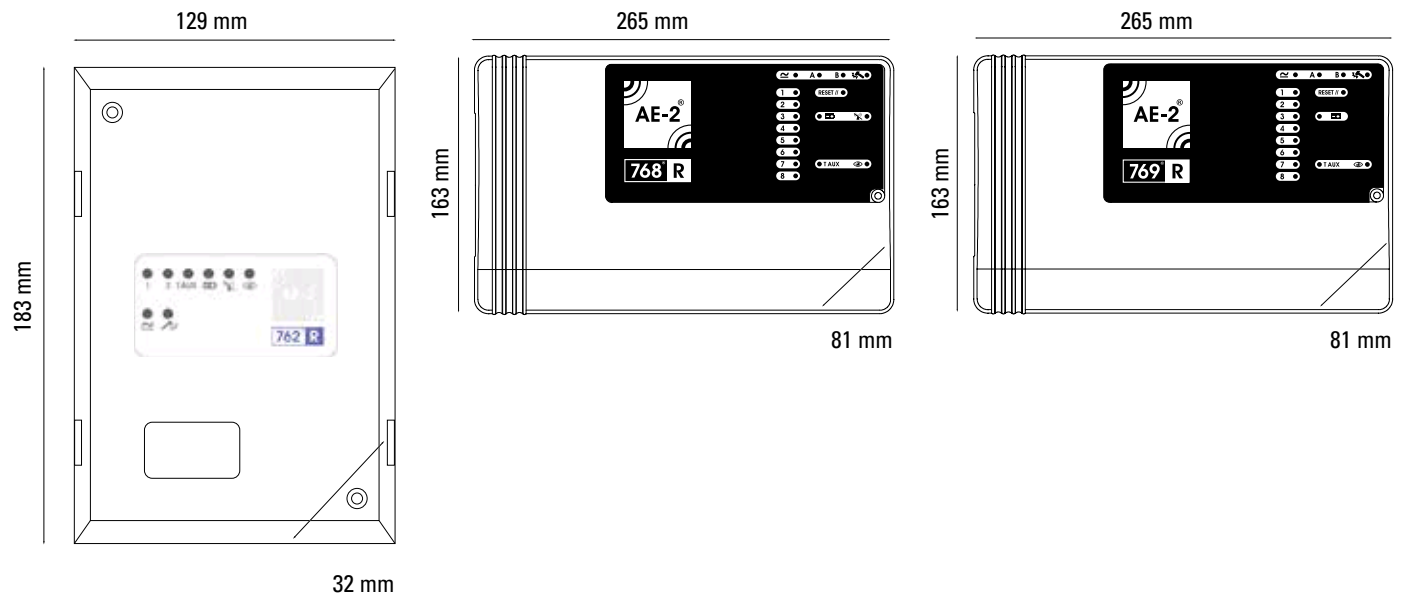


Powering Business Worldwide

Scantronic product data sheet

Product specification

| Product Code | 762rEUR-00 | 768rEUR-50 | 769rEUR-50 (expander) |
|------------------------|-------------------------|---------------------------|---------------------------|
| Channels | 2 | 8 | 8 |
| Devices per channel | 4 | 4 | 4 |
| Power supply | 9-15 VDC | 12 VDC | 12 VDC |
| Radio frequency | 868.6625 MHz | 868.6625 MHz | 868.6625 MHz |
| Internal aerial | Yes | Yes | Yes |
| Compliance | 2014/53/EU Directive | 1995/5/EC R&TTE Directive | 1995/5/EC R&TTE Directive |
| Enclosure material | Plastic | Plastic | Plastic |
| Power consumption (mA) | 55 | 55 | 55 |
| Programming display | Two x seven-segment LED | Two x seven-segment LED | Two x seven-segment LED |
| LED indicators | 8 | 16 | 16 |
| Dimensions | 183x129x32mm (HxWxD) | 163x265x81mm (HxWxD) | 163x265x81mm (HxWxD) |



Compare product compatibility with our easy to read chart: www.eaton.com/security-works-with

Eaton
Electrical Sector
EMEA Route de la Longeraie 7
1110 Morges, Switzerland

Eaton Electrical Products Ltd
Security House,
Vantage Point Business Village,
Mitcheldean, Gloucestershire
GL17 0SX

Tel: +44 (0)1594 545 400
Email: securitysales@eaton.com
Web: www.myscantronic.com

Eaton is a registered trademark of Eaton Corporation.

All other trademarks are property of their respective owners.

Radio test meter



This simple to use radio site survey tool effectively identifies the optimum location for radio devices

By evaluating the radio signal strength before installation the success of a radio system is greatly increased, reducing the number of return visits and re-installs due to the premises not being suitable for radio devices or the radio devices being installed in an unsuitable location.

The hand held device operates with a one-button push and the simple red/green indicator means training is not necessarily required. An additional numerical display within the receiver housing offers an accurate measure of radio signal strength, if required.

Contained within a professional, protective case with optimal space for other product demonstration and literature.

At a glance...

- Straight-forward to use with a one-button push
- Simple red/green indicator means training is not necessary
- Uses easily replaceable and cost-effective AA batteries
- One person operation
- Optional PSU

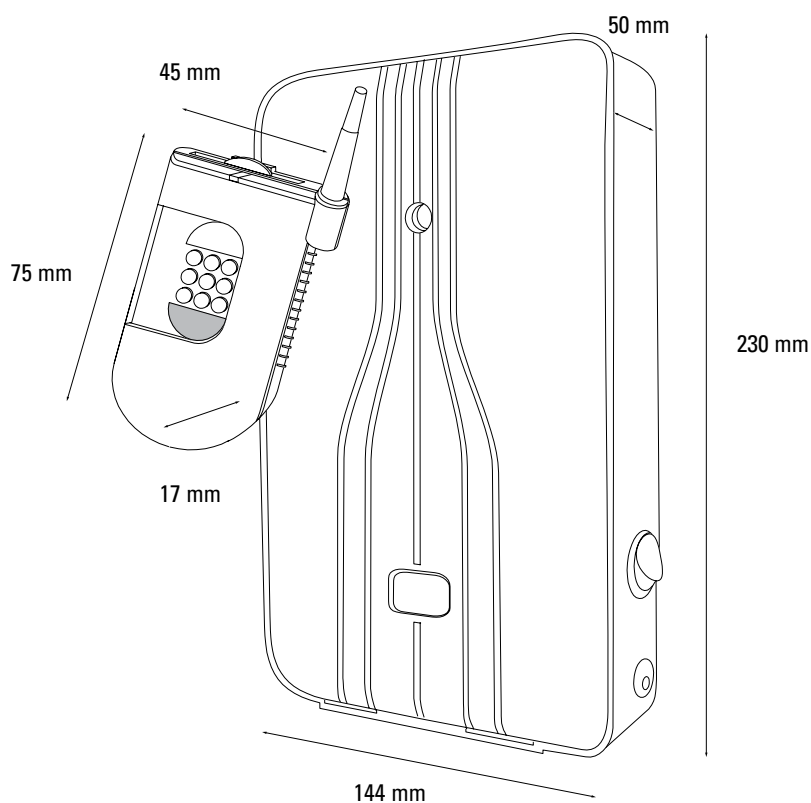


Powering Business Worldwide

Scantronic product data sheet

Product specification

| | |
|------------------------------------|--|
| Product Code | DET-RSURV01 |
| ERP description | Signal strength meter |
| Radio frequency | 868.6625MHz |
| Enclosure material | Plastic |
| Enclosure colour | White |
| Typical battery life | 60 months |
| Operating temperature (C) (range) | -10 to +55 °C |
| Maximum operating humidity (%) | 95 |
| Replacement battery code | Receiver: 2 x AA Alkaline, Transmitter: 3V Lithium CR1/3N |
| Optional Power Supply | DET-RSURV-PSU |
| Power consumption (mA) | 440 |
| External supply option | Yes |
| Interface cable | No |
| Dimensions | Receiver: 230mm (h) x 144mm (w) x50mm (d) Transmitter: 75mm (h) excluding aerialx 45mm (w) x 17mm (d) |



Compare product compatibility with our easy to read chart: www.eaton.com/security-works-with

Eaton
Electrical Sector
EMEA Route de la Longeraie 7
1110 Morges, Switzerland

Eaton Electrical Products Ltd
Security House,
Vantage Point Business Village,
Mitcheldean, Gloucestershire
GL17 0SX

Tel: +44 (0)1594 545 400
Email: securitysales@eaton.com
Web: www.myscantronic.com

Eaton is a registered trademark of Eaton Corporation.

All other trademarks are property of their respective owners.

Engineer's keypad



The KEY-ENG is a portable, lightweight i-on security keypad that makes the installation and configuration of systems much simpler. When installing a system you need everything to hand, particularly when in awkward areas of a building. Due to this, the KEY-ENG is supplied with a protective case and belt clip providing quick and easy access.

At a glance...

- Portable, lightweight i-on keypad to assist in your installations
- Easy to carry in a protective case with belt clip for quick access
- Move engineering session around installation
- Plugs on to i-on panels and expanders
- Cuts installation time
- No need to locate the nearest keypad to make configuration changes or to carry out localised testing

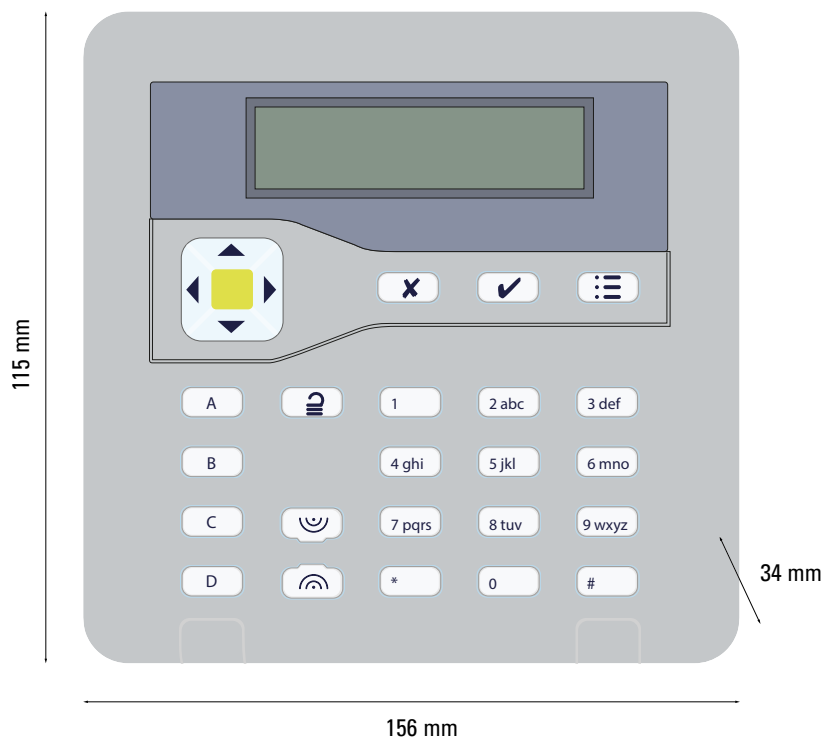
EATON

Powering Business Worldwide

Scantronic product data sheet

Product specification

| | |
|------------------------------------|---|
| Product code | KEY-ENG |
| Description | Engineers keypad, test & configuration, plugs on to control panel and expanders |
| Device connections | Wired |
| EN 50131 grade | N/A |
| Environmental class | 2 |
| Dedicated PA keys | Yes |
| Enclosure material | Plastic |
| Enclosure colour | White |
| Operating temperature (°C) (range) | -10 to +55 |
| Operating humidity (%) | 0-93% RH Non condensing |
| Supply (V) | 10 to 13.8 |
| Display with LED indication | Yes |
| Dimensions | 115mm x 156mm x 34mm |



Compare product compatibility with our easy to read chart: www.eaton.com/security-works-with

Pack of five accessory shelves



This product speeds the secure installation of 3rd party equipment, especially communicators, inside our medium and large metal end stations. Saving time and simplifying the installation.

In addition the design of this product accommodates our EXP-W10 PCB. Where a wired expander may have been fitted alongside the control panel, a cleaner, faster installation can be achieved by putting the expander PCB inside the end station. Avoiding the need for additional cabling and drilling.

Straight forward to fit, it has flexible means of attachment by either using the mounting holes or self-adhesive strips, already included in the box.

At a glance...

- Choice of finishes for installation on wood or pvc
- Hinged attachment for straight forward access to the main panel PCB
- Clip-on hinge for easy removal during maintenance
- Tie wrap anchor points for cable management
- EXP-W10 clips in without additional fixings

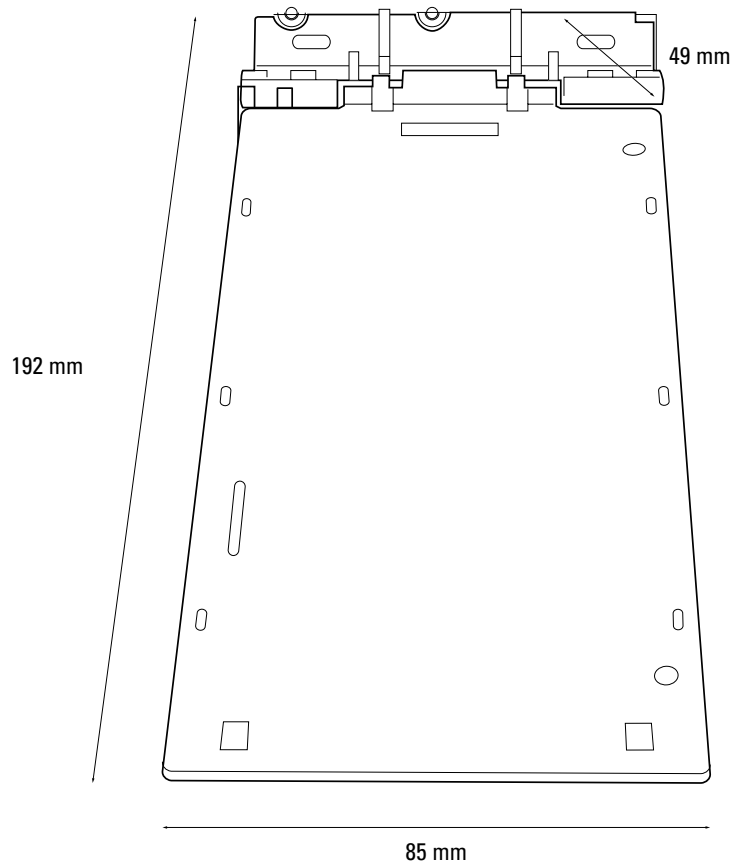


Powering Business Worldwide

Scantronic product data sheet

Product specification

| | |
|--------------------|-----------------------|
| Product code | MISC-SHFPK5 |
| Enclosure material | Plastic |
| Enclosure colour | White |
| Dimensions | 192 x 85 x 49mm LxWxD |



Compare product compatibility with our easy to read chart: www.eaton.com/security-works-with

Eaton
Electrical Sector
EMEA Route de la Longeraie 7
1110 Morges, Switzerland

Eaton Electrical Products Ltd
Security House,
Vantage Point Business Village,
Mitcheldean, Gloucestershire
GL17 0SX

Tel: +44 (0)1594 545 400
Email: securitysales@eaton.com
Web: www.myscantronic.com

Eaton is a registered trademark of Eaton Corporation.

All other trademarks are property of their respective owners.

Eaton
Electrical Sector EMEA
Route de la Longeraie 7
1110 Morges, Switzerland

Eaton
Security House
Vantage Point Business Village
Mitcheldean
Gloucester
GL17 0SZ

Tel: +44 (0)1594 541 997
Fax: +44 (0)1594 545 401
Email: securitysales@eaton.com
Web: www.touchpoint-online.com



Powering Business Worldwide

© 2019 Eaton
All Rights Reserved

www.uk.eaton.com