

## STANDARD BASES



**YBN-R/6**



**YBN-R/6SK**



**YBO-R/6PA**

The CDX Range of Conventional Bases consists of a Standard, a Schottky and a 2-Wire model. All bases are compatible with Hochiki's latest Smoke and Heat Detectors:

Model **YBN-R/6** is a Conventional Standard mounting base. The integrated third terminal provides remote indicator output. (Note: The base does not provide line continuity during detector removal, therefore if Call Points are being used then these should be wired onto the zone first).

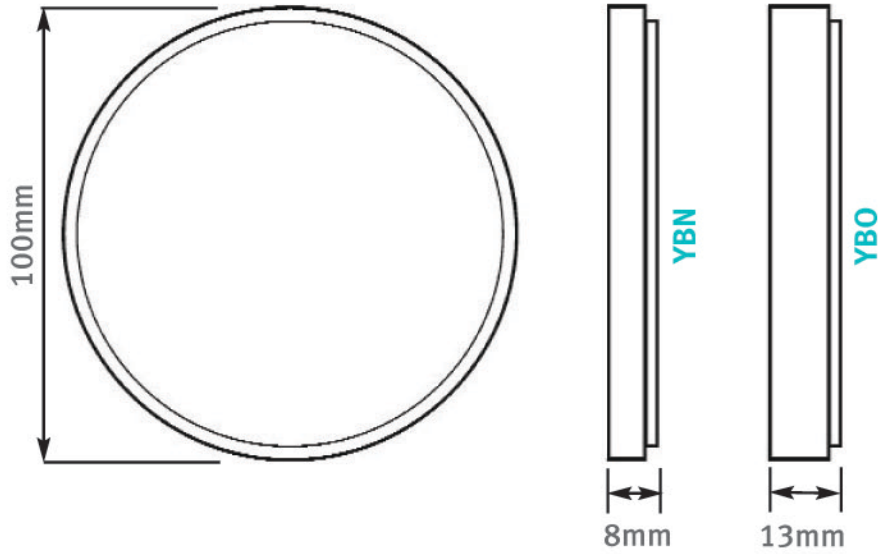
Model **YBN-R/6SK** features an in-line Schottky Diode, providing line continuity during detector removal (Call Points can be wired in any order on the zone providing a suitable panel and End Of Line (EOL) unit is used). The integrated third terminal provides remote indicator output.

Model **YBO-R/6PA** has been developed for use on 2-Wire Systems where detectors and sounders are on same zone cables (ensure Control Panel and Sounder compatibility).

- ▶ All Bases Zone-powered
- ▶ Wide voltage range 9.5 ~ 30Vdc (YBN-R/6)



## DIMENSIONS



## WIRING

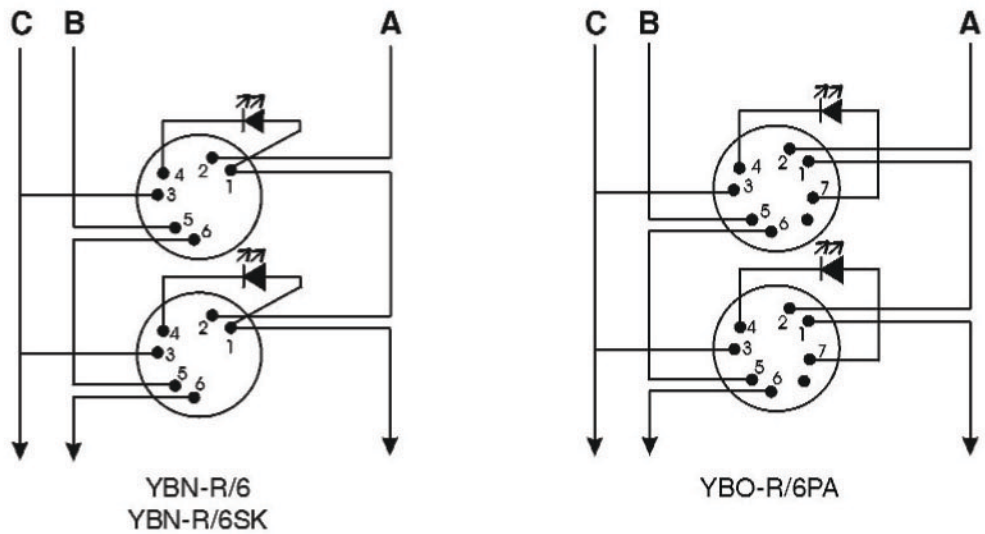
KEY:

A Zone Wiring +ve

B Zone Wiring -ve

C Cable Screen

 Remote Indicator



## SPECIFICATIONS

Ordering Codes	YBN-R/6	YBN-R/6SK	YBO-R/6PA
Operating Voltage	9.5 - 30Vd.c.	15 - 30Vd.c.	15 - 30Vd.c.
Operating Temperature Range		-10°C to + 50°C	
Storage Temperature Range		-30°C to + 70°C	
Maximum Humidity		95%RH - Non Condensing (at 40°C)	
Colour / Material		Ivory White / ABS	
Weight (g)	51	52	80
Fixing Centres (mm)		48 ~ 74	
Maximum Wire Thickness		2.5mm <sup>2</sup> Cables	