



Optical Detectors

Multisensor Detectors

Ionisation Detectors

Heat Detectors

Carbon Monoxide Detectors

Manual Call Points

Sounder Visual Indicators



2

DISCOVERY

Discovery® is a range of high-specification, analogue addressable fire detectors and alarm devices. Discovery detectors offer effective false alarm management by a combination of EN 54 approved operating modes and sophisticated algorithms.

Drift compensation further reduces the likelihood of false alarms caused by a build-up of dust in the sensing chamber.

In addition to the familiar smoke and heat detectors, the Discovery range features two multisensor detectors. One is an optical/heat multisensor which can be used to protect against many types of fire risk. The other is a carbon monoxide/heat multisensor which protects against both smouldering fires and those generating heat.

Key features

- Five approved response modes for ease of optimisation to different environments
- Rejection of transient signals
- Drift compensation to ensure constant sensitivity
- 360° visibility in alarm
- Flashing LED option
- Alarm flag for fast alarm reporting
- Four bytes of non-volatile memory for user data
- Compatible with XP95® & CoreProtocol™ systems

DISCOVERY TABLE OF CONTENTS

Communications Protocols	4
Discovery Features – Smoke and Heat Detectors	5
Discovery Features – Smoke Detectors	7
Optical Smoke Detector	8
Technical data	9
Optical/Heat Multisensor Detector	10
Technical data	11
Ionisation Smoke Detector	12
Technical data	13
Heat Detector	14
Technical data	15
Carbon Monoxide Detector	16
Technical data	18
CO/Heat Multisensor Detector	19
Technical data	20
Addressable XPERT 7 Base	21
Manual Call Point	22
Technical data	22
Waterproof Manual Call Point	23
Technical data	23
Interfaces	24
Isolators	25
Minidisc Remote Indicator	25
Category O. Sounder VAD Base with Isolator	26
Technical data	26
Sounder Base with Isolater	27
Technical data	27
Open-Area Sounder Visual Indicator	28
Technical data	28
Open-Area Voice Alarm Devices	29
Technical data	29
Application of Discovery Detectors	30

COMMUNICATIONS PROTOCOLS



Discovery uses a digital communications protocol which has been developed from the XP95 protocol but differs in that it allows communication in three different modes: (Normal, Read and Write) to allow a more extensive exchange of information and commands than previous analogue addressable ranges. In addition, Discovery can store data in non-volatile memory.

The Normal mode is identical to the XP95 protocol with the exception that the five additional analogue value bits in the XP95 protocol extension have been re-defined so that the fire control panel is able to distinguish between Discovery and XP95 devices.

The Read mode is used to check information stored in the non-volatile memory of each detector. It is accessed by using a simple extension to the Normal mode communication method from the fire control panel to the detector.

In Write mode the fire control panel is able to write information to the detector by extending the communication method in the same way as in Read mode.

During Read or Write modes a detector can signal an alarm by means of the alarm flag and alarm address bits.

Discovery detectors are compatible with XP95 and Soteria. It should be noted, however, that Discovery features will not be available when Discovery is used with XP95 fire control panels. Fire control panels with drift compensation algorithms should disable the algorithms when communicating with Discovery.

For fire control panels running CoreProtocol, please refer to the fire control panel manufacturer's operating instructions.





DISCOVERY FEATURES – SMOKE AND HEAT DETECTORS

Response setting

Each detector in the Discovery range can operate in one of five response modes, any of which can be selected from the fire control panel. Each mode corresponds to a unique response behaviour, which can be broadly related to sensitivity to fire. Whatever the type of detector, Mode 1 will give a higher sensitivity to fire than Mode 5. The selection of the most suitable mode depends on the application. Guidance on detector and mode selection is given on pages 30-31.

For ionisation and optical smoke detectors, the modes relate to different combinations of smoke response threshold and response time. For the heat detector, the mode relates to the fixed temperature setting and the sensitivity to rate-of-rise of temperature. For the optical/heat multisensor, the mode relates to the levels of smoke and heat sensitivity and to the way in which the responses of the two sensors are combined, although one mode is a 'smoke only' response and another is a 'heat only' response.

For the CO/Heat Multisensor the two outputs are also combined to provide one output, although one operating mode is CO only and one is heat only.

The response characteristics of the detectors have been carefully set so that detectors will comply with the requirements of the relevant part of EN 54 in all response modes. The mathematical algorithms embedded in the detectors are used to carry out changes in characteristics between modes. Since the response characteristics are defined within the detectors, Apollo takes responsibility for compliance with standards in different response modes.

The internal signal processing of the detectors is designed so that the analogue value reported is always close to 25 for a normal condition. The alarm threshold is 55, irrespective of the response mode selected. Similarly, the alarm flag in the protocol is always set when the analogue value exceeds 55, irrespective of mode. This simplifies the switching between response modes since the alarm threshold in the fire control panel can remain fixed at 55 and the alarm flag is valid in all modes.

The response mode, which is selected through the protocol, is stored in non-volatile memory and will therefore be retained when the detector is powered down. All Discovery detectors are factory set to mode 3 before shipping.

Response modes are defined more fully in the individual detector descriptions. It is, however, possible for the fire control panel to read the smoke and heat values separately of the optical/heat multisensor detector and the CO and heat values of the CO/Heat Multisensor. The feature is fire control panel dependent and the fire control panel manufacturer should be contacted for further details.

User bytes and other stored data

All Discovery devices contain non-volatile memory, in the form of Electrically Erasable Programmable Read Only Memory (EEPROM), which is included primarily to store data needed for the correct operation of the device. However, four bytes of this EEPROM are available to the user and can be accessed by the fire control panel through the protocol. This block of non-volatile memory can be used, for example, to store the installation date, the site code or date of last service. The only restriction on use is that the maximum number of write cycles should not exceed 10,000 over the life of the device.

Flashing LED

All Discovery detectors have two integral LED indicators, which can be illuminated at any time by the fire control panel to indicate devices in alarm. When activated, the LEDs will draw an extra 3.5mA from the loop. In addition to this mode of operation it is possible to enable a flashing LED mode by writing to one of the memory locations. In this mode the LEDs will flash each time the device is polled.

This facility is available on all Discovery detectors and the manual call point. Discovery detectors and call points are factory set to non-flashing mode.

Remote test feature

This feature, available on all Discovery detectors and the call points, is enabled from the fire control panel by changing the state of a forward command bit. On receipt of the command the detector is forced by electrical means into an alarm condition. After a delay of up to 20 seconds due to signal processing, an analogue value of 85 is returned, provided that the detector is functioning correctly. This value is sustained until the forward command bit is changed back to its original state, after which a period of 20 seconds is required for the detector to return to its normal analogue value.

The manual call point is different in that the receipt of the command bit will cause the call point to generate the interrupt sequence, followed by a sustained analogue value of 64. The call point resets when the forward command bit is changed back to its original state.

Rejection of transient signals

All Discovery detector algorithms are designed to give low sensitivity to very rapid changes in the sensor output, since these are unlikely to be caused by real fire conditions. This is achieved by digital low-pass filtering of the sensor values which optimises the rejection of false alarm sources while maintaining the response to fire.

The filter parameters depend on the mode selected and for some modes the filtering is minimal. The filtering has no significant effect on the response to fires but does affect the way in which detectors respond to transients and to step changes of smoke or heat. This is seen in the “minimum time to alarm” given in individual detector specifications. These times represent the time taken by the detector to reach the alarm condition when responding to a large step change in input.

Interchangeability

Any Discovery detector may be replaced by any other type in the range. For example, if a smoke detector proved unsuitable in a particular application, it could be simply replaced with a heat detector set to the appropriate mode, provided that the maximum floor area coverage does not exceed that specified by BS 5839-1 or other local code.

Discovery detectors can also be used to replace XP95 detectors and again, it is possible to change types, e.g. smoke for heat or vice versa. Factory-new Discovery detectors are set to mid range, equivalent to XP95, and the flashing LED feature is disabled.

Notes

1. *The fire control panel must not have a drift compensation algorithm activated when interrogating Discovery detectors.*
2. *Some XP95 fire control panels may not be compatible with all Discovery devices. Contact the fire control panel manufacturer for advice.*
3. *When replacing an XP95 detector with a Discovery detector ensure the fire control panel configuration is modified accordingly.*
4. *When replacing smoke detectors for heat detectors or vice versa ensure the fire control panel configuration is modified accordingly.*

Servicing Note

The “minimum time to alarm” referred to above is important when detectors are tested in situ, for example using aerosol test gas. A delay in response may be apparent.

Warning: all detectors are supplied with a red cover to protect against dust. The covers should be left in place until commissioning of the system when they should be removed. If, however, further building work is anticipated after commissioning, the covers should be replaced and alternative fire protection arrangements made. **When the system is handed over all covers should be removed.**



DISCOVERY FEATURES – SMOKE DETECTORS

Drift compensation

All Discovery smoke detectors include compensation for sensor drift as part of the internal signal-processing algorithm (Fig. 1). The algorithm will compensate for changes in sensor output caused, for example, by dust in the chamber, and will therefore hold the sensitivity at a constant level even with severe chamber contamination. This increased stability is achieved without significantly affecting the detector's sensitivity to fire.

The compensation level is stored in the detector's memory as a single value between 0 and 31. The normal level, that is with no compensation applied, is 16. Values above or below this indicate drift towards alarm or away from alarm respectively.

For compensation values in the range 4 to 30 the detector is working within its allowable range. A value which is less than 4 or greater than 30 results in a warning flag. A value of zero results in a fault signal.

The maximum compensation that can be applied is 31. If further drift occurs, the analogue values will simply track the drift and the detector will become more sensitive.

Compensation values are stored in non-volatile memory and will be retained even if detectors are disconnected. With few exceptions, it is possible to use the control panel to ascertain the level of compensation applied at any time.

For the Discovery smoke detectors, the compensation algorithms are designed such that the detectors meet the requirements of the European standard EN 54-7 in all response modes.

It is possible, through the protocol, to carry out a normalisation procedure which rapidly "updates" the drift compensation. This facility should only be used after a compensated detector has been cleaned and instant confirmation is required. Otherwise the detector will automatically update itself within 24 hours.

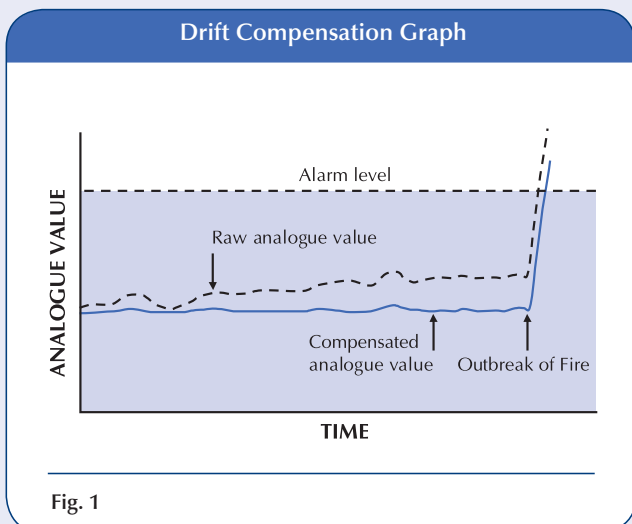


Fig. 1



**DISCOVERY
OPTICAL
SMOKE
DETECTOR**

Part Number 58000-600

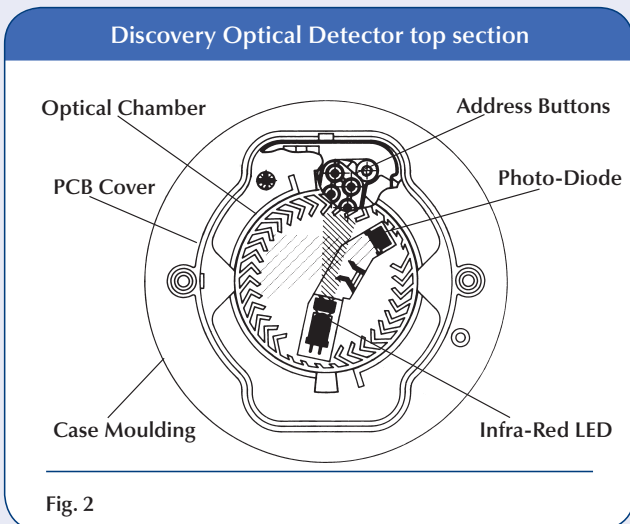
8

The Discovery Optical Detector has a white moulded polycarbonate case with wind-resistant smoke inlets. The indicator LEDs are colourless when the detector is in quiescent state and red in alarm. Within the case is a printed circuit board which, on one side, has the light-proof chamber with integral gauze surrounding the optical measuring system and, on the other, the signal processing and communications electronics.

An infra-red light emitting diode within its collimator is arranged at an obtuse angle to the photo-diode. The photo-diode has an integral daylight-blocking filter (Fig. 2).

The IR LED emits a burst of collimated light every second. In clear air the photo-diode receives no light directly from the IR LED, because of the angular arrangement and the chamber baffles. When smoke enters the chamber it scatters light from the emitter IR LED onto the photo-diode in an amount related to the smoke characteristics and density. The photo-diode signal is processed to provide an analogue value for transmission when the detector is interrogated.

The Discovery Optical Detector Operating modes as shown in Table 1 comply with European Standard EN 54-7. The mode of operation for this detector is selected at the fire control panel.



Discovery Optical Detector operating modes

Mode	Alarm Threshold (%/m)	dB/m	Minimum Time to Alarm (seconds)
1	1.4	0.06	5
2	1.4	0.06	30
3	2.1	0.09	5
4	2.1	0.09	30
5	2.4	0.11	5

Compensation rate complies with EN 54-7

Table 1

TECHNICAL DATA

Discovery Optical Smoke Detector

Part No. 58000-600

Specifications are typical at 24V, 23°C and 50% relative humidity unless otherwise stated.

Detection principle:	Photo-electric detection of light scattered in a forward direction by smoke particles	
Chamber configuration:	Horizontal optical bench housing infra-red emitter and sensor, arranged radially to detect forward scattered light	
Sensor:	Silicon PIN photo-diode	
Emitter:	GaAlAs infra-red light emitting diode	
Sampling frequency:	1 per second	
Supply wiring:	Two-wire supply, polarity insensitive	
Terminal functions:	L1 & L2	supply in and out connections
	+R	remote indicator positive connection (internal 2.2kΩ resistance to positive)
	-R	remote indicator negative connection (internal 2.2kΩ resistance to negative)
Operating voltage:	17–28V DC	
Communication protocol:	Discovery, XP95 & CoreProtocol compatible 5-9V peak to peak	
Quiescent current:	440µA	
Power-up surge current:	1mA	
Maximum power-up time:	10s	
Alarm current, LED illuminated:	3.4mA	
Remote output characteristics:	Connects to positive line through 4.5kΩ (5mA maximum)	
Clean-air analogue value:	23 +4/-0	
Alarm level analogue value:	55	
Alarm indicator:	2 colourless Light Emitting Diodes (LEDs); illuminating red in alarm. Optional remote LED	
Temperature range:	-40°C to 70°C	
Humidity:	0% to 95% RH (no condensation or icing)	
Effect of atmospheric pressure:	None	
Effect of wind:	None	
Vibration, impact & shock:	EN 54-7	
Designed to IP Rating:	IP44 in accordance with BS EN 60529	
Standards & approvals:	EN 54-7, CPD, LPCB, VdS, AFNOR, BOSEC, FG, SBSC, SIL & VNIIPPO For more information see page 31 or www.apollo-fire.co.uk	
Dimensions:	100mm diameter x 42mm height (50mm height with XPERT 7 Mounting Base)	
Weight:	Detector	105g
	Detector with XPERT 7 Mounting Base	160g
Materials:	Housing	White polycarbonate UL94-V0
	Terminals	Nickel plated stainless steel



**DISCOVERY
OPTICAL/HEAT
MULTISENSOR
DETECTOR**

Part Number 58000-700

The Discovery Multisensor construction is similar to that of the optical detector but uses a different lid and optical mouldings to accommodate the thermistor (heat sensor). The sectional view (Fig. 3) shows the arrangement of the optical chamber and the thermistor.

The Discovery Optical/Heat Multisensor Detector contains an optical smoke sensor and a thermistor temperature sensor whose outputs are combined to give the final analogue value. The way in which the signals from the two sensors are combined depends on the response mode selected. The five modes provide response behaviour which incorporates pure heat detection, pure smoke detection and a combination of both. The multisensor is therefore useful over the widest range of applications.

The signals from the optical smoke sensing element and the temperature sensor are independent, and represent the smoke level and the air temperature respectively in the vicinity of the detector. The detector's micro-controller processes the two signals according to the mode selected (see Table 2). When the detector is operating as a multisensor (i.e. modes 1, 3 and 4) the temperature signal processing extracts only rate-of-rise information for combination with the optical signal. In these modes the detector will not respond to a slow temperature increase – even if the temperature reaches a high level. A large sudden change in temperature can, however, cause an alarm without the presence of smoke, if sustained for 20 seconds.

Additional heat sensor information

Discovery Optical/Heat Multisensor Detectors allow access to unprocessed temperature information (see note 1). The raw temperature data can be used in conjunction with the analogue value to enhance alarm signal processing and provide an additional level of safety.

The exact method of polling to make use of this feature is described in a technical document available to panel partners.

Discovery Multisensor Detector sectional view

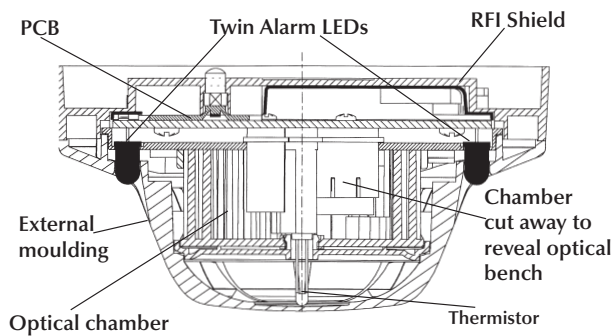


Fig. 3

Discovery Multisensor Detector operating modes

Mode	Sensitivity to Grey Smoke (%/m) (dB/m)	Temperature Sensitivity	Response Type	Minimum Time to Alarm (seconds)
1	1.1 0.05	>15°C increase	Multisensor	20
2	2.1 0.09	Not set to heat response	Optical	30
3	2.8 0.12	>21°C increase	Multisensor	20
4	4.2 0.19	>15°C increase	Multisensor	20
5	No response to smoke	See mode 5 opposite	Heat A1R	15

Table 2

The processing algorithms in modes 1 to 4 incorporate drift compensation.

With reference to Table 2 the characteristics of the five response modes are summarised below.

Mode 1 has very high smoke sensitivity combined with high heat sensitivity. This gives a high overall sensitivity to both smouldering and flaming fires.

Mode 2 has a smoke sensitivity similar to that of a normal optical smoke detector. This mode is therefore equivalent to a standard optical detector. It is suitable for applications in which wide temperature changes occur under normal conditions.

Mode 3 has moderate smoke sensitivity combined with a moderate sensitivity to heat. This combination is considered the optimum for most general applications since it offers good response to both smouldering and flaming fires.

Mode 4 has lower than normal smoke sensitivity combined with high heat sensitivity. This makes it suitable for applications in which a certain amount of fumes or smoke is considered normal.

Mode 5 has no smoke sensitivity at all, but gives a pure heat detector response meeting the response time requirements for a Class A1R detector in the European standard EN 54-5. In this mode the detector will respond to slowly changing temperatures and has a "fixed temperature" alarm threshold at 58°C. The analogue value in this mode will give the approximate air temperature over the range 15°C to 55°C.

In mode 5, the smoke sensor is still active though it does not contribute to the analogue signal. As a consequence, if the detector is used in a dirty or smoky environment the optical sensor drift flag may be activated in the heat-only mode.

Notes

1. This applies only to fire control panels which have been programmed to read the additional information.
2. In situ testing of the Multisensor detector should be carried out as for smoke detectors in response mode 2 and for heat detectors in response mode 5. Both optical and heat sensors must be tested in modes 1,3 and 4.
3. If the Multisensor is to be used in mode 5, heat detector spacing/ coverage should be applied.

TECHNICAL DATA

Discovery Multisensor Detector

Part No. 58000-700

Specifications are typical at 24V, 23°C and 50% relative humidity unless otherwise stated.

Detector principle:	Smoke: Photo-electric detection of light scattered by smoke particles Heat: Temperature-dependent resistance
Supply wiring:	Two-wire supply, polarity insensitive
Terminal functions:	L1 & L2 supply in and out connections +R remote indicator positive connection (internal 2.2kΩ resistance to positive) -R remote indicator negative connection (internal 2.2kΩ resistance to negative)
Operating voltage:	17–28V DC
Communication protocol:	Discovery, XP95 & CoreProtocol compatible 5-9V peak to peak
Quiescent current:	470µA
Power-up surge current:	1mA
Maximum power-up time:	10s
Alarm current, LED illuminated:	3.5mA
Remote output characteristics:	Connects to positive line through 4.5kΩ (5mA maximum)
Clean-air analogue value:	23 +4/-0
Alarm level analogue value:	55
Alarm indicator:	2 colourless Light Emitting Diodes (LEDs); illuminated red in alarm. Optional remote LED
Temperature range:	-40°C to 70°C
Humidity:	0% to 95% RH (no condensation or icing)
Effect of temperature on Optical Sensor:	None
Effect of wind on optical sensor:	None
Vibration, impact & shock:	EN 54-5 & EN 54-7
Designed to IP Rating:	IP44 in accordance with BS EN 60529
Standards & approvals:	EN 54-5, EN 54-7, CPD, LPCB, VdS, BOSEC, FG, SBSC, SIL & VNIPO For more information see page 31 or www.apollo-fire.co.uk
Dimensions:	100mm diameter x 50mm height (58mm height with XPERT 7 Mounting Base)
Weight:	Detector 105g Detector with XPERT 7 Mounting Base 160g
Materials:	Housing White polycarbonate UL94-V0 Terminals Nickel plated stainless steel
Smoke element only:	
Chamber configuration:	Horizontal optical bench housing infra-red emitter and sensor, arranged radially to detect forward scattered light
Sensor:	Silicon PIN photo-diode
Emitter:	GaAIAs infra-red light emitting diode
Sampling frequency:	1 per second



**DISCOVERY
IONISATION
SMOKE
DETECTOR**

Part Number 58000-500

The Discovery Ionisation Detector uses the same outer case as the optical smoke detector and is distinguished by the red indicator LEDs. Inside the case is a printed circuit board which has the ionisation chamber mounted on one side and the signal processing and communications electronics on the other.

The ionisation chamber consists of a reference chamber contained inside a smoke chamber (Fig. 4). The outer smoke chamber has inlet apertures fitted with insect resistant mesh.

At the junction between reference and smoke chambers, the sensing electrode converts variations in chamber current into voltage changes.

When smoke particles enter the ionisation chamber, ions become attached to

them with the result that the current flowing through the chamber decreases. This effect is greater in the smoke chamber than in the reference chamber, and the imbalance causes the sensing electrode to become more positive.

The analogue voltage at the sensor electrode is converted to a digital format which is processed to provide an analogue value for transmission to the fire control panel when the device is polled.

The Discovery Ionisation Detector, like all ionisation detectors, has some sensitivity to air movement (wind). The extent to which the analogue value will change depends on the wind speed and on the orientation of the detector relative to the wind direction. Relatively small changes in wind direction can cause significant changes in analogue value.

For wind speeds up to 1m/s the change in analogue value will not exceed 5 counts. Continuous operation in wind speeds greater than 2m/s is not recommended. However, wind speeds up to 10m/s can be tolerated for short periods and will not under any conditions increase the probability of false alarms.

Ionisation smoke detectors are supplied in individual packing with a red lid serving as a dust cover which can be left in place after fitting to prevent ingress of dust and dirt until commissioning of the system takes place. At this point the covers must be removed.

The Discovery Ionisation Detector operating modes as shown in Table 3, comply with European Standard EN 54-7. The mode of operation for this detector is selected at the fire control panel.

Discovery Ionisation Detector sectional view

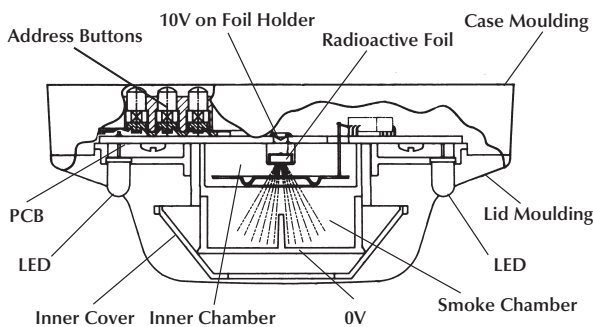


Fig. 4

Discovery Ionisation Detector operating modes

Mode	Alarm Threshold y Value	Minimum Time to Alarm (seconds)
1	0.45	5
2	0.45	30
3	0.70	5
4	0.70	30
5	1.0	5

Compensation rate complies with EN 54-7

Table 3

Safety note

In the United Kingdom, ionisation smoke detectors are subject to the requirements of the Environmental Permitting Regulations 2010 and to the Ionising Radiations Regulations 1999 made under the provisions of the Health and Safety at Work Act 1974.

The detectors, independently tested by the Health Protection Agency (HPA), conform to all the requirements specified in the 'Recommendations for ionisation smoke detectors in implementation of radiation standards' published by the Nuclear Energy Agency of the Organisation for Economic Co-operation and Development (OECD) 1977.

There is no limit to the number of ionisation smoke detectors which may be installed in any fire protection system.

Storage regulations depend on local standards and legislation, but, in the UK, up to 500 detectors may be stored in any premises, although there are stipulations on storage facilities if more than 100 ionisation detectors are stored in one building.

At the end of their recommended working life of ten years, ionisation smoke detectors should be returned to Apollo for safe disposal.

Guidance on storage and handling can be given by Apollo Fire Detectors and full details can be requested from:

UK Environment Agency
Old Crest House
Alice Holt Lodge
Farnham
Surrey
GU10 4LH

Outside the UK, please contact the relevant national agency.

TECHNICAL DATA

Discovery Ionisation Smoke Detector

Part No. 58000-500

Specifications are typical at 24V, 23°C and 50% relative humidity unless otherwise stated.

Detection principle:	Ionisation chamber	
Chamber configuration:	Twin compensating chambers using one single sided ionising radiation source	
Radioactive isotope:	Americium 241	
Activity:	33.3 kBq, 0.9µCi	
Supply wiring:	Two-wire supply, polarity insensitive	
Terminal functions:	L1 & L2 supply in and out connections	
	+R	remote indicator positive connection (internal 2.2kΩ resistance to positive)
	-R	remote indicator negative connection (internal 2.2kΩ resistance to negative)
Operating voltage:	17–28V DC	
Communication protocol:	Discovery, XP95 & CoreProtocol compatible 5-9V peak to peak	
Quiescent current:	380µA	
Power-up surge current:	1mA	
Maximum power-up time:	10s	
Alarm current, LED illuminated:	3.4mA	
Remote output characteristics:	Connects to positive line through 4.5kΩ (5mA maximum)	
Clean-air analogue value:	23 +4/-0	
Alarm level analogue value:	55	
Alarm indicator:	2 red Light Emitting Diodes (LEDs). Optional remote LED	
Temperature range:	-30°C to 70°C	
Humidity:	0% to 95% RH (no condensation or icing)	
Effect of temperature:	Less than 10% change in sensitivity over rated range	
Atmospheric pressure:	Operating: Suitable for installation up to 2,000m above sea level.	
Effect of wind:	Less than 20% change in sensitivity at speeds up to 10m/s. Note: slow changes in ambient conditions will automatically be compensated and will not affect sensitivity	
Vibration, impact & shock:	EN 54-7	
Designed to IP Rating:	IP44 in accordance with BS EN 60529	
Standards & approvals:	EN 54-7, CPD, LPCB, VdS, BOSEC, FG, SBSC & SIL For more information see page 31 or www.apollo-fire.co.uk	
Dimensions:	100mm diameter x 42mm height (50mm height with XPERT 7 Mounting Base)	
Weight:	Detector	105g
	Detector with XPERT 7 Mounting Base	160g
Materials:	Housing	White polycarbonate UL94-V0
	Terminals	Nickel plated stainless steel



**DISCOVERY
HEAT
DETECTOR**

Part Number 58000-400

14

Discovery heat detectors have a common profile with ionisation and optical smoke detectors but have a low air flow resistance case made of self-extinguishing white polycarbonate.

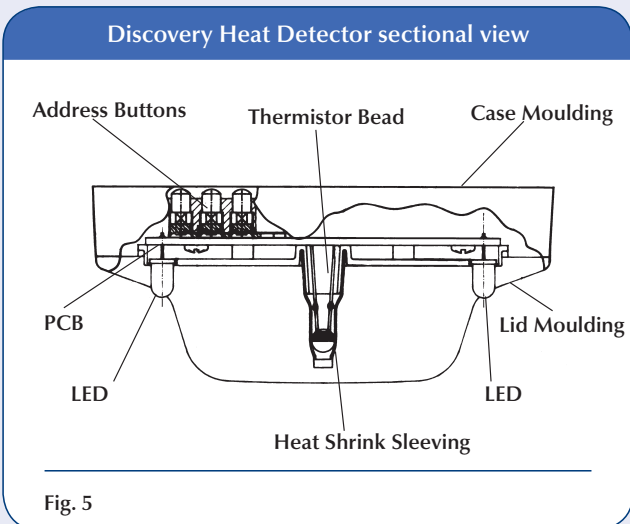
The Discovery Heat Detector (Fig. 5) uses a single thermistor to sense the air temperature at the detector position. The thermistor is connected in a resistor network, which produces a voltage output dependent on temperature. The design of the resistor network, together with the processing algorithm in the microcontroller, gives an approximately linear characteristic from 10°C to 80°C. This linearised signal is further processed, depending on the response mode selected, and converted to an analogue output.

For the European standard version of the detector, the five modes correspond to five “classes” as defined in EN 54-5. The classes in this standard correspond with different response behaviour, each of which is designed to be suitable for a range of application temperatures. All modes incorporate “fixed temperature” response, which is defined in the standard by the “static response temperature”. The application temperatures and static response temperatures for all response modes are given in Table 4.

In addition to the basic classification, a detector may be given an “R” or “S” suffix. The “R” suffix indicates that the detector has been shown to have a rate-of-rise characteristic. Such a

detector will still give a rapid response even when starting from an ambient temperature well below its typical application temperature. This type of detector is therefore suitable for areas such as unheated warehouses in which the ambient temperature may be very low for long periods.

The “S” suffix on the other hand indicates that the detector will not respond below its minimum static response temperature even when exposed to high rates of rise of air temperature. This type is therefore suitable for areas such as kitchens and boiler rooms where large, rapid temperature changes are considered normal.



Discovery Heat Detector response modes

Mode	Class EN 54-5	Application Temperature		Static Response Temperature		
		Typical	Max	Min	Typ	Max
1	A1R	25°C	50°C	54°C	57°C	65°C
2	A2R	25°C	50°C	54°C	61°C	70°C
3	A2S	25°C	50°C	54°C	61°C	70°C
4	CR	55°C	80°C	84°C	90°C	100°C
5	CS	55°C	80°C	84°C	90°C	100°C

For air temperatures in the range 15°C to 55°C, the analogue value for a detector in mode 1 will correspond approximately to the air temperature.

Table 4

TECHNICAL DATA

Discovery Heat Detector

Part No. 58000-400

Specifications are typical at 24V, 23°C and 50% relative humidity unless otherwise stated.

Detector principle:	Heat sensitive resistance	
Supply wiring:	Two-wire supply, polarity insensitive	
Terminal functions:	L1 & L2 supply in and out connections	
	+R	remote indicator positive connection (internal 2.2kΩ resistance to positive)
	-R	remote indicator negative connection (internal 2.2kΩ resistance to negative)
Operating voltage:	17–28V DC	
Communication protocol:	Discovery, XP95 & CoreProtocol compatible 5-9V peak to peak	
Quiescent current:	350µA	
Power-up surge current:	1mA	
Maximum power-up time:	10s	
Alarm current, LED illuminated:	3.4mA	
Remote output characteristics:	Connects to positive line through 4.5kΩ (5mA maximum)	
Alarm level analogue value:	55	
Alarm indicator:	2 red Light Emitting Diodes (LEDs). Optional remote LED	
Temperature range:	Minimum operating temperature	-40°C
	Maximum operating temperature	see Table 4
	Storage	-40°C to 80°C
Humidity:	0% to 95% RH (no condensation or icing)	
Vibration, impact & shock:	EN 54-5	
Designed to IP Rating:	IP54 in accordance with BS EN 60529	
Standards & approvals:	EN 54-5, CPD, LPCB, VdS, AFNOR, BOSEC, FG, SBSC, SIL & VNIPO For more information see page 31 or www.apollo-fire.co.uk	
Dimensions:	100mm diameter x 42mm height (50mm height with XPERT 7 Mounting Base)	
Weight:	Detector	105g
	Detector with XPERT 7 Mounting Base	160g
Materials:	Housing	White polycarbonate UL94-V0
	Terminals	Nickel plated stainless steel



DISCOVERY CARBON MONOXIDE DETECTOR

Part Number 58000-300

Discovery CO fire detectors contain a long-life electro-chemical carbon monoxide sensor which is tolerant of low levels of common vapours and household products. The sensing technology is fast, accurate and needs only very low power. The detection capabilities are enhanced by a rate-sensitive response. Fast rises in the carbon monoxide level are often associated with hot fires and the detector will respond earlier under these conditions. The analogue reply from the detector is rate limited to remove nuisance alarms resulting from short-term high levels caused by sources such as pipe smokers or gas flame ignition.

Application

CO detectors do not detect smoke particles or heat and are not universal replacements for smoke detectors.

Apollo does not endorse the use of CO detectors as the main method of fire detection if:

- the protected area is an escape route
- there is a requirement to detect overheating of electrical equipment or cables
- the protected area is exposed to sources of CO such as vehicle exhausts, or to hydrogen or to high levels of alcohol vapour as emitted by some cleaning agents
- there is a requirement to detect fires involving flammable liquids

CO fire detectors are particularly suitable for supplementing smoke detection when there is:

- a deep seated smouldering fire risk
- a risk of fire starting in an enclosed space
- a likelihood of stratification taking place

Carbon monoxide detectors may be used as the primary fire detector in areas where the following conditions exist:

- the main risk is smouldering fires
- optical smoke detectors are deemed unsuitable (see 'FALSE ALARMS' below)
- the fire compartment is not greater than 50m²

Typical applications include hotel bedrooms, halls of residence, sheltered accommodation and hospital wards.

Detector siting

CO fire detectors should be sited using the recommendations from BS 5839-1 (or other applicable code).

In the development of a fire, smoke and CO in the smoke plume is spread by convection to a fire detector. As CO is a gas, it further spreads—like smells—by diffusion. For this reason CO may reach a detector faster than smoke would. This potential advantage can be exploited when designing a fire protection system and CO detectors may be used for supplementary

detection. Equally, the opposite effect might occur, with CO moving away from a detector.

The behaviour of CO is therefore unpredictable and diffusion should not be relied on when designing a fire protection system.

False alarms

Carbon monoxide detectors are less susceptible than smoke detectors to false alarms from sources such as toast, steam, cooking, plumbing work and hair spray. They may therefore be used in **some** applications in which smoke detectors would be susceptible to unwanted alarms.

Conversely, they may be more susceptible than smoke detectors to false alarms from fumes containing CO, such as vehicle exhausts, open fires and gas appliances.

Notes:

1. *Discovery CO detectors should not be used with isolating base 45681-321. Use 45681-284.*
2. *It is necessary to wait 30s after power-up to receive valid data from the CO detector.*

Limitations

Carbon monoxide detectors also have important limitations. They are set to a higher sensitivity than the maximum allowed by the domestic CO alarm standard and will respond to CO from faulty gas appliances or vehicle exhausts. *These detectors should not be used in place of carbon monoxide alarms complying with BS 7860 or UL 2034.*

Operating modes

The Discovery CO detector has five operating modes, each having a set combination of sensitivity and response delay, which the user can select for any given application. See Table 5 below.

Drift compensation

In view of the inherent stability of CO cells, there is no need for Discovery CO detectors to compensate for drift. Discovery CO detectors are set to report a drift value of 16.

Cell test

The Discovery carbon monoxide fire detector has a remote test feature, which is used to verify that the electrochemical cell is fitted and that it is active. A test must be carried out at least once a year but preferably more frequently to ensure that the cell has not dried out. (Note that the cell will not be affected by the test, even if the remote test is carried out once a day.)

If the test indicates a sensor failure, i.e. the detector returns a pre-set analogue

value of 25, the detector should be sent to Apollo's Service Department for cell replacement and detector recalibration. When carrying out the cell test observe the 30s delay referred to above.

Precautions when investigating alarms

It is important to remember that CO is a colourless, odourless gas, which is not directly detectable by human senses. If a CO fire detector is in an alarm condition, it is possible that a dangerous level of CO exists around the detector. *Extreme care must be taken when investigating alarms from CO fire detectors even if no combustion products can be seen or smelled.*

Because of this danger, it is imperative that CO fire detectors are correctly identified at the fire control panel so that personnel investigating alarms may take the relevant precautions.

Maintenance and service

The electrochemical cell used in the Discovery CO fire detector has a more limited life than would normally be expected from a smoke detector. In a typical environment, the life of the cell is five years.

High temperature or low relative humidity can, however, reduce the life significantly. The limits given in the section 'TECHNICAL DATA' overleaf should be carefully observed.

It is essential that systems using CO fire detectors be correctly maintained and that the maintenance schedule include functional testing of the CO fire detectors.

CO fire detectors will not respond to the aerosol testers commonly used for the in-situ testing of smoke detectors. The Apollo (No Climb) detector tester with a CO test gas canister can be used to test CO detectors.

If there is any doubt over the sensitivity of a Discovery CO fire detector it should be returned to Apollo for servicing and calibration.

Health and safety guidelines

This product contains a sealed electrochemical cell and in normal usage represents no chemical hazard in the sense of COSHH and the Health and Safety at Work Act 1974. Chemical hazard can, however, arise if the following notes on storage, handling and disposal are not observed.

For maximum life, the product should be stored before installation in clean dry conditions between 0°C to 20°C. It should not be exposed to temperatures outside the range -40°C to 55°C or to organic vapours.

The electrochemical cell contained in this product is fitted into sockets on the printed circuit board; to avoid damage to the cell do not remove it.

The electrochemical cell contains sulphuric acid in a relatively concentrated state. In the event of leakage (which may be caused by mechanical damage or use outside the operating specification for the cell) the cell should be removed from the detector using protective gloves. Avoid contact with any liquid. If skin or eye contact with the electrolyte occurs, wash immediately with plenty of water and obtain medical advice. All traces of electrolyte should be washed away with copious amounts of clean water. The cell should be disposed of according to local waste management requirements and environmental legislation. It should not be burnt since it may release toxic fumes.

Discovery CO Detector relative performance in test fires

Mode	Alarm Threshold (ppm)*	Minimum Time to Alarm (seconds)	Typical Application
1	30	60	Sleeping with no ambient CO
2	45	30	General use fast response such as supplementary protection in atria
3	45	60	General use and sleeping risk with some low-level CO (such as from light smoking or an unventilated gas fire)
4	60	30	General smoking area and supplementary detection of deep seated fires such as laundry rooms
5	75	30	Supplementary use in kitchen or boiler room

*Includes compensation of the sensor
Mode 1-4 are designed to comply with prEN 54-30

Table 5

TECHNICAL DATA

Discovery Carbon Monoxide Detector

Part No. 58000-300

Specifications are typical at 24V, 23°C and 50% relative humidity unless otherwise stated.

Detector principle:	Ambient carbon monoxide level	
Supply wiring:	Two-wire supply, polarity sensitive	
Terminal functions:	L1 -ve & L2 +ve	supply in and out connections
	+R	remote indicator positive connection (internal 2.2kΩ resistance to positive)
	-R	remote indicator negative connection (internal 2.2kΩ resistance to negative)
Operating voltage:	17–28V DC	
Communication protocol:	Discovery, XP95 & CoreProtocol compatible 5-9V peak to peak	
Quiescent current:	500μA	
Power-up surge current:	1mA	
Maximum power-up time:	10s	
Alarm current, LED illuminated:	3.5mA	
Remote output characteristics:	Connects to positive line through 4.5kΩ (5mA maximum)	
Sampling frequency:	1 per second	
Clean-air analogue value:	25±2	
Alarm level analogue value:	55	
Alarm indicator:	2 red Light Emitting Diodes (LEDs); optional remote LED	
Storage temperature:	Continuous	10°C to 30°C
	Transient	-40°C to 55°C
Operating temperature:	Continuous	0°C to 50°C
	Transient	-20°C to 55°C
Transport pressure:	If air freighted this product should be placed in a pressurised hold	
Operating pressure:	Atmospheric pressure ±10%	
Humidity:	Continuous	15% to 90% RH
	Transient	0% to 99% RH (no condensation or icing)
Effect of temperature on CO cell:	Less than 15% change in sensitivity over rated range	
Effect of wind on CO cell:	None	
CO cell life:	5 Years (assumes regular checks are satisfactory)	
Designed to IP Rating:	IP54 in accordance with BS EN 60529	
Standards & approvals:	EMC & VNIPO For more information see page 31 or www.apollo-fire.co.uk	
Dimensions:	100mm diameter x 42mm height (50mm height with XPERT 7 Mounting Base)	
Weight:	Detector	105g
	Detector with XPERT 7 Mounting Base	160g
Materials:	Housing	White polycarbonate UL94-V0
	Terminals	Nickel plated stainless steel



DISCOVERY CO/HEAT MULTISENSOR DETECTOR

Part Number 58000-305

The Discovery CO/Heat Multisensor Detector contains a CO detection cell and a thermistor temperature sensor whose outputs are combined to give the final analogue value. The way in which the signals from the two sensors are combined depends on the response mode selected. The CO/Heat Multisensor detects the presence of carbon monoxide or heat or a combination of both.

The Multisensor construction is similar to that of a CO detector but uses a different lid in order to expose the thermistor to the surrounding air.

The signals from the CO sensing cell and the thermistor are independent and represent the amount of CO or the temperature present in the vicinity of the detector.

When the detector is used in heat only mode (Mode 5) it operates as an A1R rate-of-rise heat detector with a static threshold of 58°C.

Additional heat sensor information

Discovery CO/Heat Multisensor detectors incorporate additional temperature information that is intended for use in signal processing. This is done in the same way as for the Optical/Heat Multisensor Detector see page 10 for more information.

Characteristics of response modes

With reference to Table 6:

Mode 1 has very high sensitivity to carbon monoxide combined with moderate sensitivity to heat. This gives a high overall sensitivity to both smouldering and flaming fires.

Mode 2 is set to report the presence of carbon monoxide only.

Mode 3 has moderate sensitivity to carbon monoxide combined with moderate sensitivity to heat and is used for general applications.

Mode 4 has lower than normal carbon monoxide sensitivity combined with moderate heat sensitivity making it suitable to areas where a certain amount of carbon monoxide might be considered normal.

Mode 5 has no response at all to carbon monoxide and acts as a rate-of-rise heat detector.

Notes

1. If the Multisensor is to be used in mode 5 heat detector spacing & coverage should be applied. Observe the recommendations of BS 5839-1 or other applicable code.
2. The notes on carbon monoxide detectors on pages 16-17, particularly concerning application, limitations and precautions, should be read carefully.
3. In situ testing of the multisensor detector should be carried out as for CO detectors in response mode 2 and for heat detectors in response mode 5. Both CO and heat sensors must be tested in modes 1, 3 and 4.
4. The CO/Heat Multisensor Detector can not be tested with Discovery Test Set.

Discovery CO/Heat Multisensor Detector response modes

Mode	CO Sensitivity (ppm)*	Temperature Sensitivity	Response Type	Minimum Time to Alarm (seconds)
1	30	>21°C increase	Multisensor	20
2	33	Not set to heat response	Carbon Monoxide	30
3	40	>21°C increase	Multisensor	20
4	45	>21°C increase	Multisensor	20
5	No response to CO	A1R**	Heat Rate of Rise; Static limit of 58°C	15

*Includes compensation of the sensor

**Response is A1R to EN 54-5 with a fixed upper threshold of 58°C
Mode 1-4 are designed to comply with prEN 54-30

Table 6

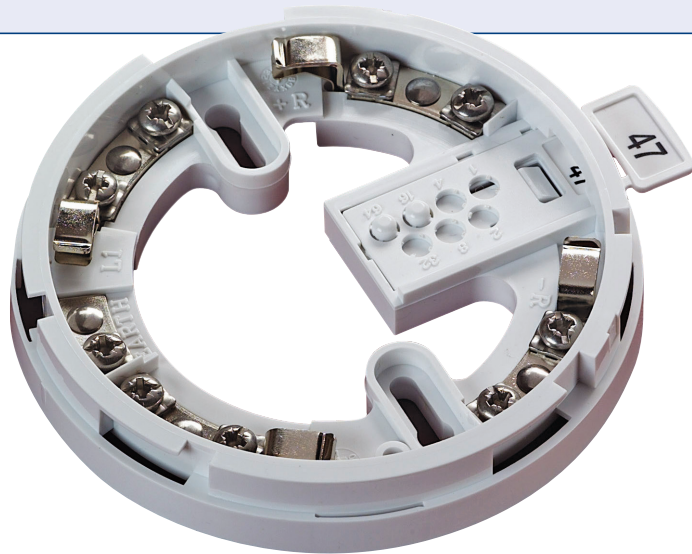
TECHNICAL DATA

Discovery CO/Heat Multisensor Detector

Part No. 58000-305

Specifications are typical at 24V, 23°C and 50% relative humidity unless otherwise stated.

Detector principle:	CO: Ambient carbon monoxide level Heat: Temperature dependent resistance
Supply wiring:	Two-wire supply, polarity sensitive
Terminal functions:	L1 -ve & L2 +ve supply in and out connections +R remote indicator positive connection (internal 2.2kΩ resistance to positive) -R remote indicator negative connection (internal 2.2kΩ resistance to negative)
Operating voltage:	17–28V DC
Communication protocol:	Discovery, XP95 & CoreProtocol compatible 5-9V peak to peak
Quiescent current:	400μA
Power-up surge current:	1mA
Maximum power-up time:	10s
Alarm current, LED illuminated:	3.5mA
Remote output characteristics:	Connects to positive line through 4.5kΩ (5mA maximum)
Sampling frequency:	1 per second
Clean-air analogue value:	25±2
Alarm level analogue value:	55
Alarm indicator:	2 red Light Emitting Diodes (LEDs); illuminated red in alarm; optional remote LED
Storage temperature:	Continuous +10°C to +30°C Transient -40°C to +55°C
Operating temperature:	Continuous 0°C to +50°C Transient -20°C to +55°C
Operating pressure:	Atmospheric pressure ±10%
Humidity:	Continuous 15% to 90% RH Transient 0% to 99% RH (no condensation or icing)
Effect of temperature on CO cell:	Less than 15% change in sensitivity over rated range
Effect of wind on CO cell:	None
CO cell life:	5 Years (assumes regular checks are satisfactory)
Transport pressure:	If air freighted this detector should be carried in a pressurised hold
Vibration, impact & shock:	EN 54-5
Designed to IP Rating:	IP44 in accordance with BS EN 60529
Standards & approvals:	EN 54-5, CPD, LPCB & VNIPO For more information see page 31 or www.apollo-fire.co.uk
Dimensions:	100mm diameter x 54mm height (62mm height with XPERT 7 Mounting Base)
Weight:	Detector 105g Detector with XPERT 7 Mounting Base 160g
Materials:	Housing: White polycarbonate UL94-V0 Terminals: Nickel plated stainless steel



ADDRESSABLE XP95 7 BASE

Part Number 45681-210

All detectors in the Discovery range fit into XP95 addressable XP95 7 bases.

An earth connection is not required for either safety or correct operation of detectors. The ground (earth) terminal is isolated and is provided for tidy termination of grounded conductors or cable screens and to maintain earth continuity where necessary.

All terminals are marked according to their function.

Bases have a wide interior diameter for ease of access to cables and terminals and there are two slots for fixing screws. The slots enable two fixing screws to be located at a spacing of 51mm to 69mm.

Detectors fit into bases one way only, without snagging, and require clockwise rotation without push force to be plugged in.

Universal address cards, known as XP95 cards, are supplied with all bases. Consult the coding guide in the installation instructions to determine which pips are to be removed from the card to give the correct address. Lay the card on a flat surface, pips down, insert a screwdriver into the slot on the reverse of the pip to be removed and give a firm twist.

When the card is coded insert it into the slot in the side of the appropriate base, making sure that the card locks itself into place. As a detector is inserted into the base, the remaining pips operate the address buttons on the detector and the detector electronics reads the address. An anti-tamper screw in the lid locks the detector to the mounting base. A 1.5mm hexagonal driver, Part Number 29600-095 is available from Apollo.

Note:

Also see 'Isolators' on page 25.

The bases are of 100mm diameter and have five terminals:

L1	line in and line out (-VE)	double terminal
L2	line in and line out (+VE)	double terminal
-R	remote LED negative supply	double terminal
+R	remote LED positive supply	double terminal
E	screen/functional earth	single terminal



DISCOVERY MANUAL CALL POINT

Part Numbers:
58200-910
58200-908 (With Isolator)

The Apollo Discovery Manual Call Point has been designed to operate on a loop of intelligent fire detection devices. An alarm is initiated by pressing the resettable element. The manual call point signals to the control and indicating equipment using an interrupt feature within the Apollo digital communication protocol.

An alarm status is indicated by a yellow and black bar in the lower section of the resettable element and a red LED. The manual call point can be easily reset from the front using the supplied reset key. It is available in two versions, with and without isolator. The manual call point is intended for indoor applications.

The address of each call point is set at the commissioning stage by means of an a seven segment DIL switch. The address switch is accessible without removing the call point from the mounting surface.

A red alarm LED is provided on the manual call point. This LED is controlled independently of the manual call point, by the fire control panel.

Once activated, the manual call point can be reset by inserting the reset key into front facing LED, turning clockwise until a positive click and reset occurs. An additional pack of 10 reset keys can be purchased, Part Number 44251-176.

The isolated version of the manual call point incorporates a short circuit isolator which will ensure its operation in the event of a short circuit fault on the loop. Isolator operation is indicated by a yellow LED. For further details of the isolator refer to datasheet PP2090, available on request.

This manual call point helps reduce installation time as all the initial installation cabling is wired to a terminal block which fits neatly in the back of the call point.

To provide additional protection against accidental operation a transparent cover, Part Numbers 44251-189 (single pack) or 44251-175 (pack of 10) can be fitted and is available.

TECHNICAL DATA

Discovery Manual Call Point
Part No. 58200-910, 58200-908 (With Isolator)
Specifications are typical at 24V, 23°C and 50% relative humidity unless otherwise stated.

<i>Call point type:</i>	Deformable element
<i>Call point principle:</i>	Operation of a switch
<i>Alarm indicator:</i>	Red Light Emitting Diode (LED)
<i>Isolator indicator:</i>	Yellow Light Emitting Diode (LED)
<i>Supply wiring:</i>	Two-wire supply, polarity sensitive
<i>Loop connections:</i>	Terminal Block L1 -ve/L2 +ve
<i>Operating voltage:</i>	17–28V DC
<i>Communication protocol:</i>	Discovery, (XP95 & CoreProtocol compatible)* 5-9V peak to peak
<i>Quiescent current:</i>	100µA
<i>Power-up surge current:</i>	1mA
<i>Maximum power-up time:</i>	1s
<i>Alarm current, LED illuminated:</i>	4mA
<i>Normal analogue value:</i>	16
<i>Alarm state value:</i>	64
<i>Temperature range:</i>	–30°C to 70°C
<i>Humidity:</i>	0% to 95% RH (no condensation or icing)
<i>Vibration, impact & shock:</i>	EN 54-11 & EN 54-17 (isolated version)
<i>Designed to IP Rating:</i>	IP24D in accordance with BS EN 60529
<i>Standards & approvals:</i>	EN 54-11, EN 54-17 (isolated version), CPR, LPCB, BOSEC, FG, SBSC & VNIIP0 For more information see page 31 or www.apollo-fire.co.uk
<i>Dimensions:</i>	90mm x 90mm x 61mm
<i>Weight:</i>	180g

* Fire control panel dependant



DISCOVERY WATERPROOF MANUAL CALL POINT

Part Numbers:
58200-950
58200-951 (with isolator)

The Apollo Discovery Waterproof Manual Call Point has been designed to operate on a loop of intelligent fire detection devices. An alarm is initiated by pressing the resettable element. The manual call point signals to the control and indicating equipment using an interrupt feature within the Apollo digital communication protocol. An alarm status is indicated by a yellow and black bar in the lower section of the resettable element and a red LED. The manual call point can be easily reset from the front using the supplied reset key. It is available in two versions, with and without isolator. The waterproof manual call point is intended for outdoor applications or areas where water or high humidity is a problem.

The address of each manual call point is set at the commissioning stage by means of a seven segment DIL switch. The address switch is located at the back of the device, so needs to be done before mounting.

A red alarm LED is provided on the manual call point. The LED is controlled independently of the manual call point, by the fire control panel.

Once activated, the manual call point can be reset by inserting the reset key into front facing LED, turning clockwise until a positive click and reset occurs. An additional pack of 10 reset keys can be purchased, Part Number 44251-176.

The isolated version of the manual call point incorporates a short circuit isolator which will ensure its operation in the event of a short circuit fault on the loop. Isolator operation is indicated by a yellow LED. For further details of the isolator refer to datasheet PP2090, available on request.

To provide additional protection against accidental operation a transparent cover, Part Numbers 44251-189 (single pack) or 44251-175 (pack of 10) can be fitted and is available.

TECHNICAL DATA

Discovery Waterproof Manual Call Point
Part No. 58200-950, 58200-951 (with isolator)
Specifications are typical at 24V, 23°C and 50% relative humidity unless otherwise stated.

<i>Call point type:</i>	Deformable element
<i>Call point principle:</i>	Operation of a switch
<i>Alarm indicator:</i>	Red Light Emitting Diode (LED)
<i>Isolator indicator:</i>	Yellow Light Emitting Diode (LED)
<i>Supply wiring:</i>	Two-wire supply, polarity sensitive
<i>Loop connections:</i>	Terminal Block L1 -ve/L2 +ve
<i>Operating voltage:</i>	17–28V DC
<i>Communication protocol:</i>	Discovery, (XP95 & CoreProtocol compatible)** 5-9V peak to peak
<i>Quiescent current:</i>	100µA
<i>Power-up surge current:</i>	1mA
<i>Maximum power-up time:</i>	1s
<i>Alarm current, LED illuminated:</i>	4mA
<i>Normal analogue value:</i>	16
<i>Alarm state value:</i>	64
<i>Temperature range:</i>	-40°C to 70°C
<i>Humidity:</i>	0% to 95% relative humidity (no condensation or icing)
<i>Vibration, impact & shock:</i>	EN 54-11 & EN 54-17 (isolated version)
<i>Designed to IP Rating:</i>	IP67 in accordance with BS EN 60529
<i>Standards & approvals:</i>	EN 54-11, EN 54-17 (isolated version), BOSEC, CPR, FG, SBSC, SIL & VNIPO For more information see page 31 or www.apollo-fire.co.uk
<i>Dimensions:</i>	112mm x 112mm x 71mm
<i>Weight:</i>	330g

** Fire control panel dependant



INTERFACES

INTERFACES

A comprehensive range of interfaces for use with Discovery systems is available from Apollo. They are designed to enable fire protection systems to be engineered simply and effectively without the need for custom-designed equipment.

These interfaces are available in three types of housing. The standard interfaces are designed to be surface or flush-mounted while the DIN-rail versions feature enclosures that clip to standard 35mm DIN rails (DIN 46277) or are screwed to the base of a larger enclosure. Miniature interfaces use very compact enclosures for installation into other equipment.

The standard interface range is fitted with bi-directional, short-circuit isolators, except for Mains Switching Input Output Unit Part No. 55000-875. Interfaces fitted with short-circuit isolators allow for easier installation when large numbers of interfaces are required.

The following interfaces may be incorporated into Discovery systems:

- Input/Output Unit provides a relay output and one monitored input
- 3-channel Input/Output Unit provides 3 relay outputs and 3 monitored inputs
- Mains Switching Input/Output Unit switches machinery operating at 230V AC
- Output Unit provides one relay output
- Zone Monitor controls a zone of conventional detectors
- Switch Monitor monitors the operation of a switch
- Switch Monitor Plus monitors the operation of a switch; also incorporates a time delay
- Sounder Controller controls the operation of conventional sounders
- Mini Switch Monitor monitors the operation of a switch and is small enough to fit into other equipment
- Dual Isolator

For further information on the range of compatible interfaces, please refer to Apollo publication PP2025 'Interfaces for Intelligent Systems'.



ISOLATORS

All XP95 isolators and isolating bases are suitable for use with Discovery detectors and manual call points. These are:

Product	Part No.	Literature
Isolating base	45681-284	Datasheet PP2261
Isolator	55000-720	Product guide PP1039
Base for isolator	45681-211	Product guide PP1039

For further information on the use of isolators in Discovery systems, please refer to Apollo publications PP2090 "Short-Circuit Isolation in XP95 and Discovery Fire Detection Systems".



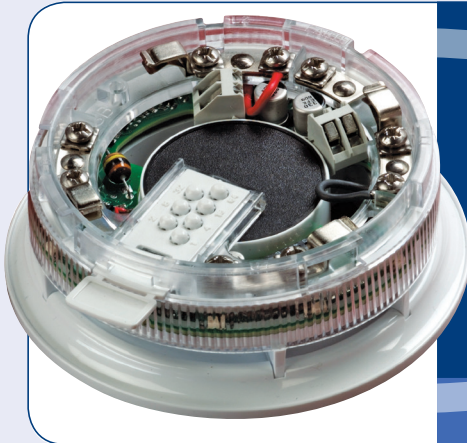
MINIDISC REMOTE INDICATOR

The MiniDisc remote indicator is a light-weight, compact indicator for use in fire protection systems.

The indicator may be used in all installations incorporating Apollo detectors, including Discovery.

The MiniDisc Remote Indicator is only 20mm high and 80mm in diameter. It comprises two parts—the base which is installed onto a wall or soffit and the lid which is fitted to the base with a bayonet lock.

An anti-tamper screw in the lid locks the unit together. A 1.5mm hexagonal driver, Part Number 29600-095, is available from Apollo.



**DISCOVERY
CATEGORY O.
SOUNDER
VAD BASE
WITH ISOLATOR**

Part Number 45681-700

The Discovery Sounder Visual Alarm Device (VAD) Base is a multifunctional device comprising a mounting base for Discovery fire detectors, a sounder, a VAD and a short-circuit isolator.

Application

The Discovery Sounder VAD Base is used to provide audible and visual warning of fire and is controlled by the fire control panel by means of the Discovery protocol. The particular features of this base are available when it is being controlled by the full Discovery or CoreProtocol with the panel programmed accordingly. Information on features should be requested from the panel manufacturer.

The Discovery Sounder VAD Base can be used with a detector fitted or with a cap for operation as a stand-alone alarm device.

The right tone for your installation

The Discovery Sounder VAD Base offers a choice of 15 evacuation tones, including the standard Apollo evacuation tone. One of these tones is selected during commissioning in order to suit local regulations or customs.

The tones include those required by Dutch, Swedish, German, Australian, New Zealand and North American standards as well as the UK.

Whichever evacuation tone is selected there is a secondary tone which may be used for alerting or warning of a possible evacuation.

The right level of sound

The sounder is set during commissioning to one of 7 levels of sound, the highest level being nominally 90dB(A).

At 60dB(A) the lowest level falls outside the scope of the standard, EN 54-3. It has been included to provide a very local warning for the use of personnel in particular environments, such as nurse stations in hospitals.

Flexibility of group addressing

In many installations a fire alarm must be raised by switching more than one sounder VAD to alert or alarm simultaneously. This is achieved with Discovery Sounder VAD Bases by assigning devices to groups on commissioning, with the group information being stored in each device. One command will then switch all devices in the group.

Sounder, VAD or both

The Discovery Sounder VAD Base normally switches both sounder and VAD to provide an alert or evacuation signal. The sounder and VAD can, however, be switched independently of each other by the fire control panel.

Location-specific volume setting

Detectors and sounder VADs are installed in many different types of environment.

When configuring the Discovery Sounder VAD Base the adjustment of volume can be done at the point of installation.

The commissioning engineer simply sets the fire control panel to 'Setup' and then walks from one device to the next to set the required volume, using a magnetic wand, Part Number 29650-001. When all devices have been set the control panel is used to register all the individual volume settings.

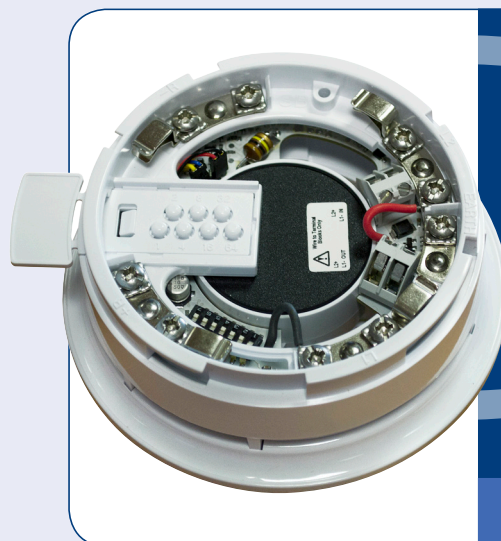
Please note, although Discovery sounders work with XP95 sounders, limitations do apply. Please contact Product Support for more information.

TECHNICAL DATA

Cat O. Discovery Sounder VAD Base with Isolator
Part No. 45681-700
Specifications are typical at 24V, 23°C and 50% relative humidity unless otherwise stated.

Operating voltage:	17–28V DC (polarity sensitive) L1 –ve/L2 +ve	
Communication Protocol:	Discovery, XP95 & CoreProtocol compatible 5-9V peak to peak	
Current consumption at 24V:	switch-on surge, <1s	1.2mA
	quiescent	500µA
	device operated at maximum volume	14mA
Maximum sound output at 90°:	90±3dB(A) Sound pressure level data is published in datasheet PP2203 available from Apollo	
Operating temperature:	–20°C to 60°C	
Humidity:	0% to 95% RH (no condensation or icing)	
Vibration, impact & shock:	EN 54-3, EN 54-17 & EN 54-23	
Designed to IP Rating:	IP21D in accordance with BS EN 60529	
Standards & approvals:	EN 54-3, EN 54-17, EN 54-23, CPR & LPCB For more information see page 31 or www.apollo-fire.co.uk	
Light output:	EN 54-23	

Discovery Sounder Visual Indicator Base is available Part No. 45681-393.
For more information please visit www.apollo-fire.co.uk



DISCOVERY SOUNDER BASE WITH ISOLATOR

Part Number 45681-702

The Discovery Sounder Base with Isolator has identical functionality and sound output to the Discovery Sounder VAD base (Part Number 45681-700), but has no visual alarm capability.

The Discovery Sounder Base with Isolator is a multifunctional device comprising a mounting base for Discovery fire detectors, a sounder and a short-circuit isolator.

27

TECHNICAL DATA

Discovery Sounder Base with Isolator
Part No. 45681-702

Specifications are typical at 24V, 23°C and 50% relative humidity unless otherwise stated.

Operating voltage:	17–28V DC (polarity sensitive) L1 –ve/L2 +ve	
Communication Protocol:	Discovery, XP95 & CoreProtocol compatible 5-9V peak to peak	
Current consumption at 24V:	switch-on surge, <1s	1.2mA
	quiescent	370µA
	device operated at maximum volume	5.5mA
Maximum sound output at 90°:	90±3dB(A) Sound pressure level data is published in datasheet PP2203 available from Apollo	
Operating temperature:	–20°C to 60°C	
Humidity:	0% to 95% RH (no condensation or icing)	
Vibration, impact & shock:	EN 54-3 & EN 54-17	
Designed to IP Rating:	IP21C in accordance with BS EN 60529	
Standards and approvals:	EN 54-3, EN 54-17, CPR, LPCB & VNIPO For more information see page 31 or www.apollo-fire.co.uk	



DISCOVERY OPEN-AREA SOUNDER VISUAL INDICATOR

Part Numbers:
58000-005 (Red)
58000-007 (White)

The Discovery Open-Area Sounder Visual Indicator is an alarm device comprising a Sounder, a Visual Indicator and a short-circuit isolator for use with Discovery detection systems. It is supplied with a mounting base which incorporates a short-circuit isolator.

Application

The Discovery Open-Area Sounder Visual Indicator is used to provide audible and visual warning of fire and is controlled by the fire control panel by means of the Discovery or

CoreProtocol. The particular features of this sounder Visual Indicator are available when it is being controlled by the full Discovery or CoreProtocol with the fire control panel programmed accordingly. Information on available features should be requested from the panel manufacturer.

These are identical to the Discovery Sounder Visual Indicator Base but the Open-Area Sounder Visual Indicator is a wall-mounted stand-alone device that produces a higher sound output of up to 100dB(A).

TECHNICAL DATA

Discovery Open-Area Sounder Visual Indicator

Part No. 58000-005 (Red), 58000-007 (White)

Specifications are typical at 24V, 23°C and 50% relative humidity unless otherwise stated.

Operating voltage:	17–28V DC (polarity sensitive) L1 –ve/L2 +ve	
Communication Protocol:	Discovery, XP95 & CoreProtocol compatible 5-9V peak to peak	
Current consumption at 24V:	switch-on surge, <1s	1.2mA
	quiescent	500µA
	device operated at maximum volume	7.5mA
Maximum sound output at 90°:	100dB(A) Sound pressure level data is published in datasheet PP2203 available from Apollo	
Operating temperature:	–20°C to 60°C	
Humidity:	0% to 95% RH (no condensation or icing)	
Vibration, impact & shock:	EN 54-3 & EN 54-17	
Designed to IP Rating:	IP65 in accordance with BS EN 60529	
Standards & approvals:	EN 54-3, EN 54-17, CPD, LPCB & VNIPO For more information see page 31 or www.apollo-fire.co.uk	



DISCOVERY OPEN-AREA VOICE ALARM DEVICES

Part Numbers:
 Open-Area Voice Sounder
 58000-010 (Red)
 58000-020 (White)
 Open-Area Voice Sounder Visual
 Indicator
 58000-030 (Red)
 58000-040 (White)

The Discovery Open-Area Voice Alarm Devices comprise of a Sounder and a Sounder Visual Indicator. It is supplied with a backbox which incorporates a short-circuit isolator.

Application

The Discovery Open-Area Voice Alarm Devices are used to provide audible and visual warning of a fire condition and are controlled by the fire control panel by means of the Discovery

protocol. This particular feature is only available when being controlled by the full Discovery or CoreProtocol, with the fire control panel programmed accordingly. Information on available features should be requested from the panel manufacturer.

The Discovery Open-Area Voice Alarm Devices offer a choice of 15 evacuation tone/messages pairs available in each device. One of these tone/messages is selected during commissioning in order

to suit local regulations or customs. A fire alarm test message is also available.

Whichever evacuation tone/message is selected there is a secondary tone/message which may be used for alerting or warning of a possible evacuation.

TECHNICAL DATA

Discovery Open-Area Voice Alarm Sounder Devices
 Part No. 58000-010 (Red), -020 (White), -030 (Red), -040 (White)
 Specifications are typical at 24V, 23°C and 50% relative humidity unless otherwise stated.

Operating voltage:	17–28V DC (polarity sensitive) L1 –ve/L2 +ve	
Communication Protocol:	Discovery, XP95 & CoreProtocol compatible 5-9V peak to peak	
Current consumption at 24V:	switch-on surge, <10s	1.9mA
	quiescent	1.4mA
	sounder on	9.5mA
	visual indicator on	8.9mA
	sounder and visual indicator on	13.0mA
Maximum sound output at 90°:	tone	97dB(A)
	voice	92dB(A)
	Sound pressure level data is published in datasheet PP2203 available from Apollo on request	
Operating temperature:	–20°C to 60°C	
Humidity:	0% to 95% RH (no condensation or icing)	
Vibration, impact & shock:	EN 54-3 & EN 54-17	
Designed to IP Rating:	IP21C in accordance with BS EN 60529	
Standards and Approvals:	EN 54-3, EN 54-17 & CPD For more information see page 31 or www.apollo-fire.co.uk	

APPLICATION OF DISCOVERY DETECTORS

The process of designing a fire detection system using Discovery detectors is the same as that used for any other detector range, except that Discovery offers more choices to the system designer. The principles set out in relevant codes of practice such as BS 5839-1 should be followed in any system design. The notes below are intended to supplement the codes of practice and to give some specific guidance on the choices available with the Discovery range.

Choice of detector type

The choice of detector from the Discovery range follows the well-established principles of system design. That is, the optimum detector type will depend on the type of fire risk and fire load, and the type of environment in which the detector is sited.

For general use, smoke detectors are recommended since these give the highest level of protection. Smoke detectors from the Discovery range may be ionisation, optical or multisensor types. The most widely used single-sensor detector is the optical smoke detector. For the greatest versatility in designing fire detection systems the optical/heat multisensor is the detector of choice.

Ionisation smoke detectors are excellent at detecting small particle smoke and providing early warning of a fire but they must be used in an environmentally friendly way. See 'Safety Note' on page 13.

The optical/heat multisensor is basically an optical smoke detector and will therefore respond well to the smoke from smouldering fires. In response modes 1, 3 and 4, however, (ie, in the multisensor modes) the detector also senses air temperature. This temperature

sensitivity allows the multisensor to give a response to fast burning (flaming) fires which is similar to that of an ionisation detector. The multisensor can therefore be used as an alternative to an ionisation detector while still retaining the benefits of an optical smoke detector.

The relative performance of the six detector types for different fire types is given in Table 8.

Where the environment is smoky or dirty under normal conditions, a heat detector may be more appropriate. It must be recognised, however, that any heat detector will respond only when the fire is well established and generating a high heat output. The Discovery heat detector can be used in a wide range of conditions by selecting the correct mode (see Table 9).

Choice of response mode

A major objective in designing a detection system is to achieve the best detection performance while keeping the number of unwanted alarms at a low level. Unwanted alarms are normally caused by environmental influences. For any given environment, unwanted alarms will, as a rule, be more frequent for detectors of higher sensitivity.

It has already been pointed out that the response modes for Discovery detectors correspond to different sensitivity to fire, with response mode 1 being more sensitive than mode 5. It follows, then, that Discovery detectors set to mode 1 will be most suitable for environments in which sources of unwanted alarms are rare. Such environments include cleanrooms and computer suites. At the other extreme, response mode 5 will be suited to more dusty or smoky environments such as loading areas where diesel forklift trucks are operating. Response mode 3 is a general-purpose setting for which

the response is similar to that of the corresponding XP95 detector.

It will be seen, then, that it is often more useful to think of particular response modes being suited to different environments rather than simply having different sensitivity to fire. Table 9 shows response modes for Discovery detectors that are considered suitable for different environment types. Any of those identified as suitable should give acceptable performance. The recommended detector/mode combinations will give the best available performance from Discovery.

Time-related systems

Discovery detectors are particularly useful for installations in which it is desirable to set different detector response characteristics at different times of the day because of changes in the environment. For example, if an industrial process generates smoke or fumes during working hours and the area is clean at other times the optimum response mode will be different at different times of the day. Outside working hours the sensitivity can be switched to a higher level to maintain maximum protection.

The Discovery multisensor is especially suitable for time-related systems. Because its response can be switched from a pure heat response to a sensitive multisensor smoke response, it can be optimised for very clean or dirty (smoky) environments. However, if mode switching between heat and smoke (or multisensor) modes is used, it is important to remember that the area coverage in the heat-only mode is less than that of the smoke or multisensor modes.

The detector spacing must therefore be based on the heat detector spacing of the relevant standard.

Relative performance of detectors in test fires

	Optical	Multisensor	Ionisation	CO/Heat	CO	Heat
Overheating/thermal decomposition	Very good	Very good	Poor	Very poor	Very poor	Very poor
Smouldering/glowing combustion	Good	Good	Moderate/good	Excellent	Excellent	Very poor
Flaming combustion	Good	Good	Very good	Moderate	Poor	Poor
Flaming with high heat output	Good	Very good	Very good	Very good	Moderate	Moderate/good
Flaming – clean burning	Very poor	Moderate/good	Poor	Moderate/good	Very poor	Moderate/good

Table 8

Discovery response mode selection grid

	Cleanroom EDP suite					Hotel room; Studio apartment; small flat (<50m ²)					Office; Hospital wards; Light industrial factory					Warehouse; Bar					Loading bay; Car park (enclosed & ventilated)					Kitchen; Laundry					Boiler room				
Mode	1	2	3	4	5	1	2	3	4	5	1	2	3	4	5	1	2	3	4	5	1	2	3	4	5	1	2	3	4	5	1	2	3	4	5
OPTICAL																																			
MULTI																																			
ION																																			
CO/HEAT																																			
CO																																			
HEAT																																			

KEY ■ Recommended ■ Suitable S Suitable as supplement

Table 9

Maintenance of detectors

Detectors should be maintained according to BS 5839-1 or other locally applicable code. Test equipment can be ordered from Apollo for testing smoke and heat detectors.

Detectors should not be cleaned in the field except for careful removal of exterior dirt with a damp cloth. For cleaning and recalibration detectors should be returned to Apollo Fire Detectors or to the local distributor.

Fire control panel compatibility

Discovery detectors are designed to be operated with purpose-designed control and indicating equipment that makes full use of their features. Discovery can, however, be connected to any fire control panel which can operate existing ranges of Apollo analogue addressable detectors with the previously noted rule, that the control and indicating equipment must not have a drift algorithm operating on Discovery devices. Contact the fire control panel manufacturer for guidance. For a list of compatible fire control panel manufacturers, visit our website www.apollo-fire.co.uk/controlpanels.

Standards and approvals

The Discovery range of detectors and bases are approved by a large number of certification bodies. These include approvals to EN 54-3, EN 54-5, EN 54-7, EN 54-11, EN 54-17, EN 54-23, CPD, CPR, LPCB, VdS, AFNOR, BOSEC, FG, SBSC, SIL, VNIPO and others. Discovery is also approved to both North American (UL, FM) and marine standards. For further information on approvals held by Apollo contact us on sales@apollo-fire.com, or by visiting the website www.apollo-fire.co.uk

Discovery complies with the requirements of a number of European New Approach Directives such as the EMC Directive 2004/108/EC, the Construction Products Directive 89/106/EEC and Construction Products Regulation 305/2011. Visit the Apollo website to download EC certificates of conformity issued by the Notified Bodies.

All Discovery products will comply with the marking requirements of the WEEE Directive, 2002/96/EC. For further information on disposing of applicable electrical and electronic waste contact Apollo directly.



For more information on any of the products mentioned in this engineering guide, please refer to the following literature which is available on request or on the Apollo website at www.apollo-fire.co.uk

Publication Name	Publication No.
Interfaces for Intelligent Systems brochure	PP2025
Discovery Open-Area Voice Alarm devices leaflet	PP2416
Discovery Open-Area Sounder Visual Indicator datasheet	PP2335
Discovery Sounder Visual Indicator Base datasheet	PP2334
Integrated Base Sounder datasheet	PP2209
Ancillary Base Sounder datasheet	PP2148
Loop-Powered Visual Indicator datasheet	PP2156
Short Circuit Isolation in XP95 and Discovery Fire Systems datasheet	PP2090
Discovery Programmer datasheet	PP2066
Discovery Carbon Monoxide Fire Detectors datasheet	PP2089
Isolating Base datasheet	PP2261

APOLLO FIRE DETECTORS LIMITED

Apollo Fire Detectors Limited is part of the Halma plc group of companies and one of the world's leading manufacturers of conventional and analogue addressable smoke and heat detectors for commercial and industrial applications. Our products are sold in over 100 countries.

Our detectors hold product approvals worldwide and the company is quality certificated to ISO 9001 : 2008 by the LPCB.

The company's EMEA headquarters are located in Havant on the south coast of England. We welcome visitors to see detectors being manufactured in our factory.

Information in this guide is given in good faith, but Apollo Fire Detectors Limited cannot be held responsible for any omissions or errors. The company reserves the right to change specifications of products at any time and without prior notice.

© Apollo Fire Detectors Limited 2015



INVESTOR IN PEOPLE

A HALMA COMPANY



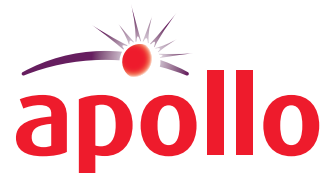
Assessed to ISO 9001:2008
LPCB Cert No. 010



Certificate No. 010
See www.RedBookLive.com



Assessed to ISO 14001:2004
Certificate number EMS 010



36 Brookside Road, Havant,
Hampshire, PO9 1JR, UK.

Tel: +44 (0)23 9249 2412
Fax: +44 (0)23 9249 2754

Email: sales@apollo-fire.com
Web: www.apollo-fire.co.uk